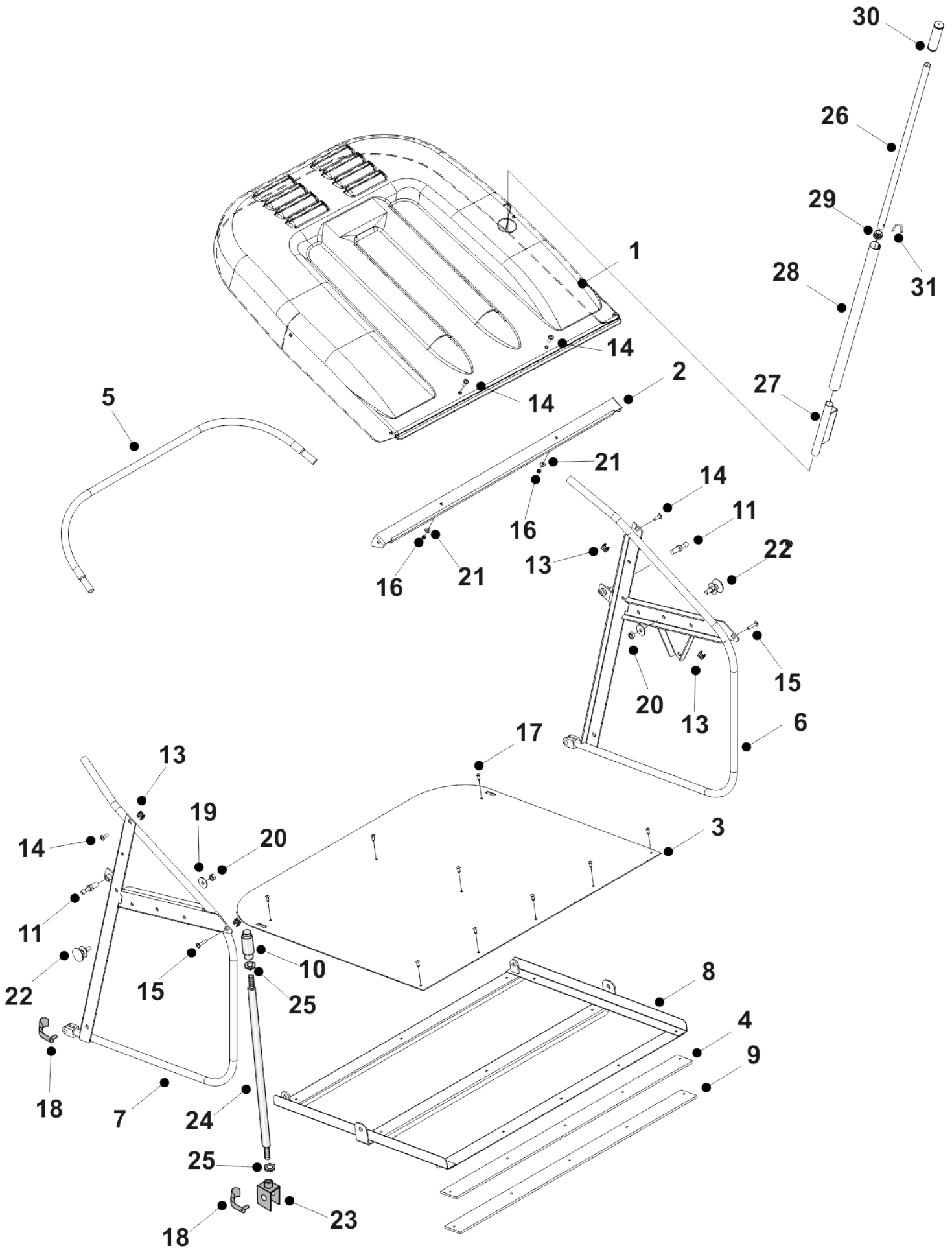


**C330 TRACTOR PGC
COLLECTOR NET 2008**



1	148987300	C330 PGC PLASTIC LID 2008
2	301201200	C330 NET FRONT STIFFENER
3	408800300	THIS PART IS IN THE, PART NO: 408800300 KIT
4	148987400	OBSOLETE
5	178975000	MINI NET BACK TUBE
6	327812700	NEW PART NO: 327812701 NET L/H SIDE FRAME
7	327812600	NEW PART NO: 327812601 NET R/H SIDE FRAME
8	321228400	C330 NET FLOOR WELD ASSY
9	301201600	OBSOLETE
10	183024900	QUICK RELEASE BALL JOINT
11	183010300	Q.R. BALL END SHAFT
13	049382600	M5 CAGE NUT 3MM MAT
14	019479500	M5 X 16MM FLANG BUTT HD SCKT DRIVE SCREW
15	018003700	FLANGED BUTTON HEAD BOLT - V2050 BONNET
16	04885900	M5 NYLOC NUT
17	12860100	RIVET 4.8 X 16MM ALLOY POP 1031-4816
18	108000500	10MM SPRING PIN SHORT
19	08819500	WASHER 5/16 T3 LP ZINC PLATED
20	04920100	M8 NYLOC NUT
21	088002800	M5 WASHER FORM C O/D 12.5MM
22	183536700	C SERIES NET TURNED PIVOT
23	108000600	10MM X 1.5 CLEVIS SHORT
24	183010402	ADJUSTER LINK ROD
25	04872100	M10 LOCKNUT
26	179548200	PGC TIPPING HANDLE 2008
27	327814700	NEW PART NO: 327814701 PGC TIPPING HANDLE BRACKET
28	144000100	PGC HANDLE PLASTIC SLEEVE
29	148987000	22MM PLASTIC BUNG TI6
30	148987100	RUBBER HANDLE GRIP IG166
31	118161800	NEW PART NO: 12824400 POP RIVET 5MM X 10MM