

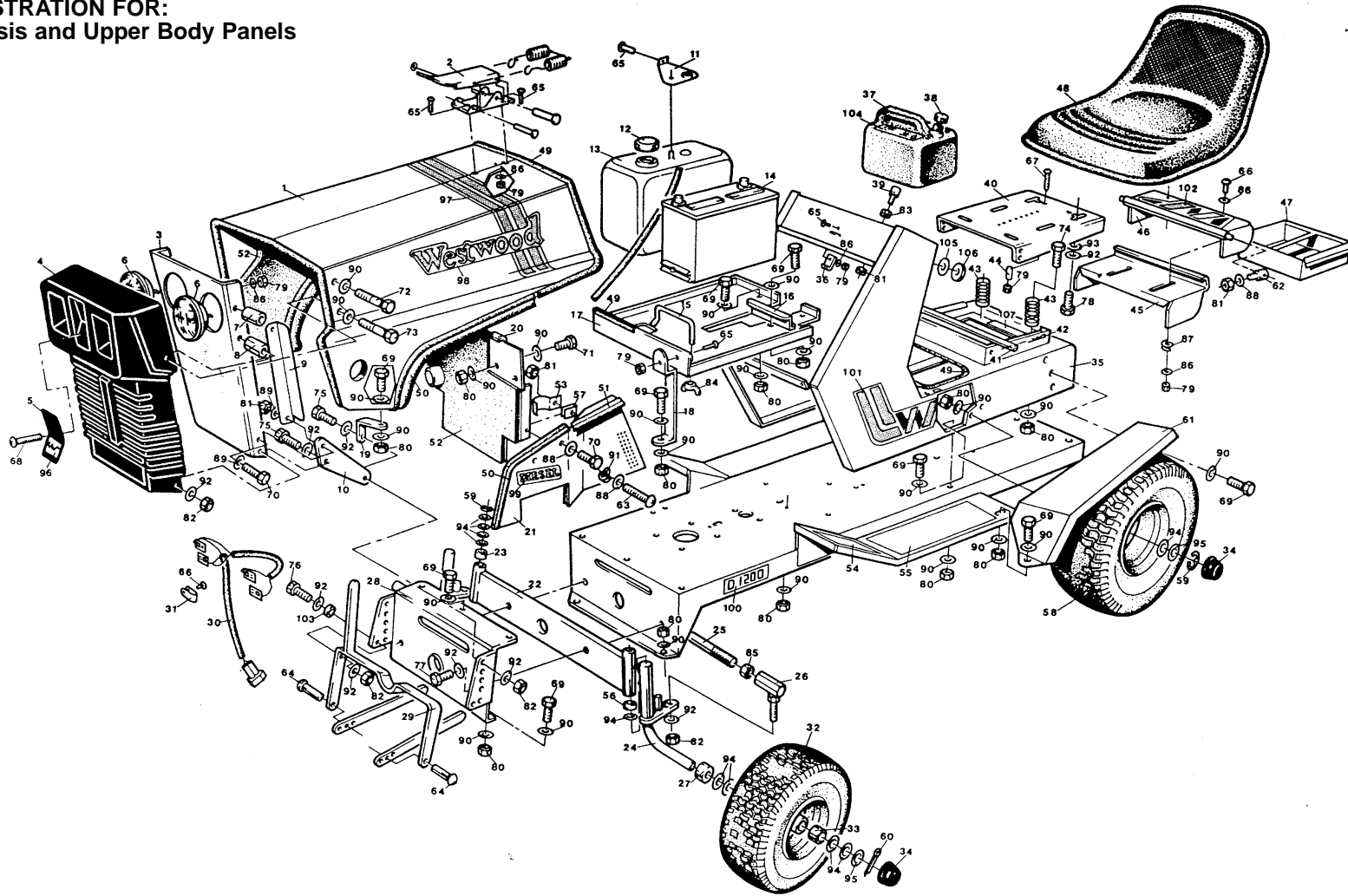


WESTWOOD GARDEN TRACTORS 1988 PARTS CATALOGUE

CONTENTS

	PAGE No.
TRACTOR CHASSIS & UPPER BODY PANELS	2 – 4
STEERING, ENGINE, GEAR CHANGE & ELECTRICAL CONTROLS	5 – 7
TRACTOR CHASSIS, PTO, BRAKE & CUTTER ENGAGE CONTROLS	8 – 10
30" SIDE DISCHARGE CUTTER DECK	11 – 12
36" STANDARD CUTTER DECK	13 – 14
36" AND 42" CONTRA-ROTATING CUTTER DECK	15 – 16

**PARTS ILLUSTRATION FOR:
Tractor Chassis and Upper Body Panels**



PARTS LIST FOR: Tractor Chassis and Upper Body Panels

Item	Part No	Description	Qty
1	3633	Bonnet Assembly (T1600 only)	1
	3634	Bonnet Assembly (S Series)	1
	3661	Bonnet Assembly (D1200 only)	1
	3681	Bonnet Assembly (T Series)	1
2	1490	Bonnet Catch Assembly	1
3	3526	Grille Plate (Back)	1
4	2344	Grille (S Series)	1
	1492	Grille (T Series)	1
5	1495	Grille Plate (Front)	1
	3749	Grille Finisher (Plastic) (S Series)	1
6	3727	Headlamp	2
7	3527	Spacer	2
8	3528	Spacer	2
9	3626	Exhaust Heat Shield	1
10	3958	Bracket, Grille Mounting	2
11	3958	Bracket, Fuel Tank	1
12	3963	Cap, Fuel Tank	1
13	3960	Fuel Tank	1
14	1209	Battery Type 138	1
15	3410	Bracket, Grille Mounting	2
16	3411	Battery Clamp Bracket	1
17	3416	Battery/Fuel Tank Tray	1
18	3407	Support Bracket	1
19	3466	Support Bracket (Side Panels)	2
20	3832	Rear Engine Cowling (D1200 only)	1
21	3544	Side Panel LH (D1200 only)	1
	3545	Side Panel RH (D1200 only)	1
22	3328	Axle Beam	1
23	1980	Spacer, Stub Axle	2
24	2287	Stub Axle LH	1
	2291	Stub Axle RH	1
25	1550	Track Rod	1
26	1551	Ball Joint	1
27	1980	Spacer, Front Wheel	2
28	2249	Chassis Front Bracket	1

Item	Part No	Description	Qty
29	2329	Hitching Bracket (30" Cutter Decks)	1
	3944	Hitching Bracket (42" Cutter Decks)	1
30	3512	Headlamp Wiring Harness	1
31	3716	Cable Clip	1
32	1749	Front wheel Assembly (S Series)	2
	1541	Front Wheel Rim (S Series)	2
	1163	Front Tyre (S Series)	2
	1201	Front Inner Tube (S Series)	2
	2796	Front Wheel Assembly (T Series)	2
	1541	Front Wheel Rim (T Series)	2
	1539	Front Tyre (T Series)	2
	1540	Front Inner Tube (T Series)	2
33	3354	Bush Oilite	4
34	4230	Hub Cap	4
35	3658	Body Assembly	1
36	3519	Bonnet Catch Hook	1
37	1658	Fuel Can	1
38	1659	Fuel Can Cap	1
39	2963	Gear Lever Stop Pin	1
40	2912	Seat Plate	1
41	2067	Seat Plate Pin	1
42	1225	'R' Clip	1
43	2808	Seat Spring	2
44	3290	Boss, Seat Spring Retaining	2
45	3532	PTO Flap (Inner)	1
46	3531	PTO Flap (Outer)	1
47	2919	Tool Tray	1
48	1660	Seat	1
49	4229	Beading	PER FOOT
50	3584	Rubber Seal (Top Trim) (D1200 only)	PER FOOT
51	3583	Rubber Seal (Side Trim) (D1200 only)	PER FOOT
52	2792	Sound Insulation (D1200 only)	PER SHEET

Item	Part No	Description	Qty
53	1818	Cable Clip	2
54	3763	Footgrip (Small)	2
55	3762	Footgrip (Large)	2
56	3355	Bush Flange 3/4" ID x 1 1/4" long	4
57	4118	'J' Nut Size 12	2
58	1746	Rear Wheel Assembly (S Series)	2
	1662	Rear Wheel Rim (S Series)	2
	1747	Rear Tyre (S Series)	2
	1748	Rear Inner Tube (S Series)	2
	1586	Rear Wheel Assembly (T Series)	2
	1662	Rear Wheel Rim (T Series)	2
	1587	Rear Tyre (T Series)	2
	1588	Rear Inner Tube (T Series)	2
59	1663	'E' Clip	3
60	1227	Split Pin 1/8" Dia x 1 3/4" long	2
61	1501	Mudguard LH	1
	1502	Mudguard RH	1
62	3516	Hinge Pin	2
63	1338	Self Tapping Screw No.12 x 1" long	2
64	3349	Pin, Hitch Mounting	2
65	1734	Machine Screw 2BA x 1/2" long	5
66	1735	Machine Screw 2BA x 3/4" long	2
67	4215	Machine Screw 2BA x 1 1/4" long	2
68	3764	Machine Screw 2BA 2 1/4" long	1
69	1982	Setscrew 5/16" UNF x 3/4" long	22
70	1156	Setscrew 1/4" UNF x 3/4" long	2
71	1327	Bolt 5/16" UNF x 1" long	2
72	1318	Bolt 5/16" UNF x 2" long	2
73	1978	Bolt 5/16" UNF x 2 1/2" long	2
74	2014	Bolt 3/8" UNF x 3/4" long	2
75	1966	Bolt 3/8" UNF x 1" long	4
76	1054	Bolt 3/8" UNF x 1 1/2" long	2
77	1267	Bolt 3/8" UNF x 2 1/2" long	2
78	2034	Setscrew 3/8" UNC x 3/4" long	4
79	1053	Nut 2BA Nyloc	10



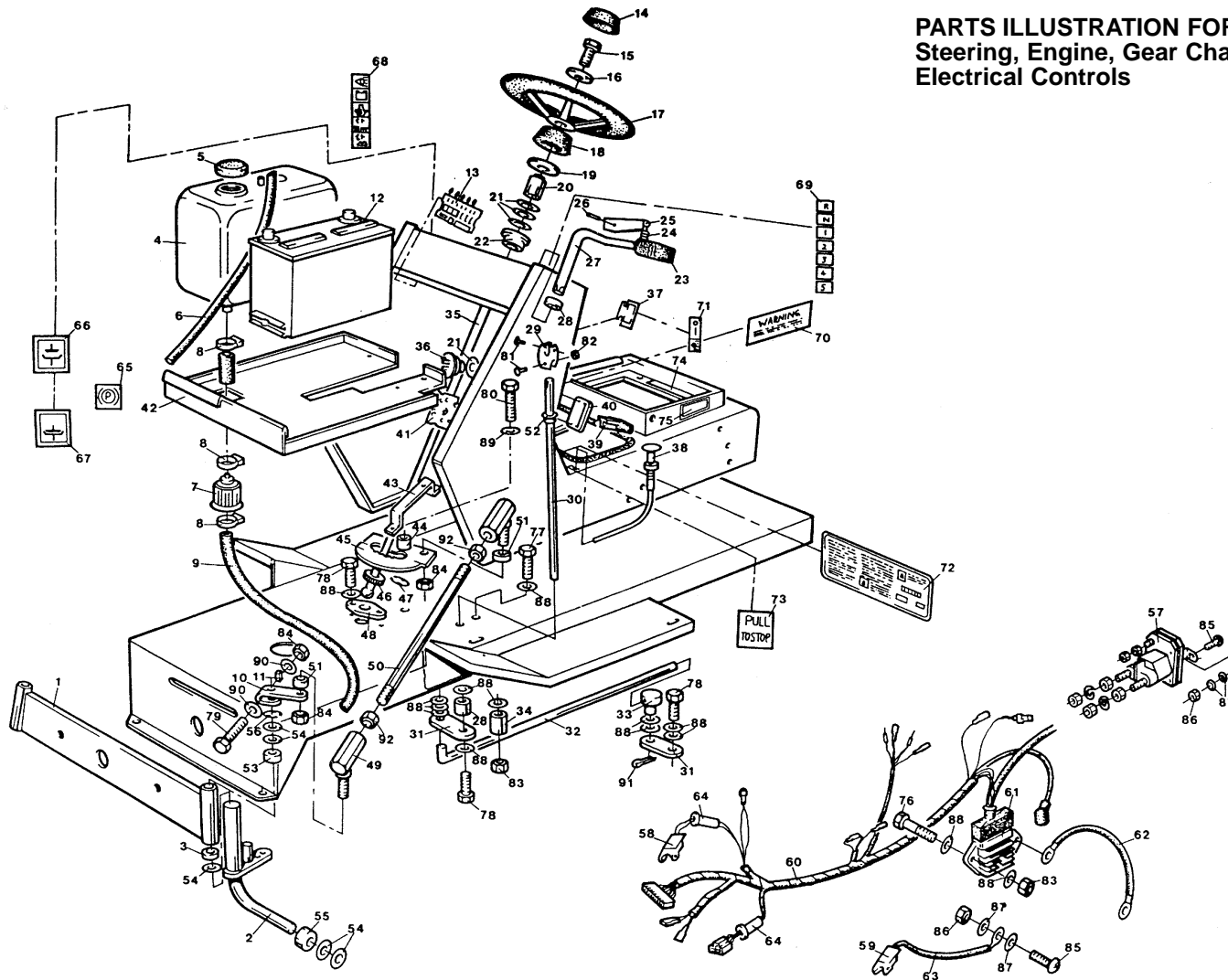
**PARTS LIST FOR:
Tractor Chassis and Upper Body Panels**

Item	Part No	Description	Qty
80	1273	Nut $5/16$ " UNF Nyloc	28
81	1270	Nut $1/4$ " UNF Nyloc	5
82	1324	Nut $3/8$ " UNF Nyloc	12
83	3765	Nut $1/4$ " UNF Plain	1
84	3717	Wing Nut $1/4$ " UNF	1
85	1991	Locknut $1/2$ " UNF	2
86	1962	Washer 2BA	8
87	1973	Washer 2BA, Coil Spring	2
88	1331	Washer $1/4$ " Dia (T3L)	5
89	3620	Washer $1/4$ " Dia (T3H)	4
90	1105	Washer $5/16$ " (T3L)	52
91	3799	Washer $1/4$ " Coil Spring	2
92	1323	Washer $3/8$ " Si (T3L)	22
93	1633	Washer $3/8$ " Dia Internal Shakeproof	4
94	3712	Shim Washer 20g	As reqd.
	3713	Shim Washer 16g	As reqd.
95	3908	Hubcap Washer	4
96	3445	Logo (Small W)	1
97	3443	Bonnet Stripes 'S' Series	1
	3421	Bonnet Stripes 'T' Series	1
98	3422	Westwood Bonnet Logo	2
	3423	Westwood Bonnet Logo (T1600 only)	2
99	3448	'DIESEL' Logo (D1200 only)	2
100	3449	'S600' Logo	2
	3798	'S1100' Logo	2
	3446	'T1100' Logo	2
	3477	'T1200' Logo	2
	3448	'D1200' Logo	2
	3451	'T1600' Logo	2
101	3424	Console Stripe and Logo (LH and RH)	Pair
102	3444	Logo, Large (W)	1
103	1680	Spacer	2
104	3440	Label 'Safety First'	1
105	1976	Washer $5/8$ " ID x 1" OD	2
106	2065	Nut, Ignition Switch	2
107	3442	Warning Label 'Switch off Engine'	1

Item	Part No	Description	Qty

Item	Part No	Description	Qty

**PARTS ILLUSTRATION FOR:
Steering, Engine, Gear Change and
Electrical Controls**



PARTS LIST FOR: Steering, Engine, Gear Change and Electrical Controls

Item	Part No	Description	Qty
1	3328	Front Axle Beam	1
2	2287	LH Stub Axle	1
	2291	RH Stub Axle	1
3	3355	Bush Flanged Nylon	4
4	3960	Fuel Tank	1
	3964	Fuel Tank (D1200 only)	1
5	3963	Cap Fuel Tank	1
6	2822	Fuel Pipe (D1200 only)	As reqd.
7	2813	Fuel Filter	1
8	2828	Snapper Clip No.8	6
9	3677	Fuel Line	1
	3962	In-Line Fuel Tap	1
10	2286	Steering Arm	1
11	1098	Woodruff Key No.608	1
12	1209	Battery 12 Volt (Type 138)	1
13	3587	Printed Circuit Board	1
	3586	Printed Circuit Board (D1200 only)	1
14	2059	Cover Steering Wheel	1
15	1334	Bolt 5/16" UNF x 3/4" long	1
16	4808	Washer Flat Hardened	1
17	2367	Steering Wheel	1
18	2780	Steering Wheel Shroud	1
19	4771	Steering Wheel Washer	1
20	4770	Steering Column Spacer	1
21	1976	Washer 5/8" ID x 1" OD	As reqd.
22	3539	Bush Steering Column	1
23	2649	Knob	1
24	2925	Spring	1
25	2884	Gear Lever Latch	1
26	1457	Roll Pin 1/8" Dia x 3/4" long	1
27	2881	Gear Lever Upper	1
28	4809	Spacer 3/4" OD x 33/64" ID x 1/4" thick	As reqd.
29	2883	Knuckle Gear Change	1
30	2882	Gear Shaft Lower	1
31	4718	Gear Change Lever Plate	2

Item	Part No	Description	Qty
32	4719	Gear Change (T Series)	1
	4720	Gear Change (S Series)	1
33	1694	Swivel	1
34	3528	Spacer Gear Stop	1
35	3475	Steering Column	1
36	2703	Ignition Switch	1
37	3561	Switch Headlights	1
38	3559	Choke Control (T1600 only)	1
	3821	Stop Control (D1200 only)	1
39	2010	Knob	1
40	4144	Throttle Plate	1
	4216	Throttle Plate (D1200, T1600 only)	1
	4146	Throttle Plate (S600 only)	1
41	1507	Throttle Control (S600, S1100, T1200)	1
	1808	Throttle Control (T1600 only)	1
	2794	Throttle Control (D1200 only)	1
42	3416	Battery/Fuel Tray	1
43	3401	Bridge, Steering Quadrant	1
44	3400	Bush, Steering Quadrant	1
45	3403	Steering Quadrant	1
46	2276	Steering Gear	1
47	2589	Clip 'E' Spring	2
48	1699	Steering Column Base	1
49	1551	Ball Joint	2
50	2285	Drag Link	1
51	3683	Spacer, Ball Joint	2
52	3541	Bush Gear Change	2
53	1980	Stub Axle Spacer	2
54	3712	Shim Washers 33mm OD x 49/64" ID x 20G	As reqd.
	3713	Shim Washers 33mm OD x 49/64" ID x 16G	As reqd.
55	1980	Front Wheel Spacer	2
56	1663	Clip, 'E' Spring	2
57	1530	Solenoid	1

Item	Part No	Description	Qty
58	2090	Battery Quick Release Connector – Red	1
59	2091	Battery Quick Release Connector – Blue	1
60	3457	Wiring Loom (S600, T1200, T1600)	1
	3458	Wiring Loom (D1200 only)	1
	4717	Wiring Loom (S1100 only)	1
61	2814	Rectifier (D1200 only)	1
62	3731	Earth Lead (D1200 only)	1
63	3460	Battery Earth Lead	1
64	3599	Fuse Holder	2
	4044	Fuse, 10 Amp Anti Surge	2
65	3437	Label Park Brake	1
66	3436	Label Cutter Disengage	1
67	3435	Label Cutter Engage	1
68	3426	Console Lights Indication (T Series)	1
	3427	Console Lights Indication (D1200 only)	1
	3430	Console Lights Indication (S Series)	1
69	3432	Label Gear Position Indicator	1
70	3443	Label – Warning	1
71	3431	Label Headlight Switch	1
72	3425	Label Opearting Instructions	1
	3428	Label Lights Oversticker (D1200 only)	1
	3429	Label 'Ensure Engine' Oversticker (D1200)	1
	3502	Label 'To Stop' Oversticker (D1200 only)	1
73	3604	Label 'Pull to Stop' (D1200 only)	1
	3605	Label 'Choke' (T1600 only)	1
74	3442	Label 'Switch Engine Off'	1
75	4305	Label Seat Safety	1
76	1327	Bolt 5/16" UNF x 1" long	2
77	1321	Bolt 5/16" UNF x 1 1/2" long	1
78	1982	Setscrew 5/16" UNF x 3/4" long	4
79	1267	Bolt 3/8" UNF x 2 1/2" long	1
80	2025	Bolt 3/8" UNF x 2 3/4" long	1
81	3688	Setscrew M5 x 25mm long	2



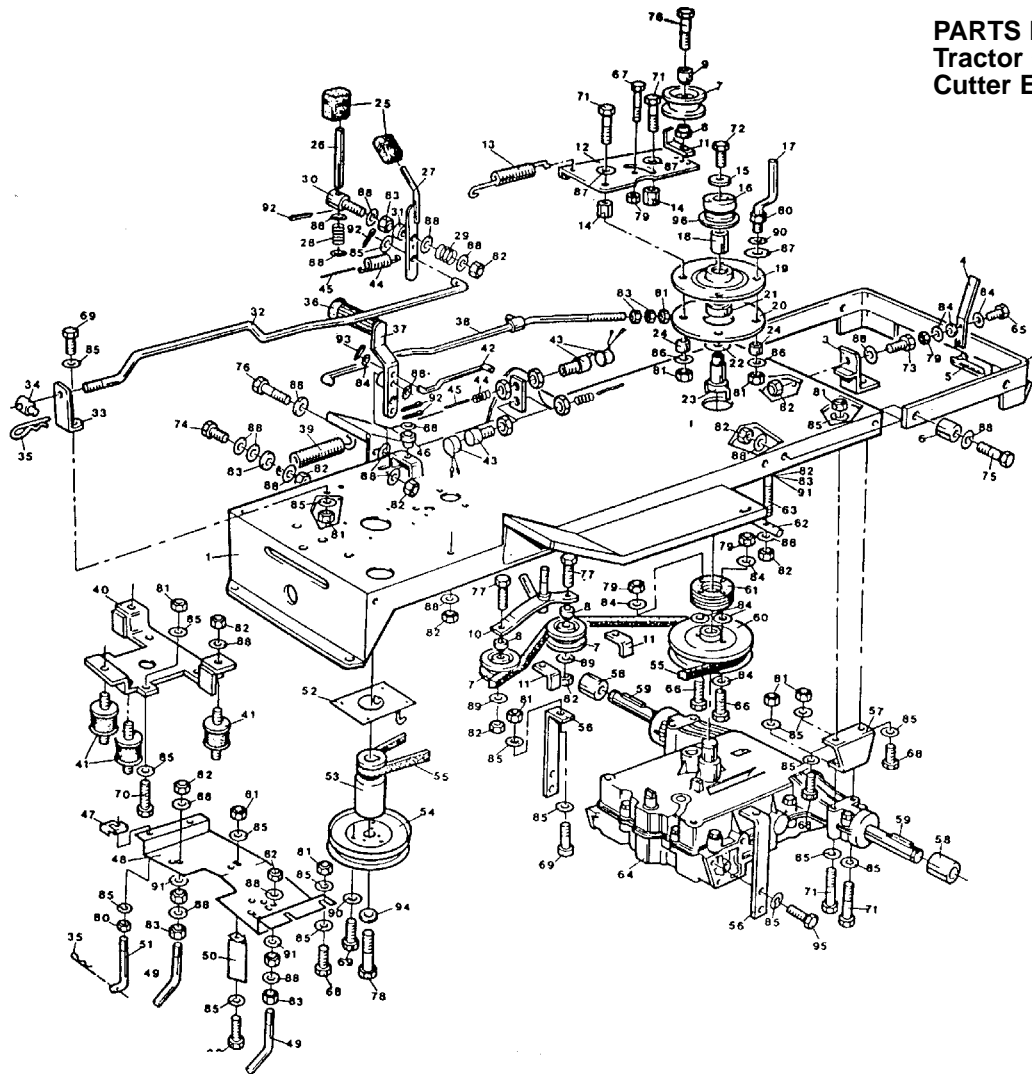
PARTS LIST FOR: Steering, Engine, Gear Change and Electrical Controls

Item	Part No	Description	Qty
82	3689	Nut M5 Nyloc	2
83	1273	Nut $\frac{5}{16}$ " UNF Nyloc	3
84	1324	Nut $\frac{3}{8}$ " UNF Nyloc	4
85	1143	Machine Screw 2BA x $\frac{1}{8}$ " long	
86	1053	Nut 2BA Nyloc	3
87	1962	Washer 2BA	4
88	1105	Washer $\frac{5}{16}$ " Dia (T3L)	18
89	4124	Washer $\frac{3}{8}$ " (T5)	2
90	2847	Washer $\frac{25}{64}$ " Dia x $\frac{7}{8}$ " OD	2
91	1233	Split Pin $\frac{1}{8}$ " Dia x $\frac{3}{4}$ " long	2
92	1991	Locknut $\frac{1}{2}$ " UNF	2

Item	Part No	Description	Qty

Item	Part No	Description	Qty

**PARTS ILLUSTRATION FOR:
Tractor Chassis, PTO, Brake and
Cutter Engage Controls**



PARTS LIST FOR: Tractor Chassis, PTO, Brake and Cutter Engage Controls

Item	Part No	Description	Qty
1	2238	Chassis	1
2	3129	Accessory Mounting Frame	1
3	2246	Tow Hitch	1
4	3478	Lever, Latch Pins	2
5	3682	Latch Pin	2
6	3117	Pivot Bush	2
7	2694	Jockey Pulley	3
8	2306	Shouldered Spacer (Jockey Pulley)	3
9	2788	Shouldered Spacer (PTO Jockey Pulley)	1
10	2715	Jockey Arm	1
11	1706	Belt Guide (Jockey Pulley)	3
12	2786	Jockey Plate	1
13	2791	Spring, Jockey Plate	1
14	2787	Shouldered Spacer (Jockey Plate)	2
15	1006	Hardened Dome Spring Washer	1
16	4337	PTO Drive Pulley	1
17	3378	Belt Guide (PTO)	1
18	4246	Bearing Spacer	1
19	4253	Bearing Housing (Upper)	1
20	3639	Bearing Housing (Lower)	1
21	1180	Bearing	2
22	3618	Washer (T Series only)	1
	4246	Spacer (S Series only)	1
23	4247	PTO Shaft (S Series only)	1
	4248	PTO Shaft (T Series only)	1
24	3748	Spacer, PTO Assembly	4
25	2648	Knob	2
26	2643	Park Brake Plunger	1
27	2644	Engage Lever	1
28	2003	Spring, Park Brake	1
29	1613	Spring, Engage Lever	1
30	2302	Pivot Boss	1
31	3683	Spacer (Engage Lever)	1
32	4340	Engage Rod (S600)	1
	4370	Engage Rod (S1100)	1

Item	Part No	Description	Qty
	1671	Engage Rod (T1200)	1
	3525	Engage Rod (Diesel D1200)	1
	1672	Engage Rod (T1600)	1
33	3538	Guide Bracket (Engage Rod)	1
34	1695	Swivel, Engage Rod	1
35	1225	'R' Clip	2
36	2009	Foot Pedal Rubber	1
37	2845	Foot Pedal Arm	1
38	1710	Brake Operating Rod	1
39	2103	Clutch Spring	1
40	2818	Engine Mounting Plate (D1200 only)	1
41	2812	Flexible Engine Mounts (D1200 only)	3
42	3405	Rod (Brake Safety Switch)	1
43	3414	Safety Switch	2
44	3463	Tension Spring (Safety Switches)	2
45	1878	Chain Link	2
46	3540	Flanged Bush 1/2" OD x 5/16" ID x 1/2" long	2
47	4254	Nut 5/16" Captive	3
48	4255	Plate, Belt Guide	1
49	4256	Belt Guides	2
50	4259	Guard, Finger Protection	1
51	2319	Retaining Pin	1
52	3467	Belt Guide Assembly	
	3468	Belt Guide Assembly (D1200 only)	1
	3469	Belt Guide Assembly (T1600 only)	1
53	2307	Engine Pulley Block (S600 only)	1
	1181	Woodruff Key No.6 (S600 only)	1
	2308	Engine Pulley Block	1
	1602	Drive Key 1/4" square x 1" long	1
54	1558	Cutter Drive Pulley (T1200, D1200, T1600)	1
	3750	Cutter Drive Pulley (S600, S1100/30)	1
55	1688	Transmission Belt (1688-42-5654)	1
56	2831	Bracket, Transaxle Front Support	2
57	3482	Bracket, T/X Rear Support (T Series)	2

Item	Part No	Description	Qty
	3483	Bracket, T/X Rear Support (S Series)	2
58	1715	Spacer, Rear Wheel	2
59	1664	Key Parallel, 3/16" square x 2" long	2
60	3392	Transaxle Pulley	1
	3395	Transaxle Pulley (T1600 only)	1
	1104	Woodruff Key	1
61	3391	Flexible Drive Coupling	1
	3606	Spacers	2
62	3991	Hanger Bar	1
63	3992	Support, Hanger Bar	2
64	2018	Transaxle Type 832	1
	2019	Transaxle Type 801-030 (D1200, T1600 only)	1
65	1156	Setscrew 1/4" UNF x 3/4" long	2
66	2022	Bolt 1/4" UNF x 1 1/4" long	2
67	3396	Bolt 1/4" UNF x 2 1/2" long	1
68	1982	Setscrew 5/16" UNF x 3/4" long	8
69	2031	Setscrew 5/16" UNF x 1" long	6
70	3608	Setscrew 5/16" UNF x 1 1/4" long (D1200 only)	4
71	1978	Bolt 5/16" UNF x 2 1/2" long	4
72	1051	Setscrew 3/8" UNF x 1" (Nyloc) long	1
73	2015	Setscrew 3/8" UNF x 1" long	1
74	1948	Setscrew 3/8" UNF x 1 1/4" long	1
75	1054	Bolt 3/8" UNF x 1 1/2" long	2
76	1267	Bolt 3/8" UNF x 2 1/2" long	2
77	2025	Bolt 3/8" UNF x 2 3/4" long	2
78	2013	Bolt 3/8" UNF x 3 1/2" long (S600, D1200 only)	1
	3755	7/16" UNF x 3 1/2" long (Briggs & Stratton)	1
	3655	M10 x 90mm (KAWASAKI)	1
	4342	7/16" UNF x 4 1/4" long (rionda GXV 340)	1
79	1270	Nut 1/4" UNF Nyloc	5
80	2040	Nut 5/16" UNF Plain	2
81	1273	Nut 5/16" UNF Nyloc	22
82	1324	Nut 3/8" UNF Nyloc	19
83	1422	Nut 3/8" UNF Plain	5
84	1331	Washer 1/4" Dia (T3L)	12



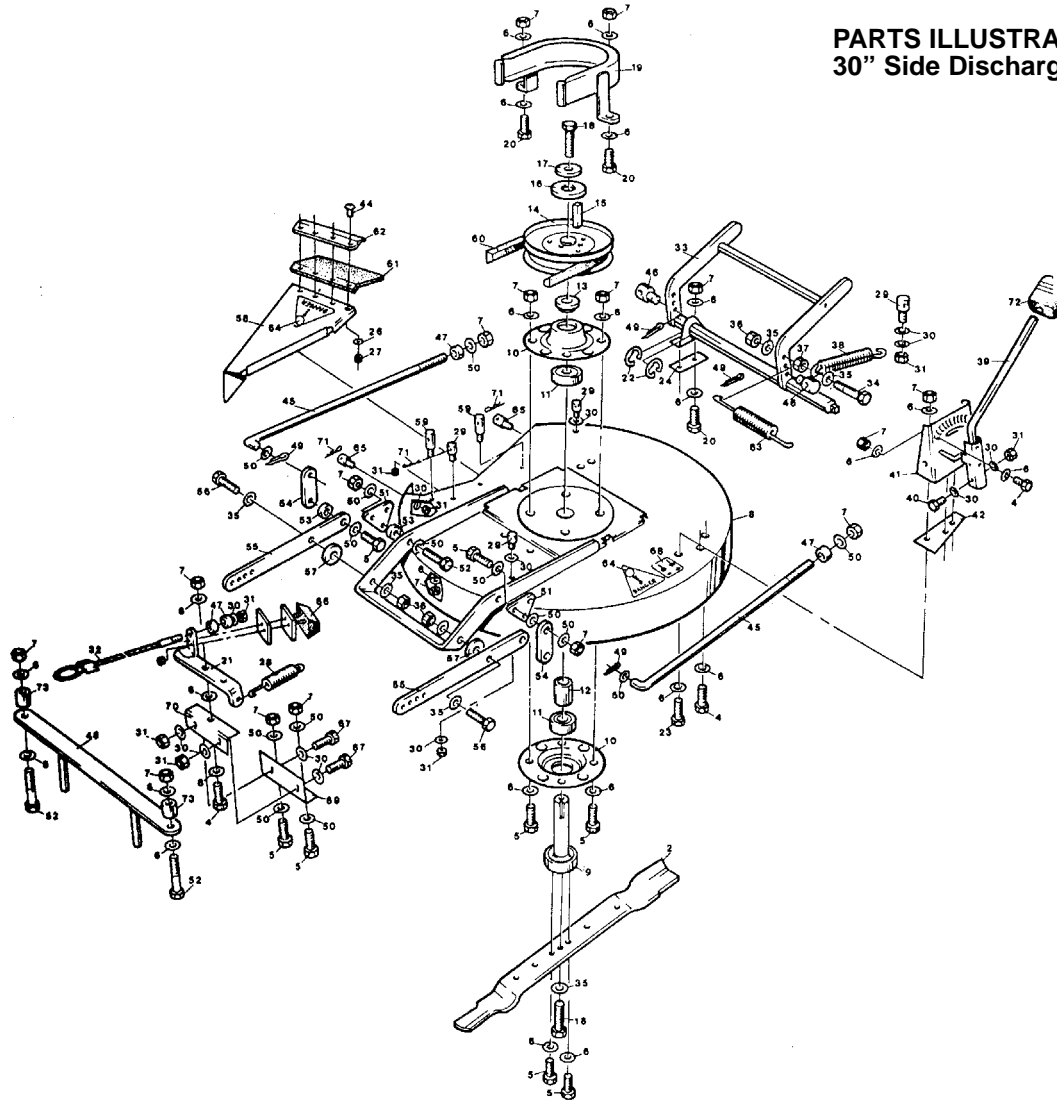
PARTS LIST FOR: Tractor Chassis, PTO, Brake and Cutter Engage Controls

Item	Part No	Description	Qty
85	1105	Washer 5/16" Dia (T3L)	27
86	1970	Washer 5/16" Dia (T4L)	4
87	3613	Washer 5/16" Dia (T5L)	3
88	1323	Washer 3/6" Dia (T3L)	27
89	2847	Washer, Jockey Pulley	3
90	2048	Washer 5/16" Dia Internal Shakeproof	4
91	1633	Washer 3/6" Dia Internal Shakeproof	4
92	1233	Split Pin 1/8" Dia 3/4" long	4
93	3721	Split Pin 2mm Dia x 20mm long	2
94	4125	Washer	1
95	3895	Bolt 5/16" UNC x 3/4" Taptite	1
96	3511	Disc, PTO Drive Belt Support	1

Item	Part No	Description	Qty

Item	Part No	Description	Qty

**PARTS ILLUSTRATION FOR:
30" Side Discharge Cutter Deck**



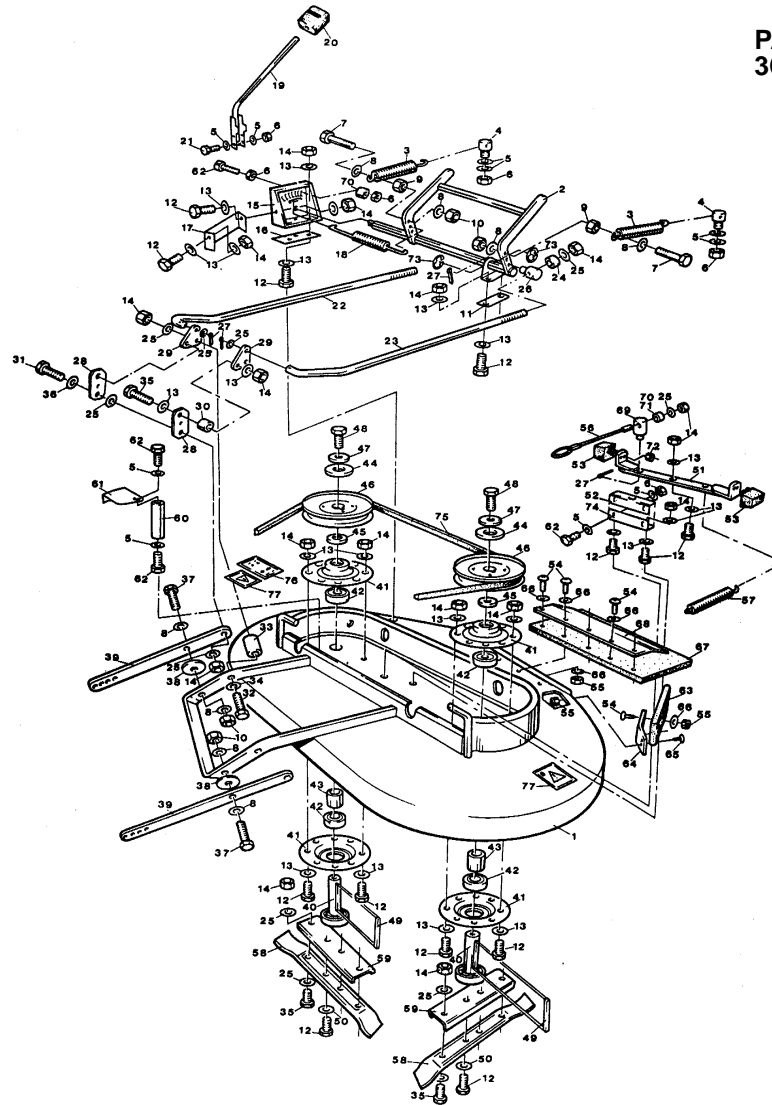
PARTS LIST FOR: 30" Side Discharge Cutter Deck

Item	Part No	Description	Qty
1	4314	Blade Extension, Small (not shown)	2
2	4315	Blade, Heavy Duty	1
3	4317	Blade Extension, Large (not shown)	1
4	2031	Setscrew 5/16" UNF x 1" long	2
5	1982	Setscrew 5/16 UNF x 3/4" long	8
6	1970	Washer 5/16" Plain (T4L)	33
7	1273	Nut 5/16" UNF Nyloc	36
8	3871	Deck, Welded Assembly	1
9	3759	Cutter Shaft Assembly	1
10	3552	Bearing Housing	2
11	1180	Bearing, NSK 6205-RS	2
12	3629	Bearing Spacer	1
13	2412	Pulley Spacer	1
14	4371	Pulley 8" Dia	1
15	3728	Woodruff Key No.806	1
16	3635	Washer, Special	1
17	1006	Washer, Hardened Domed	1
18	1051	Setscrew 3/8" UNF x 1" long Nyloc	1
19	2425	Pulley Guard	1
20	1335	Bolt 5/16" UNF x 1 1/4" long	2
21	3737	Brake Arm	1
22	1663	Circlip	2
23	3608	Setscrew 5/18" UNF x 1 1/4" long	2
24	3781	Spacer Plate	1
25	1956	Screw, Self Tapping No.8 x 1" long	2
26	1962	Washer 2BA Plain (T1)	9
27	1053	Nut 2BA Nyloc	5
28	2103	Tension Spring	1
29	3516	Pin, Spring Retainer	4
30	1331	Washer, 1/4" Plain (T3L)	19
31	1270	Nut 1/4" UNF Nyloc	10
32	3739	Brake Cable Assembly	1
33	3884	Hanger Bar Assembly	1
34	1267	Bolt 3/8" UNF x 2 1/2" long	2
35	1323	Washer 3/8" Plain (T3L)	10

Item	Part No	Description	Qty
36	1324	Nut 3/8" Nyloc	4
37	1969	Nut 5/16" UNF Locknut	2
38	2217	Tension Spring	2
39	3881	Height Adjuster Lever	1
40	2022	Bolt 1/4" UNF x 1/4" long	1
41	3883	Height Adjuster Quadrant	1
42	2429	Reinforcing Plate	1
43	2430	Height Adjuster Stop	1
44	1735	Machine Screw 2BA x 3/4" long	5
45	3734	Hitch Rod	2
46	3740	Pivot, Hitch Rod	2
47	3329	Spacer 5/16" ID x 1/2" OD x 7/16" long	3
48	3746	Belt Guide Assembly	1
49	1667	Split Pin 1/8" Dia x 1" long	2
50	1105	Washer 5/16" Plain (T3L)	12
51	3735	Link Plate	2
52	1321	Bolt 5/16 UNF x 1 1/2" long	2
53	3691	Bush, Link	2
54	3760	Link Plate	2
55	2420	Hitch Bar	2
56	3610	Setscrew 3/8" UNF x 1 1/2" long	2
57	4124	Washer 3/8" Plain (T5)	2
58	3999	Cutter Guard Assembly	1
59	3995	Hinge Pillar	2
60	1767	Drive Belt, 42-5084	1
61	3905	Rubber Flap, Side Chute	1
62	3903	Retaining Plate	1
63	2595	Tension Spring	1
64	2945	Warning Label	2
65	3902	Retaining Pin	2
66	3730	Brake Block	1
67	1156	Setscrew 1/4" UNF x 3/4" long	2
68	3439	Height Adjuster Label	1
69	4319	Brake Arm Support (Fixed)	1
70	4320	Brake Arm Support (Adjustable)	1

Item	Part No	Description	Qty
71	1225	'R' Clip	3
72	2649	Knob	1
73	4372	Spacer 5/16" ID x 3/4" OD x 1/2" long	2

**PARTS ILLUSTRATION FOR:
36" Standard Cutter Deck**





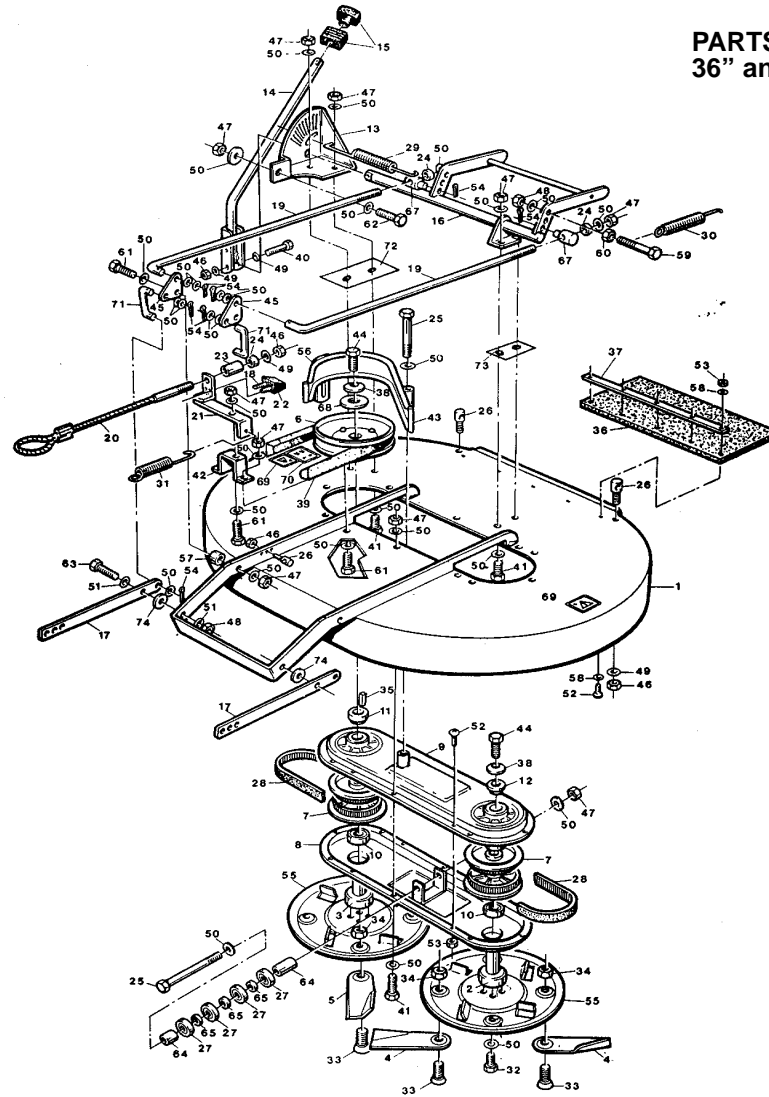
PARTS LIST FOR: 36" Standard Cutter Deck

Item	Part No	Description	Qty
1	2381	Cutter Deck Shell	1
2	2395	Hanger Bar Assembly	1
3	1076	Tension Spring	2
4	3516	Spring Retainer	2
5	1331	Washer 1/4" Plain (T3L)	12
6	1270	Nut 1/4" UNF Nyloc	5
7	1200	Bolt 3/8" UNF x 2 1/4" long	2
8	1323	Washer, 3/8" Plain (T3L)	8
9	3792	Lock Nut 3/8" UNF	2
10	1324	Nut 3/8" UNF Nyloc	4
11	3781	Spacer Plate (Height Adjuster)	1
12	1982	Setscrew 5/16" UNF x 3/4" long	22
13	1970	Washer 5/16" Plain (T4L)	20
14	1273	Nut 5/16" UNF Nyloc	29
15	3753	Quadrant Height Adjuster	1
16	3779	Spacer Plate (Quadrant)	1
17	2339	Height Adjuster Bracket	1
18	2595	Tension Spring	1
19	2646	Height Adjuster Lever	1
20	2649	Knob	1
21	2022	Bolt 1/4" UNF x 1/4" long	1
22	4218	Hitch Rod, RH	1
23	4219	Hitch Rod LH	1
24	3329	Spacer	2
25	1105	Washer 5/16" Plain (T3L)	39
26	3740	Hitch Rod Pilot	2
27	1233	Split Pin 1/8" Dia x 3/4" long	5
28	4225	Link Arm	2
29	3735	Link Plate	2
30	3397	Spacer	2
31	3608	Setscrew 5/16" UNF x 1/4" long	2
32	1318	Bolt 5/16" UNF x 2" long	2
33	4221	Link Bush	2
34	3616	Washer 5/16" Plain (T4H)	2
35	2031	Setscrew 5/16" UNF x 1" long	6

Item	Part No	Description	Qty
36	3621	Washer 5/16" Plain (T3H)	2
37	3610	Setscrew 3/8" UNF x 1/2" long	2
38	4124	Washer 3/8" Plain (T5)	2
39	2410	Hitch Bar	2
40	3759	Cutter Shaft Assembly	2
41	3552	Bearing Housing	4
42	1180	Bearing NSK 6205 – RS	4
43	3629	Bearing Spacer	2
44	3635	Washer 2.375" OD x 30mm ID x 10g	2
45	2412	Pulley Spacer	2
46	3943	Drive Pulley	2
47	1006	Domed Hardened Washer	2
48	1051	Setscrew 3/8" UNF x 1" long Nyloc	2
49	3728	Woodruff Key No.806	2
50	2048	Washer 5/16" Internal Shakeproof	4
51	4224	Brake Arm Assembly	1
52	4320	Brake Arm Bridge (Adjustable)	1
53	3730	Brake Pad	1
54	1735	Machine Screw 2BA x 3/4" long	9
55	1053	Nut 2BA Nyloc	11
56	3739	Brake Cable	1
57	2103	Tension Spring	1
58	2394	Cutter Blade	2
59	3557	Blade Carrier	2
60	3295	Belt Guard Post	1
61	3294	Safety Guard	1
62	1156	Setscrew 1/4" UNF x 3/4" long	4
63	2209	Deflector Rubber	1
64	2208	Deflector Rubber Mounting Plate	1
65	1734	Machine Screw 2BA x 1/2" long	2
66	1962	Washer 2BA Plain (T1)	16
67	4220	Rubber Flap	1
68	4233	Rubber Flap Retaining Strip	1
69	4232	Brake Arm Cable Pillar	1
70	3146	Spacer 0.362" long	1

Item	Part No	Description	Qty
71	3397	Spacer 1/4" long	1
72	1053	Nut 2BA Nyloc	4
	1956	Screw No.8 x 1 long Self Tapping	4
73	1663	'E' Clip	2
74	4319	Brake Arm Bridge Fixed	1
75	1721	Drive Belt	1
76	3439	Height Adjuster Label	1
77	3434	Warning Label	2

**PARTS ILLUSTRATION FOR:
36" and 42" Contra-Rotating Cutter Deck**



PARTS LIST FOR: 36" and 42" Contra-Rotating Cutter Deck

Item	Part No	Description	Qty
1	3766	Deck, Welded Assembly – 36"	1
	3767	Deck, Welded Assembly – 42"	1
2	3706	Cutter Shaft, Short	1
3	3707	Cutter Shaft, Long	1
4	3768	Blade Swinging – 36" LH	2
	3770	Blade Swinging – 42" LH	2
5	3769	Blade Swinging – 36" RH	2
	3771	Blade Swinging – 42" RH	2
6	3548	Pulley Assembly, 7" Dia	1
7	3636	Pulley, Toothed	2
8	3772	Belt Case Lower – 36"	1
	3778	Belt Case Lower – 42"	1
9	4689	Belt Case Upper – 36"	1
	4690	Belt Case Upper – 42"	1
10	1180	Bearing, NSK 6205 – RS	4
11	3775	Bush, Drive Pulley	1
12	3776	Bush, Driven Pulley	1
13	3753	Height Adjuster Quadrant – 36"	1
	3794	Height Adjuster Quadrant – 42"	1
14	2646	Height Adjuster Lever	1
15	2649	Knob	1
16	2395	Hanger Bracket	1
17	2410	Hitch Bar	2
18	1956	Self Tapping Screw, No.8 x 1" long	2
19	3703	Hitch Rod – 36"	2
	2690	Hitch Rod – 42"	2
20	3739	Brake Operating Cable (9 ¹ / ₂ " long) – 36"	1
	3783	Brake Operating Cable (10 ¹ / ₂ " long) – 42"	1
21	4327	Brake Arm – 36"	1
	4326	Brake Arm – 42"	1
22	3730	Brake Pad	1
23	3329	Spacer ⁵ / ₁₆ " ID x ¹ / ₂ " OD x ⁷ / ₁₆ " long	2
24	3397	Spacer ⁵ / ₁₆ " ID x ¹ / ₂ " OD x ¹ / ₄ " long	2

Item	Part No	Description	Qty
25	1933	Bolt ⁵ / ₁₆ " UNF x 3 ¹ / ₂ " long	2
26	3516	Spring Retainer	3
27	2445	Bearing, NSK 6082SR-1QE6	5
28	2659	Toothed Belt, 1280 – 8M20 – 36"	1
	2660	Toothed Belt, 1440 – 8M20 – 42"	1
29	2595	Spring Retainer	3
30	3843	Spring Tension – 36"	2
	2217	Spring Tension – 42"	2
31	2594	Spring Tension	1
32	4107	Setscrew ⁵ / ₁₆ " UNF x ¹ / ₂ " long, Nyloc	8
33	1954	Setscrew, M12 x 20mm CSK	4
34	3585	Locknut M12, Fine Pitch	4
35	1602	Key Parallel ¹ / ₄ " square x 1" long	1
36	3286	Rubber Flap	1
37	3287	Retaining Strip	1
38	1006	Washer Hardened Dome	2
39	2225	Drive Belt – 36" Decks	1
	2226	Drive Belt – T1600/42"	1
	2624	Drive Belt – D1200/42"	1
40	2022	Bolt ¹ / ₄ " UNF x 1 ¹ / ₄ " long	1
41	1982	Setscrew ⁵ / ₁₆ " UNF x ³ / ₄ " long	13
42	4325	Bridge, Brake Arm	1
43	4693	Drive Pulley Guard	1
44	1051	Setscrew ³ / ₈ " UNF x 1" long, Nyloc	2
45	3735	Link Plate	2
46	1270	Nut ¹ / ₄ " UNF, Nyloc	5
47	1273	Nut ⁵ / ₁₆ " UNF, Nyloc	21
48	1324	Nut ³ / ₈ " UNF, Nyloc	4
49	1331	Washer ¹ / ₄ " Plain (T3L)	6
50	1105	Washer ⁵ / ₁₆ " Plain (T3L)	59
51	1323	Washer ³ / ₈ " Plain (T3L)	4
52	1735	Machine Screw, 2BA x ³ / ₄ " long	9
53	1053	Nut, 2BA Nyloc	9
54	1233	Split Pin ¹ / ₈ " Dia x ³ / ₄ " long	8
55	3789	Blade Dish	2

Item	Part No	Description	Qty
56	4694	Bracket, Belt Guard	1
57	3691	Bush, Link	2
58	1962	Washer, 2BA Plain (T1)	14
59	1267	Bolt ³ / ₈ " UNF x 2 ¹ / ₂ " long	2
60	3792	But ³ / ₈ " UNF Plain	2
61	2688	Setscrew ⁵ / ₁₆ " UNF x 1 ¹ / ₄ " long	2
62	2031	Setscrew ⁵ / ₁₆ " UNF x 1" long	2
63	1054	Bolt ³ / ₈ " UNF x 1 ¹ / ₂ " long	2
64	3329	Spacer ⁵ / ₁₆ " ID x ¹ / ₂ " OD x ⁷ / ₁₆ " long	2
65	3338	Spacer ⁵ / ₁₆ " ID x ¹ / ₂ " OD x ¹ / ₈ " long	3
66		Not Allocated	
67	3740	Pivot, Lift Rod	2
68	3635	Washer, Special	1
69	3434	Label – Warning	2
70	3439	Label – Height Adjustment	1
71	3694	Bent Link	2
72	3779	Spacer Plate – Quadrant – 36" only	1
73	3781	Spacer Plate – Hanger Bracket – 36" only	1
74	4124	Washer ³ / ₈ " ID x 1" OD (T5)	3
	4817	Belt Case Assembly – 42" only	
	2444	Bridge Roller Assembly – 42" only	