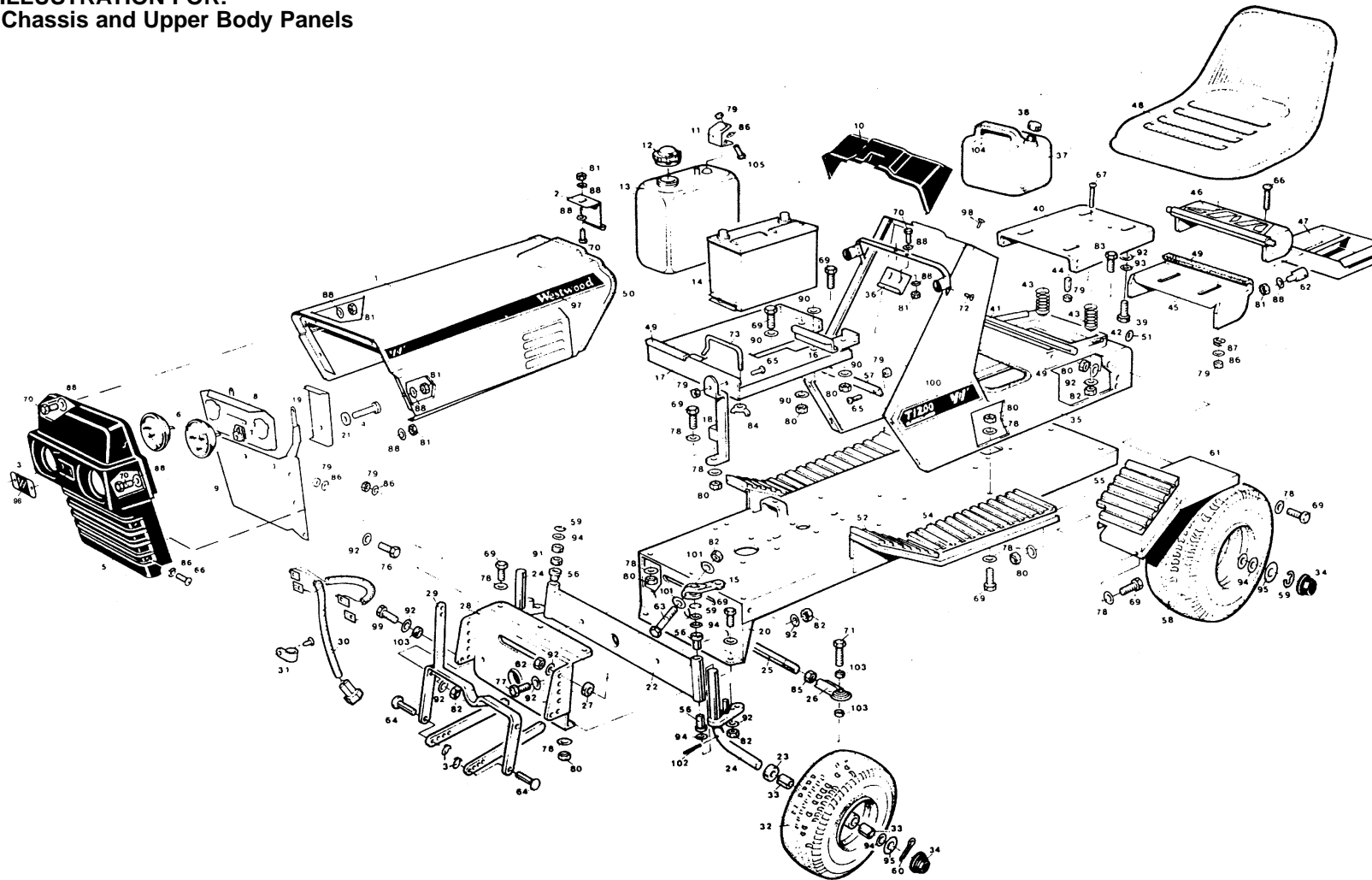


WESTWOOD GARDEN TRACTORS 1990 PARTS CATALOGUE

CONTENTS

	PAGE No.
TRACTOR CHASSIS AND UPPER BODY PANELS	2 – 4
BONNET & GRILLE ASSEMBLY – 16 AND 18 HP ONLY	5 – 6
STEERING, GEAR CHANGE AND ELECTRICAL CONTROLS	7 – 9
TRACTOR CHASSIS, PTO, BRAKE AND CUTTER ENGAGE CONTROLS	10 – 12
S1000 UPPER BODY PANELS, GEAR CHANGE AND CUTTER ENGAGE CONTROLS	13 – 14
30" SIDE DISCHARGE CUTTER DECK	15 – 16
36" STANDARD CUTTER DECK	17 – 18
42" CONTRA-ROTATING CUTTER DECK	19 – 20
CLIPPER CHASSIS, BODY PANELS AND CONTROLS	21 – 23
CLIPPER STEERING, ELECTRICS, FRONT WHEEL DRIVE, ETC	24 – 25
CLIPPER CUTTER DECK	26 – 27
CLIPPER VACUUM COLLECTOR	28 – 29

**PARTS ILLUSTRATION FOR:
Tractor Chassis and Upper Body Panels**



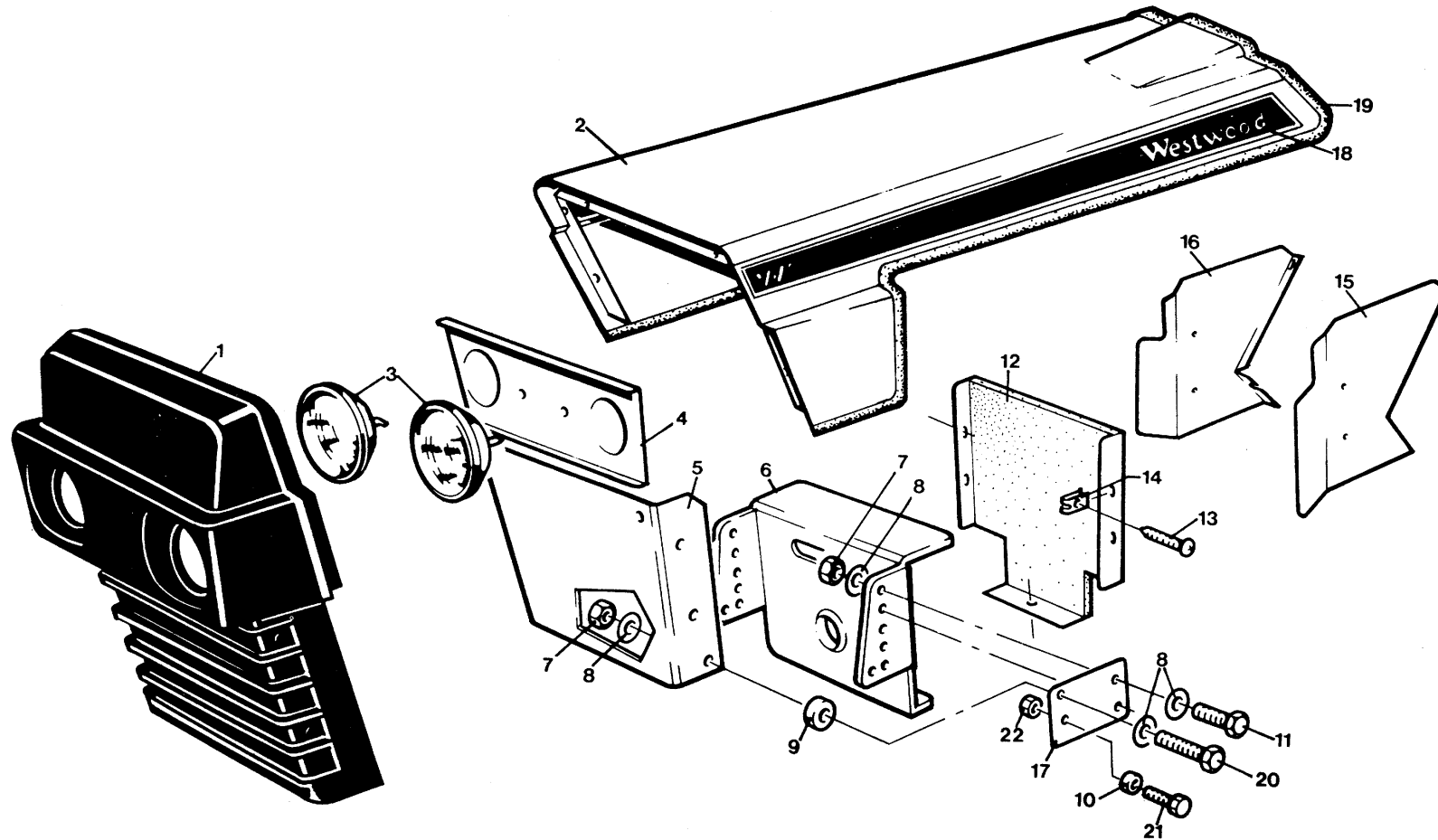
PARTS LIST FOR: Tractor Chassis and Upper Body Panels

Item	Part No	Description	Qty	Item	Part No	Description	Qty	Item	Part No	Description	Qty
1	4833	Bonnet (16 & 18HP Engines)	1	30	3512	Headlamp Wiring Harness (16 & 18 HP Engines)	1		6481	Foot Mats (Grey), Centre	1 pr
	4956	Bonnet (other models)	1	37	3716	Cable Clip	1	55	5646	Foot Mats (Black), Rear	1 pr
2	5430	Bonnet Catch Plate	1	32	1749	Front Wheel Assembly (13 x 5.00 6)	1		6482	Foot Mats (Grey), Rear	1 pr
3	1945	Split Ring	2		2797	Front Wheel Rim	1	56	3355	Flanged Bush, Delrin 500	4
4	2764	Setscrew, M8 x 20mm	1		1163	Tyre	1	57	3359	Support Bracket	2
5	4682	Grille, Black Plastic	1		1201	Inner Tube	1	58	1746	Rear Wheel Assembly (16 x 6.50 8)	2
	6445	Grille, Grey Plastic	1		2796	Front Wheel Assembly (15 x 6.00 8)	1		1662	Wheel Rim	2
6	3727	Headlight	2		1541	Wheel Rim	1		1747	Tyre	2
7	4309	Nut, M8 'J' Type	1		1539	Tyre	1		1748	Tube	2
8	6214	Headlight Mounting Plate	1		1540	Inner Tube	1		1586	Rear Wheel Assembly (18 x 8.50 8)	2
9	5434	Grille Heat Shield	1	33	3354	Bush, Oilite	4		1662	Wheel Rim	2
10	2943	Console Front, Black	1	34	2068	Hub Cap	1		1587	Tyre	2
	6443	Console Front, Grey	1	35	2862	Body Assembly	1	59	1588	Inner Tube	2
11	3959	Bracket, Fuel Tank	1	36	5431	Bonnet Catch, Lower	1		1663	'E' Clip	3
12	3963	Cap, Fuel Tank	1	37	1658	Fuel Can	1	60	1227	Split Pin, 1/8" dia x 1 3/4" long	2
13	3960	Fuel Tank	1	38	1659	Cap, Fuel Can	1	61	5442	Mudguard, LH	1
14	1209	Battery, Type 138	1	39	2034	Setscrew, 3/8" UNF x 3/4" long	4		5443	Mudguard, RH	1
15	4930	Steering Arm	1	40	2912	Seat Plate	1	62	3516	Hinge Pin	2
16	3411	Battery Clamp Bracket	1	41	5744	Seat Plate Pin	1	63	1267	Bolt, 3/8" UNF x 2 1/2" long	1
17	3416	Battery/Fuel Tank Tray	1	42	1225	'R' Clip	1	64	3349	Pin, Hitch Mounting	2
18	3407	Support Bracket	1	43	2898	Seat Spring	2	65	1734	Machine Screw, 2BA x 1/2" long	3
19	6215	Headlight Retainer Plate	1	44	3290	Boss, Spring Locating	2	66	1735	Machine Screw, 2BA x 3/4" long	6
20	4929	Chassis Bracket, Rear	1	45	3532	PTO Flap (Inner)	1	67	4215	Machine Screw, 2BA x 1 1/4" long	2
21	6122	Washer, M8	1	46	3531	PTO Flap (Outer)	1	68		Not Allocated	
22	2296	Axle Beam	1	47	2919	Tool Tray	1	69	1982	Setscrew, 5/16" UNF x 3/4" long	22
23	1986	Wheel Spacer	1	48	5035	Seat (Black)	1	70	1156	Setscrew, 1/4" UNF x 3/4" long	10
24	6200	Stub Axle, LH	1		6446	Seat (Grey)	1	71	1997	Bolt, 3/8" UNF x 1 3/4" long	2
	6201	Stub Axle, RH	1	49	4229	Beading	p/ft	72	5637	Screw, Self Tapping No.6 x 3/8"	2
25	4961	Track Rod	1	50	4832	Seal	p/ft	73	6204	Battery Retaining Bar	1
26	4933	Ball Joint	2	51	4831	Starlock Fastener	1	74		Not Allocated	
27	3683	Spacer	2	52	5644	Foot Mats (Black), Front	1pr	75		Not Allocated	
28	4926	Chassis Bracket, Front	1		6480	Foot Mats (Grey), Front	1pr	76	1054	Bolt, 3/8" UNF x 1 1/2" long	2
29	5506	Hitching Bracket (36" Cutter Decks)	1	53		Not Allocated		77	1200	Bolt, 3/8" UNF x 2 1/4" long	2
	3944	Hitching Bracket (30" & 42" Cutter Decks)	1	54	5646	Foot Mats (Black), Centre	1pr	78	1970	Washer, 5/16" dia. (T4L)	24
								79	1053	Nut, 2BA Nyloc	37

PARTS LIST FOR: Tractor Chassis and Upper Body Panels

Item	Part No	Description	Qty	Item	Part No	Description	Qty	Item	Part No	Description	Qty
80	1273	Nut, 5/16" UNF Nyloc	83		4838	Logo – LASER L80, RH	1				
81	1270	Nut, 1/4" UNF Nyloc	9		4839	Logo – LASER L95, LH	1				
82	1324	Nut, 3/8" UNF Nyloc	36		4840	Logo – LASER L95, RH	1				
83	2015	Setscrew, 3/8" UNF x 1" long	2		4841	Logo – LASER L110, LH	1				
84	6205	Wing Nut, 1/4" UNC	1		4842	Logo – LASER L110, RH	1				
85	3792	Locknut, 3/8" UNF	2		4843	Logo – LASER L120, LH	1				
86	1962	Washer, 2BA	62		4844	Logo – LASER L120, RH	1				
87	1973	Washer, 2BA Coil Spring	2		6371	Logo – MOUNTFIELD 11/30, LH	1				
88	1331	Washer, 1/4" dia. (T3L)	20		6372	Logo – MOUNTFIELD 11/30, RH	1				
89	3947	Washer, 3/16" ID x 1" OD	2		6436	Logo – MOUNTFIELD 11/36, LH	1				
90	1105	Washer, 5/16" dia. (T3L)	4		6437	Logo – MOUNTFIELD 11/36, RH	1				
91	5479	Spacer, Stub Axle	2		6434	Logo – MOUNTFIELD 16/42, LH	1				
92	1323	Washer, 3/8" dia. (T3L)	20		6435	Logo – MOUNTFIELD 16/42, RH	1				
93	1633	Washer, 3/8" dia. Shakeproof	4	101	2847	Washer, 25/64" ID x 7/8" OD x 10g	2				
94	3712	Washer, Shim 20g	As req	102	1553	Roll Pin, 1/8" dia. x 1 1/2" long	2				
	3713	Washer, Shim 16g	As req	103	1680	Spacer	4				
95	3908	Washer, Hub Cap	4	104	3440	Label – 'Safety First'	1				
96	4973	Logo – WESTWOOD	1	105	1148	Bolt, 2BA x 3/4" long	1				
	5410	Logo – LASER	1								
	6376	Logo – MOUNTFIELD	1								
97	4970	Logo – WESTWOOD, LH	1								
	4971	Logo – WESTWOOD, RH	1								
	4835	Logo – LASER, LH	1								
	4836	Logo – LASER, RH	1								
	6408	Logo – MOUNTFIELD	2								
	6433	Logo – HONDA	2								
98	1629	Screw, Self Tapping, No.6	2								
99	1948	Setscrew, 3/8" UNF x 1 1/4" long	2								
100	4974	Logo – T1200, LH	1								
	4975	Logo – T1200, RH	1								
	4984	Logo – T1600, LH	1								
	4985	Logo – T1600, RH	1								
	4997	Logo – T1800, LH	1								
	4898	Logo – T1800, RH	1								
	4837	Logo – LASER L80, LH	1								

**PARTS ILLUSTRATION FOR:
Bonnet and Grille Assembly – 16 and 18 HP only**





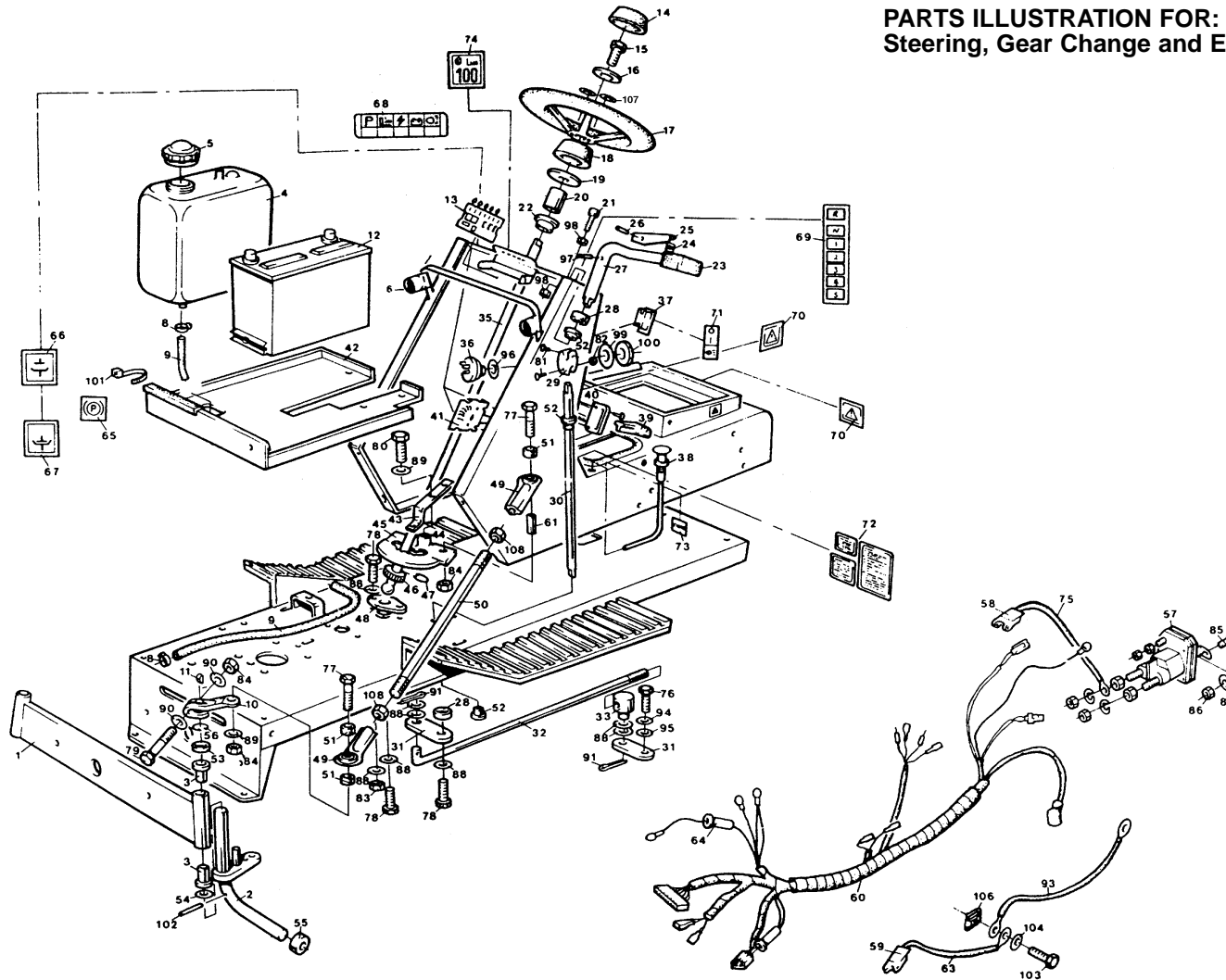
PARTS LIST FOR: Bonnet and Grille Assembly – 16 and 18 HP only

Item	Part No	Description	Qty
1	4682	Grille, Black Plastic	1
	6445	Grille, Grey Plastic	1
2	4833	Bonnet Assembly	1
3	3727	Headlights	2
4	6214	Headlight Mounting Plate	1
5	5434	Grille Heatshield	1
6	4926	Chassis Front, Forward	1
7	1324	Nut, 3/8" UNF Nyloc	6
8	1323	Washer, 3/8" (T3L)	12
9	4372	Spacer, 1/2" long	2
10	3397	Spacer, 1/4" long	2
11	2015	Setscrew, 3/8" UNF x 1"	4
12	4869	Back Plate	1
13	1338	Screw, Self Tapping, No.12 x 1"	4
14	4118	Nut, 'J' type, No.12	4
15	4867	Side Panel, LH	1
16	4868	Side Panel, RH	1
17	4846	Pivot Plate	2
18	4976	Logo – 'Westwood', LH	1
	4977	Logo –'Westwood', RH	1
	4836	Logo – 'Laser', LH	1
	4835	Logo – 'Laser', RH	1
	6408	Logo – 'Mounfield'	2
	6433	Logo – 'Honda'	2
10	4229	Beading	p/ft
20	3610	Setscrew, 3/8" UNF x 1.5"	2
21	3719	Setscrew, 1/4" UNF x 1.25"	2
22	1270	Nut, 1/4" UNF Nyloc	
<p>Note: For Grille to Bonnet Attachments, see parts illustration on page 2.</p>			

Item	Part No	Description	Qty

Item	Part No	Description	Qty

**PARTS ILLUSTRATION FOR:
Steering, Gear Change and Electrical Controls**



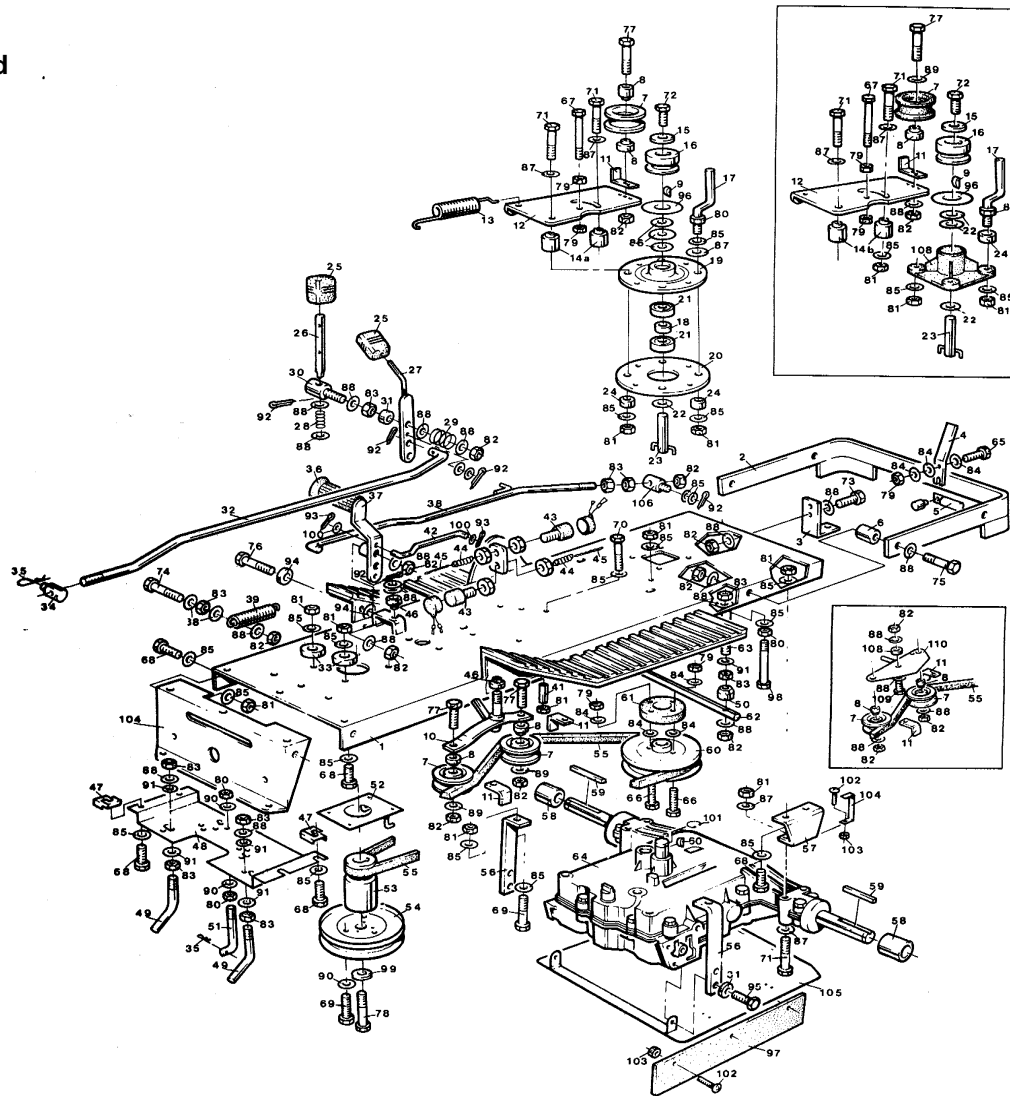
PARTS LIST FOR: Steering, Gear Change and Electrical Controls

Item	Part No	Description	Qty
1	2296	Axle Beam	1
2	6200	Stub Axle, LH	1
	6201	Stub Axle, RH	1
3	3355	Bush, Flanged (Delryn)	4
4	3960	Fuel Tank	1
5	3963	Cap, Fuel Tank	1
6	4148	Grommet	1
7	2066	Key, Ignition	1
8	3940	Snapper Clip, No.6	6
9	3859	Fuel Pipe	As req
10	4930	Steering Arm	1
11	1098	Woodruff Key, No.608	1
12	1209	Battery, Type 138	1
13	3587	Printed Circuit Board (PCB)	1
	5484	PCB (Kohler engines only)	1
14	5425	Cover, Steering Wheel	1
15	1334	Bolt 5/16" UNF x 3/4" long	1
16	4808	Washer, Flat Hardened	1
17	3946	Steering Wheel (Black)	1
	6447	Steering Wheel (Grey)	1
18	5426	Steering Wheel, Shroud	1
19	4771	Steering Wheel, Washer	1
20	4770	Steering Column Spacer	1
21	5599	Socket Screw, 1/4" UNF x 1 1/4"	1
22	3539	Bush, Steering Column	2
23	2649	Knob	1
24	2925	Spring	1
25	2884	Gear Lever Latch	1
26	1457	Roll Pin 1/8" dia x 3/4" long	1
27	2881	Gear Lever, Upper	1
28	3582	Spacer	2
29	2883	Knuckle, Gear Change	1
30	2882	Gear Lever, Lower	1
31	4718	Gear Change Lever	2
32	4719	Gear Change Rod	1

Item	Part No	Description	Qty
33	1694	Swivel	1
34	5600	Bezel, Ignition Switch (Not Illustrated)	1
35	3475	Steering Column	1
36	2703	Ignition Switch	1
	2066	Ignition Key (Not illustrated)	1
37	3561	Switch, Headlights	1
38	3559	Choke Control	1
		(16 and 18 HP engines only)	1
39	2010	Throttle Knob	1
40	4144	Throttle Plate (10 and 11 HP engines)	1
	4145	Throttle Plate (18 HP Kohler)	1
	4146	Throttle Plate (12 1/2" HP Kohler)	1
41	1507	Throttle Control (B and S engines)	1
	5482	Throttle Control (12 1/2" HP Kohler)	1
	1808	Throttle Control (16 HP engine)	1
	5444	Throttle Control (18 HP Kohler)	1
42	3416	Battery/Fuel Tank Tray	1
43	3401	Bridge, Steering Quadrant	1
44	3400	Bush, Steering Quadrant	1
45	3403	Steering Quadrant	1
46	2276	Steering Gear	1
47	2589	Clip 'E'	2
48	1699	Steering Column Base	1
49	4933	Ball Joint	2
50	4960	Drag Link	1
	5485	Drag Link (Kohler 12.5 HP engines only)	1
51	1680	Spacer, Ball Joint	2
52	3541	Bush, Gear Change	2
53	5479	Spacer, Stub Axle	2
54	3712	Washer Shim, 20g	As req
	3713	Washer Shim, 16g	As req
55	1980	Spacer, Front Wheel	2
56	1663	'E' Clip	2
57	1530	Solenoid	1
58	2090	Battery Connector – Red	1

Item	Part No	Description	Qty
59	2091	Battery Connector – Blue	1
60	3547	Wiring Loom (16 HP engine)	1
	4717	Wiring Loom (10 and 11 HP engines)	1
	5855	Wiring Loom (Kohler engines)	1
	6453	Wiring Loom (12 HP B & S engines)	1
61	3117	Spacer	1
62		Not Allocated	
63	3678	Battery Earth Lead	1
64	3599	Fuse Holder	2
	4044	Fuse, 10 Amp, Anti Surge	2
	5616	Fuse, 20 Amp (Kohler Engines)	2
65	3437	Label, Park Brake	1
66	3436	Label, Cutter Disengage	1
67	3435	Label, Cutter Engage	1
68	3956	Label, Indicator Lights	1
69	3484	Label, Gear Change	1
70	4967	Label, Hazard (small)	4
71	3431	Label, Headlight Switch	1
72	4969	Label, Operating Instructions	1
73	3605	Label, Choke (16 and 18 HP engines)	1
74	4972	Label, EEC Noise	1
75	1814	Battery Positive Lead	1
76	1156	Setscrew, 1/4" UNF x 3/4" long	1
77	1997	Bolt, 3/8" UNF x 1 3/4" long	2
78	1982	Setscrew, 5/16" UNF x 3/4" long	3
79	1267	Bolt, 3/8" UNF x 2 1/2" long	1
80	2025	Bolt, 3/8" UNF x 2 3/4" long	1
81	3688	Setscrew, M5 x 25mm long	2
82	3689	Nut, M5 Nyloc	2
83	1273	Nut, 5/16" UNF Nyloc	3
84	1324	Nut, 3/8" UNF Nyloc	4
85	1143	Machine Screw, 2BA x 7/8" long	3
86	1053	Nut, 2BA Nyloc	3
87	1962	Washer, 2BA	6
88	1105	Washer, 5/16" dia. (T3L)	18

**PARTS ILLUSTRATION FOR:
Tractor Chassis, PTO, Brake and
Cutter Engage Controls**





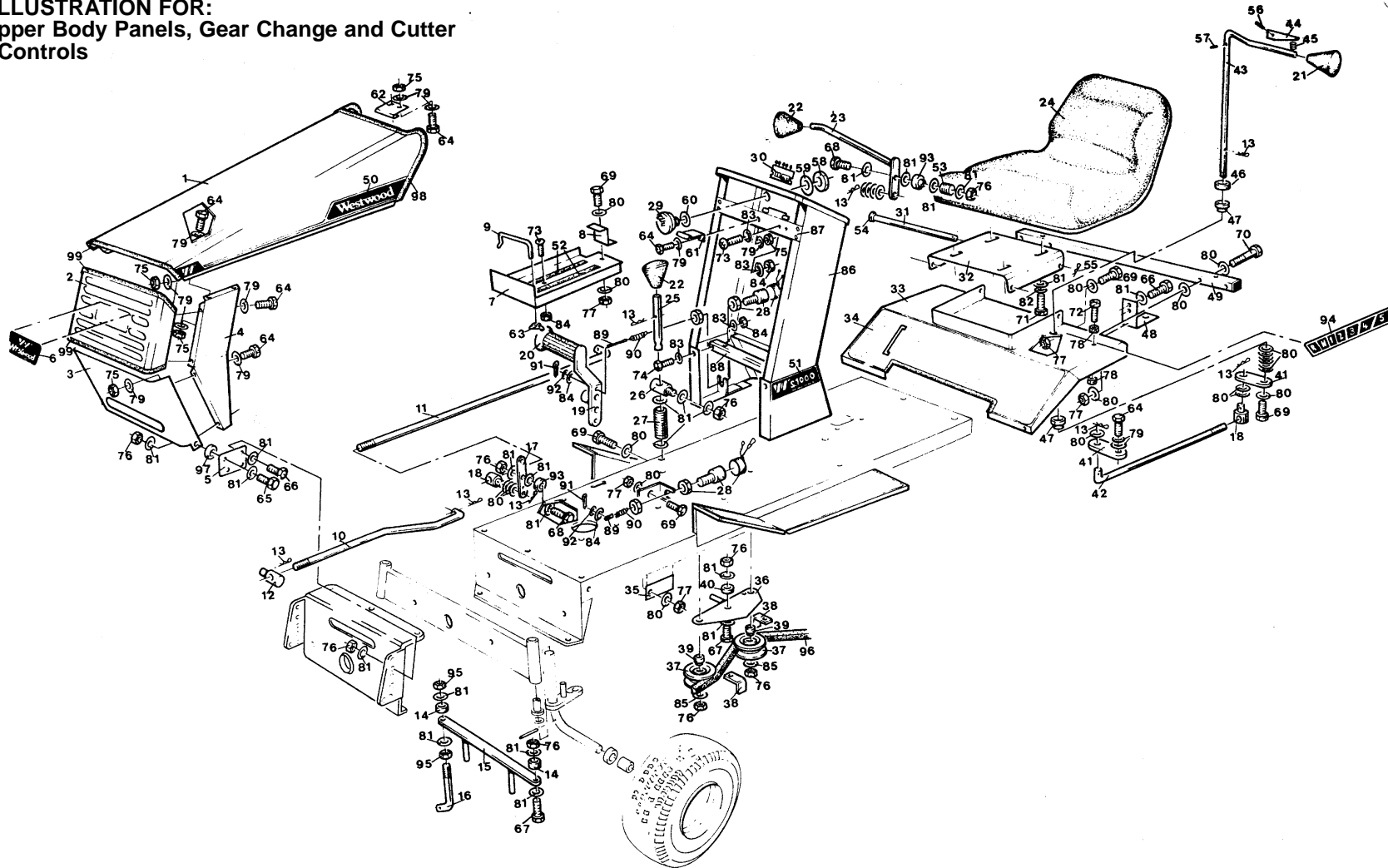
PARTS LIST FOR: Tractor Chassis, PTO, Brake and Cutter Engage Controls

Item	Part No	Description	Qty
1	4927	Chassis	1
2	4963	Accessory Mounting Frame	1
3	2246	Tow Hitch	2
4	3478	Lever	2
5	3682	Latch Pin	2
6	3117	Pivot Bush	2
7	5822	Jockey Pulley	3
8	5478	Shouldered Spacer (Jockey Pulley)	3
9	3728	Woodruff Key, No.806	1
10	2715	Jockey Arm	1
11	5477	Belt Guide (Jockey Pulley)	3
12	2786	Jockey Plate	1
13	2791	Spring, Jockey Plate	1
14a	2787	Shouldered Spacer (Jockey Plate)	2
14b	6452	Shouldered Spacer (Jockey Plate)	2
15	1006	Washer, Hardened Domed	1
16	4337	Pulley, PTO Drive	1
17	3378	Belt Guide, PTO	1
18	4245	Bearing Spacer	1
19	3552	Bearing Housing (Upper)	1
20	3639	Bearing Housing (Lower)	1
21	1180	Bearing, NSK 6205-RS	2
22	5720	Washer (T/Axle Type 801-030)	1
	4246	Spacer (T/Axle Type 832)	1
23	4252	Shaft, PTO Drive	1
	4251	Shaft, PTO Drive (S1000 only)	1
24	3748	Spacer, PTO/Chassis Mounting	4
25	2648	Knob	2
26	2643	Park Brake Plunger	1
27	2644	Lever, Cutter Engage	1
	6360	Lever, PTO Engage (not shown)	1
28	2003	Spring, Park Brake	1
29	1613	Spring, Engage Lever	1
30	2302	Pivot Boss	1
31	3863	Spacer	5

Item	Part No	Description	Qty
32	4340	Rod, Cutter Engage	1
	6396	Rod, Cutter Engage (S1000 only)	1
	6217	Rod, Cutter Engage (18 HP Kohler)	1
33	2351	Spacer, 1 1/4" OD x 25/64" ID x 1/2" long	4
	4893	Spacer, 1 1/4" OD x 25/64" ID x 1"	4
	5445	Engine Mounting Plate, Front (Kohler 18 HP engines only)	1
40	5446	Engine Mounting Plate, Rear (Kohler 18 HP engines only)	1
34	1695	Swivel, Engage Rod	1
35	1225	'R' Clip	1
36	2009	Foot Pedal Rubber	1
37	6082	Foot Pedal Arm	1
38	1710	Rod, Brake Operating	1
39	2103	Spring, Clutch	1
40		Not Allocated	
41	2593	Spacer, Gear Stop	1
42	3405	Rod, Brake Safety Switch	1
43	3414	Switch, Safety	2
44	3463	Spring, Tension	2
45	2592	Chain	2
46	3540	Bush, Flanged 1/2" ID x 5/16" OD x 1/2"	2
47	4245	Nut, 5/16" UNF Captive	3
48	4225	Plate, Belt Guide	1
49	4256	Belt Guide	2
50	4328	Spacer, Hanger Bar	1
51	2319	Pin, Retaining	1
52	3467	Belt Guide	1
	3469	Belt Guide (16 and 18 HP engines)	1
53	6442	Engine Pulley Block 5", 2 Grooved	1
	6796	Engine Pulley Block 5 3/4", 3 Grooved	1
	1602	Drive Key	1
	4815	Drive Key (S1000 only)	1
54	1558	Pulley, Cutter Drive	1
	3750	Pulley, Cutter Drive (30" Decks only)	1

Item	Part No	Description	Qty
55	1688	Belt, Transmission (1688-42-5645)	1
56	2831	Bracket, Transaxle Front	2
57	3482	Bracket, Rear, T/Axle Type 801-030	2
	3483	Bracket, Rear, T/Axle Type 832	2
58	1715	Spacer, Rear Wheel	2
59	1664	Drive Key (Rear Wheels)	2
60	3392	Pulley, Transaxle	1
	3395	Pulley, Transaxle (16 and 18 HP only)	1
	1104	Woodruff Key, No.606	1
61	3391	Flexible Coupling, PTO	1
	3606	Spacers	2
62	3991	Hanger Bar	1
63	3992	Support, Hanger Bar	2
64	2018	Transaxle, Peerless Type 832	1
	2019	Transaxle, Peerless Type 801-030	1
65	1156	Setscrew, 1/4" UNF x 3/4" long	2
66	2022	Bolt, 1/4" UNF x 1 1/4" long	2
67	3396	Bolt, 1/4" UNF x 2 1/2" long	1
68	1982	Setscrew, 5/16" UNF x 3/4" long	8
69	2031	Setscrew, 5/16" UNF x 1" long	5
70	1321	Bolt, 5/16" UNF x 1 1/2" long	4
71	1978	Bolt, 5/16" UNF x 2 1/2" long	6
72	1051	Setscrew, 3/8" UNF x 1" long (Nyloc)	1
73	2015	Setscrew, 3/8" UNF x 1" long	1
74	1948	Setscrew, 3/8" UNF x 1 1/4" long	1
75	1054	Bolt, 3/8" UNF x 1 1/2" long	2
76	1267	Bolt, 3/8" UNF x 2 1/2" long	1
77	1319	Bolt, 3/8" UNF x 2" long	3
78	3755	Bolt, 7/16" UNF x 3 1/2" long	1
	3655	Bolt, M10 x 90mm long (Kohler)	1
	4342	Bolt, 7/16" UNF x 4 1/2" long (Honda)	1
	6202	Bolt, 3/8" UNF x 3" long (S1000 only)	1
79	1270	Nut, 1/4" UNF Nyloc	6
80	2040	Nut, 5/16" UNF Plain	4
81	1273	Nut, 5/16" UNF Nyloc	16

**PARTS ILLUSTRATION FOR:
S1000 Upper Body Panels, Gear Change and Cutter
Engage Controls**





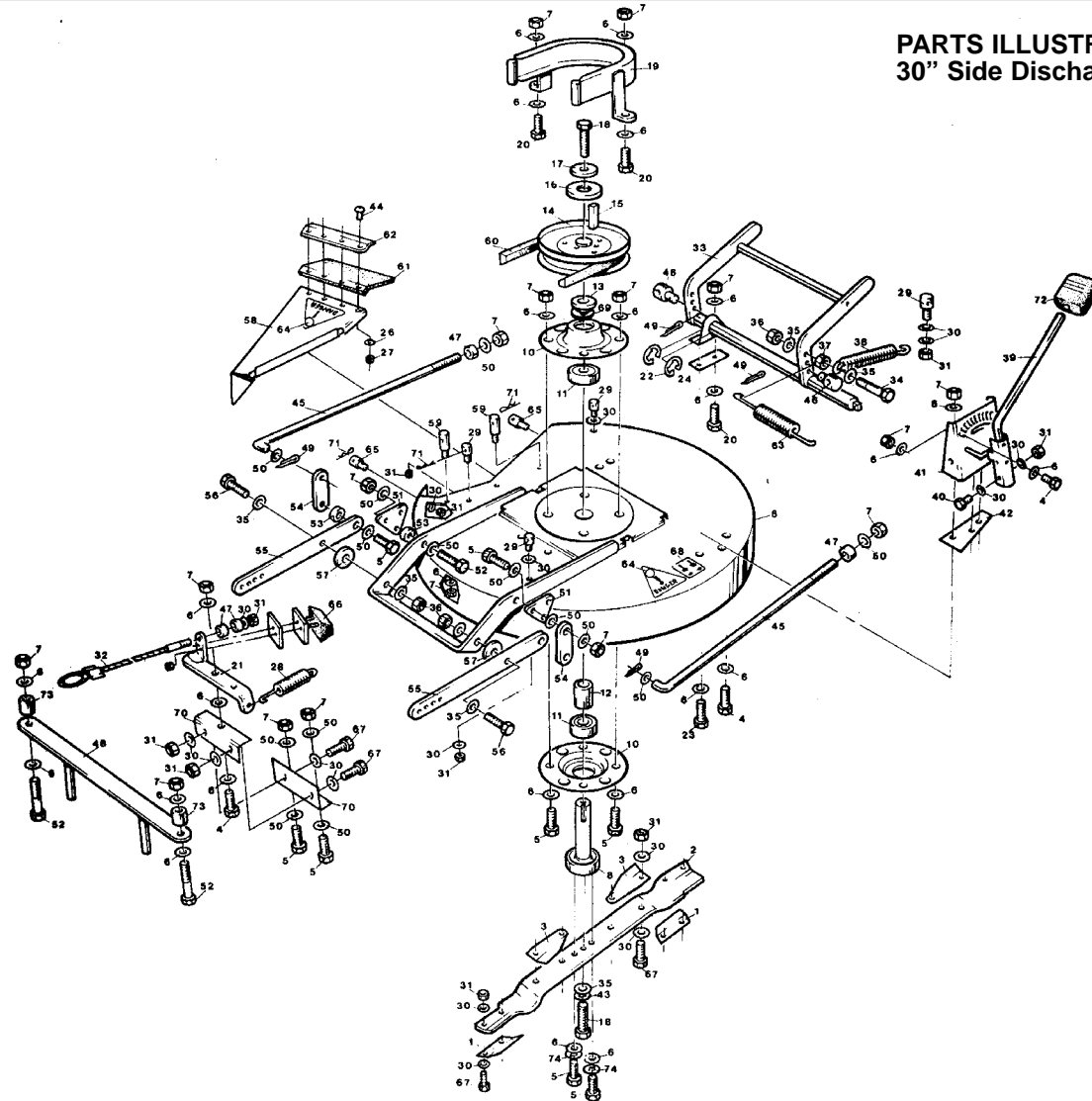
PARTS LIST FOR: S1000 Upper Body Panels, Gear Change and Cutter Engage Controls

Item	Part No	Description	Qty
1	6382	Bonnet	1
2	6378	Grille, Upper	1
3	6377	Grille, Lower	1
4	6379	Grille Side, LH	1
	6380	Grille Side, RH	1
5	4846	Pivot Plate, Bonnet	1
6	4973	Logo, Grille	1
7	6388	Battery Tray	1
8	6389	Battery Clamp	1
9	6204	Battery Retaining Bar	1
10	6395	Engage Rod, short	1
11	6396	Engage Rod, long	1
12	1695	Swivel, Engage Rod	1
13	4086	'R' Clip, small	8
14	4372	Spacer	2
15	3746	Belt Guide Assembly	1
16	3743	Retaining Pin	1
17	6397	Link, Engage Rods	1
18	1694	Swivel	2
19	6082	Foot Pedal Assembly	1
20	2009	Foot Pedal Rubber	1
21	2649	Knob, 1/2"	1
22	2648	Knob, 3/8"	2
23	6400	Lever, Engage Control	1
24	5035	Seat	1
25	2643	Park Brake Plunger	1
26	6438	Lock Bolt, Park Brake	1
27	2003	Spring, Compression	1
28	3414	Switch, Safety	2
29	2703	Switch, Ignition	1
30	3587	Printed Circuit Board	1
31	5744	Pin, Seat Retaining	2
32	6406	Seat Plate	1
33	6405	Mudguard Assembly	1
34	6306	Flex Tred	As req

Item	Part No	Description	Qty
35	6349	Shield, Brake Pin	1
36	6161	Jockey Plate	1
37	5882	Jockey Pulley	2
38	5477	Belt Guide	2
39	5478	Bush, Jockey Pulley	2
40	6159	Bush, Jockey Plate	1
41	4718	Plate, Gear Lever	2
42	6403	Rod, Gear Change	1
43	6402	Lever, Gear Change	1
44	2884	Latch, Gear Lever	1
45	2925	Spring, Compression	1
46	4809	Spacer, Gear Lever	1
47	3541	Bush, Gear Lever	2
48	2246	Tow Hitch	1
49	3933	Mounting Bar	1
50	6364	Logo, Bonnet, LH	1
	6365	Logo, Bonnet, RH	1
51	6361	Logo, Console, LH	1
	6362	Logo, Console, RH	1
52	9003	Foam Strip	2
53	1613	Spring, Compression	1
54	4831	Starlock Fastener	2
55	1225	'R' Clip, large	3
56	2050	Roll Pin, 1/8" x 7/8"	1
57	1457	Roll Pin, 1/8" x 3/4"	1
58	2065	Nut, Ignition Switch	1
59	1976	Washer, 1" x 5/8"	1
60	2049	Washer, 5/8" Shakeproof	1
61	5431	Catch Plate, Chassis	1
62	5430	Catch Plate, Bonnet	1
63	6205	Wing Nut, 1/4" UNC	1
64	1156	Setscrew, 1/4" UNF x 3/4" long	17
65	1054	Bolt, 3/8" UNF x 1 1/2" long	2
66	2015	Setscrew, 3/8" UNF x 1" long	4
67	3610	Setscrew, 3/8" UNF x 1 1/2" long	2

Item	Part No	Description	Qty
68	1948	Setscrew, 3/8" UNF x 1 1/4" long	2
69	1982	Setscrew, 5/16" UNF x 3/4" long	7
70	1266	Bolt, 5/16" UNF x 1 3/4" long	2
71	2034	Setscrew, 3/8" UNF x 3/4"	4
72	5599	Socket Screw, 1/4" UNF x 1 1/4" long	1
73	1734	Machine Screw, 2BA x 1/2" long	2
74	3020	Setscrew, 2BA x 1" long	2
75	1270	Nut, 1/4" UNF Nyloc	16
76	1324	Nut, 3/8" UNF Nyloc	10
77	1273	Nut, 5/16" UNF Nyloc	11
78	2042	Locknut, 1/4" UNF	2
79	1331	Washer, 1/4" T3L	16
80	1105	Washer, 5/16" T3L	11
81	1323	Washer, 3/8" T3L	12
82	1633	Washer, 3/8" Shakeproof	4
83	1962	Washer, 2BA T1	9
84	1053	Nut, 2BA Nyloc	7
85	2847	Washer, Jockey Pulley	2
86	6386	Console Assembly	1
87	6392	Console Bracket	1
88	6387	Battery Tray Support	1
89	2592	Chain	2
90	3463	Spring, Tension	2
91	1233	Split Pin, 1/8" x 3/4"	2
92	1067	Washer, 4BA T1	2
93	3146	Spacer, Engage Lever	2
94	6363	Label, Gear Change	1
95	3792	Locknut, 3/8" UNF	2
96	1688	Belt, Transmission 42-5654	1
97	3683	Spacer, Bonnet Pivot	2
98	4832	Trim, Baines DX 77	As req
99	6305	Trim, Baines No.694	As req
	2066	NOT ILLUSTRATED Ignition key	1

**PARTS ILLUSTRATION FOR:
30" Side Discharge Cutter Deck**



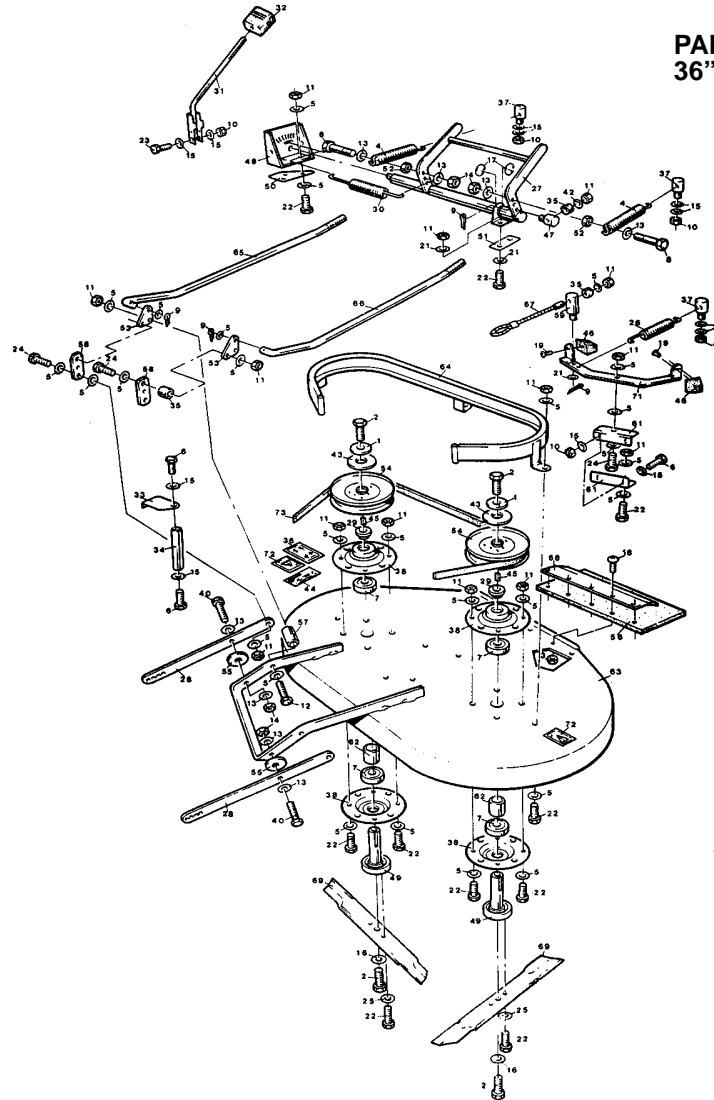
PARTS LIST FOR: 30" Side Discharge Cutter Deck

Item	Part No	Description	Qty
1	4314	Blade Extension, small	2
2	5453	Blade, Heavy Duty	1
	6093	Reinforcing Strip (for 5453 30" Blade)	1
3	4317	Blade Extension, large	2
4	2031	Setscrew, 5/16" UNF x 1" long	18
5	1982	Setscrew, 5/16" UNF x 3/4" long	4
6	1970	Washer, 5/16" plain (T4L)	25
7	1273	Nut, 5/16" UNF Nyloc	23
8	3871	Deck, Welded Assembly	1
9	3759	Cutter Shaft Assembly	1
10	3552	Bearing Housing	2
11	1180	Bearing, NSK 6205-RS	2
12	4848	Bearing Spacer	1
13	2412	Pulley Spacer	1
14	5435	Pulley 8" dia.	1
15	3841	Key, 1/4" square x 3/4" long	1
16	3635	Washer, Special	1
17	1006	Washer, Hardened Domed	1
18	1051	Setscrew, 3/8" UNF x 1" long Nyloc	2
19	2425	Pulley Guard	1
20	2032	Bolt 5/16" UNF x 1 1/4" long	2
21	3737	Brake Arm	1
22	1663	'E' Clip	2
23	3608	Setscrew, 5/16" UNF x 1 1/4" long	2
24	3781	Spacer Plate	1
25	1956	Screw, Self Tapping, No.8 x 1" long	2
26	1962	Washer 2BA plain (T1)	9
27	1053	Nut 2BA Nyloc	4
28	2103	Tension Spring	1
29	3516	Pin, Spring Retainer	4
30	1331	Washer, 1/4" plain (T3L)	28
31	1270	Nut, 1/4" UNF Nyloc	16
32	3739	Brake Cable Assembly	1
33	3884	Hanger Bar Assembly	1
34	2025	Bolt 3/8" UNF x 2 1/2" long	2

Item	Part No	Description	Qty
35	1323	Washer 3/8" plain (T3L)	8
36	1324	Nut 3/8" UNF Nyloc	4
37	3792	Nut 3/8" UNF Locknut	2
38	2217	Tension Spring	2
39	3881	Height Adjuster Lever	1
40	2022	Bolt 1/4" UNF x 1/4" long	1
41	3883	Height Adjuster Quadrant	1
42	2429	Reinforcing Plate	1
43	1633	Washer, 3/8" Internal Shakeproof	1
44	1735	Machine Screw 2BA x 3/4" long	4
45	3734	Hitch Rod	2
46	3740	Pivot, Hitch Rod	2
47	3329	Spacer, 5/16" ID x 1/2" OD x 7/16" long	3
48	3746	Belt Guide Assembly	1
49	1667	Split Pin 1/8" dia. x 1" long	4
50	1105	Washer, 5/16" Plain (T3L)	34
51	3907	Link Plate	2
52	1321	Bolt 5/16" UNF x 1 1/2" long	2
53	3691	Bush, Link	2
54	3760	Link Plate	2
55	2420	Hitch Bar	2
56	3610	Setscrew 3/8" UNF x 1 1/2" long	2
57	4124	Washer 3/8" plain (T5)	2
58	3999	Cutter Guard Assembly	1
59	3995	Hinge Pillar	2
60	1767	Drive Belt, 42-5084	1
61	3905	Rubber Flap, Side Chute	1
62	3903	Retaining Plate	1
63	2595	Tension Spring	1
64	4968	Warning Label	2
65	3902	Retaining Pin	3
66	3730	Brake Block	1
67	1156	Setscrew 1/4" UNF x 3/4" long	2
68	3439	Height Adjuster Label	1
69	3618	Washer	1

Item	Part No	Description	Qty
70	4320	Brake Arm Support (Adjustable)	2
71	1225	'R' Clip	3
72	2649	Knob	1
73	4372	Spacer 5/16" ID x 3/4" OD x 1/2" long	2
74	2048	Washer, 5/16" Internal Shakeproof	2

**PARTS ILLUSTRATION FOR:
36" Standard Cutter Deck**





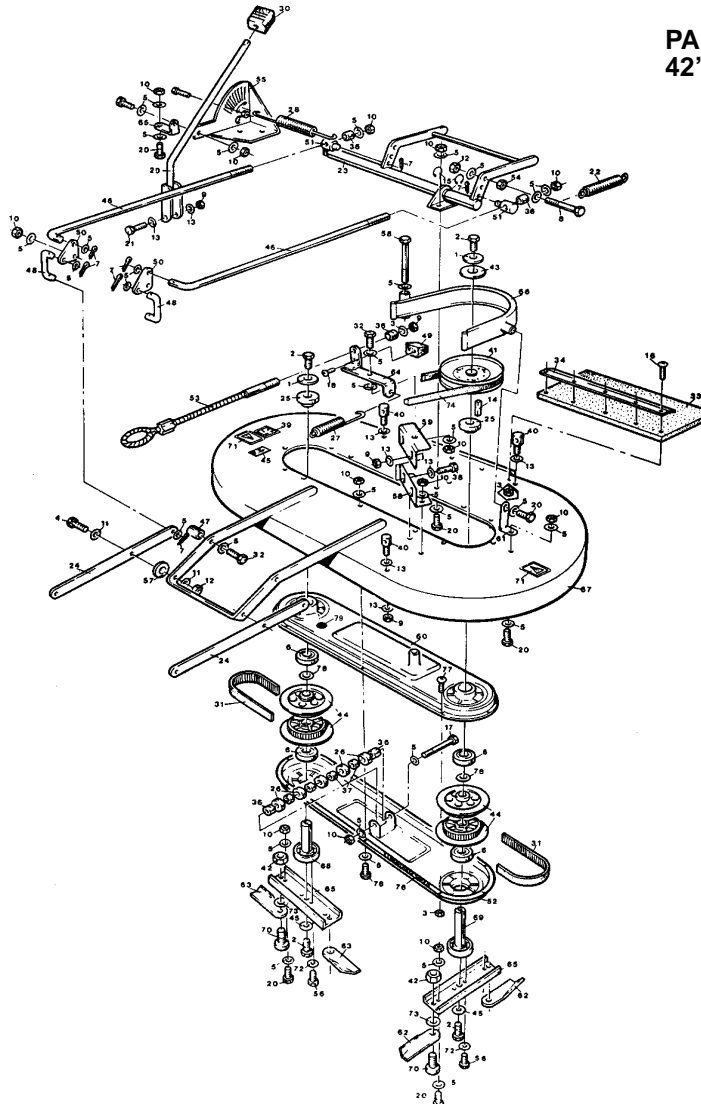
PARTS LIST FOR: 36" Standard Cutter Deck

Item	Part No	Description	Qty
1	1006	Washer Hardened Dome	2
2	1051	Setscrew, 3/8" UNF x 1" LG Nyloc	4
3	1053	Nut, 2BA Nyloc	5
4	1076	Spring, Tension 4" long	2
5	1105	Washer, 5/16" dia. T3L	40
6	1156	Setscrew, 1/4" UNF x 3/4" long	4
7	1180	Bearing	4
8	2025	Bolt, 3/8" UNF x 2 3/4" long	2
9	1233	Split Pin, 1/8" dia. x 3/4" long	5
10	1270	Nut, 1/4" UNF Nyloc	7
11	1273	Nut, 5/16" UNF Nyloc	28
12	1318	Bolt, 5/16" x 2" long	2
13	1323	Washer, 1/8" dia T3L	8
14	1324	Nut, 3/8" UNF Nyloc	4
15	1331	Washer, 1/4" dia. T3L	13
16	1633	Washer, 3/8" dia. Internal Shakeproof	2
17	1663	'E' Clip	2
18	1735	Machine Screw, 2BA x 3/4" long	5
19	1956	Screw, No.8 x 1" long, Self Tapping	4
20	1962	Washer, 2BA T1L	5
21	1970	Washer, 5/16" dia. T4L	28
22	1982	Setscrew, 5/16" UNF x 3/4" long	18
23	2022	Bolt, 1/4" UNF x 1 1/4" long	1
24	2031	Setscrew, 5/16" UNF x 1" long	10
25	2048	Washer, 5/16" Internal Shakeproof	4
26	2103	Spring, Tension	1
27	2395	Hanger Bracket Assembly	1
28	2410	Hitch Bar	2
29	2412	Bush, Pulley	2
30	2595	Spring, Tension	1
31	2646	Height Adjuster Lever	1
32	2649	Knob	1
33	3294	Safety Guard	1
34	3295	Safety Guard Post	1
35	3397	Spacer	5

Item	Part No	Description	Qty
36	3439	Label, Height Adjustment	1
37	3516	Spring Retainer	3
38	3552	Bearing Housing	4
39		Not Allocated	
40	3610	Setscrew, 3/8" UNF x 1 1/2" long	2
41		Not Allocated	
42	3616	Washer, 5/16" dia. T4H	2
43	3635	Washer	2
44	4860	Label, Serial No.	1
45	3841	Key, 1/4" Square Drive	2
46	3730	Brake Block	2
47	3740	Pivot, Lift Rod	2
48	3753	Height Adjuster Quadrant	1
49	3759	Cutter Shaft	2
50	3779	Spacer Plate (Quadrant)	1
51	3781	Spacer Plate (Hanger Bracket)	1
52	3792	Locknut, 3/8" UNF	2
53	3907	Link Plate	2
54	3943	Pulley	2
55	4124	Washer, 3/8" dia. T5L	2
56	4220	Rubber Flap	1
57	4221	Bush Link	2
58	4225	Link Arm	2
59	4232	Brake Arm Pillar	1
60		Not Allocated	
61	4320	Brake Arm Bridge (Adjustable)	2
62	4848	Bearing Spacer	2
63	4934	Cutter Deck Shell	1
64	4937	Pulley/Belt Guard	1
65	4939	Hitch Rod, L/H	1
66	4940	Hitch Rod, R/H	1
67	4941	Brake Cable	1
68	4942	Retaining Strip	1
69	4943	Blade	2
70		Not Allocated	

Item	Part No	Description	Qty
71	4946	Brake Arm	1
72	4968	Label, Hazard, Large	2
73	1721	Belt	1
	2695	Belt T1600 and T1800 only	1

**PARTS ILLUSTRATION FOR:
42" Contra-Rotating Cutter Deck**



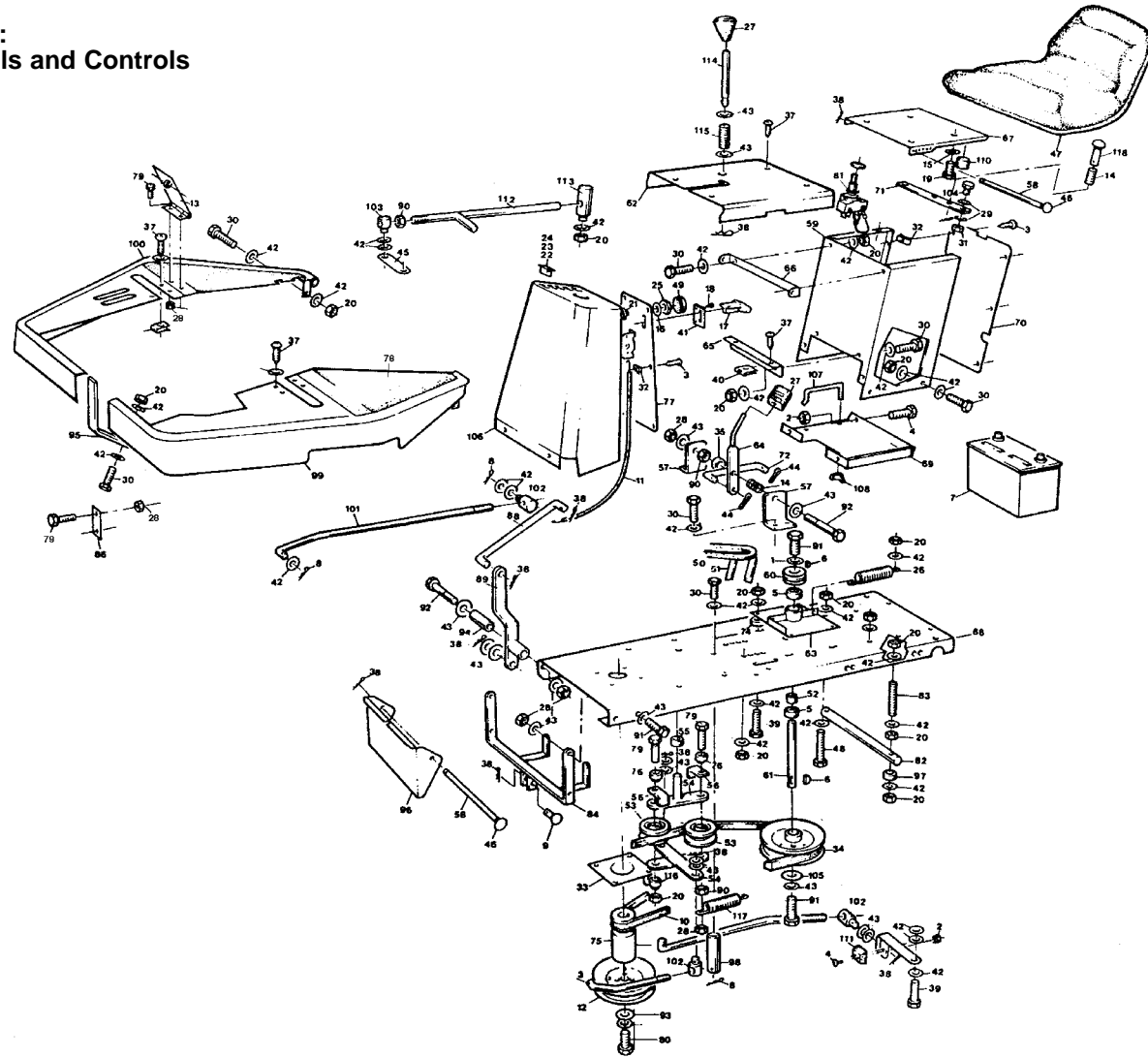
PARTS LIST FOR: 42" Contra-Rotating Cutter Deck

Item	Part No	Description	Qty
1	1006	Washer Hardened Dome	2
2	1051	Setscrew, 3/8" UNF x 1" LG Nyloc	4
3	1053	Nut, 2BA Nut Nyloc	9
4	1054	Bolt, 3/8" UNF x 1.5" long	2
5	1105	Washer, 5/16" T3L	10
6	1180	Bearing NSK 6205-RS	4
7	1233	Split Pin, 1/8" dia. x 3/4" LG	8
8	2025	Bolt, 3/8" UNF x 2 1/4" LG	2
9	1270	Nut, 1/4" UNF Nut Nyloc	8
10	1273	Nut, 5/16" UNF Nut Nyloc	23
11	1323	Washer, 3/8" T3L	8
12	1324	Nut, 3/8" UNF Nut Nyloc	4
13	1331	Washer, 1/4" T3L	13
14	3841	Key Parallel, 1/4" SQ x 3/4" LG	1
15	1663	Clip 'E' Spring A 1500-75	2
16	1735	Machine Screw, 2BA x 3/4" LG Pozi-Pan	5
17	1933	Bolt, 5/16" UNF x 3.5" LG	1
18	1956	Screw, No.8 x 1" LG Selftap Pozi-drive	2
19	1962	Washer, 2BA T1	7
20	1982	Setscrew, 5/16" UNF x 3/4" LG	8
21	2022	Bolt, 1/4" UNF x 1 1/4" LG	1
22	2217	Tension Spring	2
23	2395	Hanger Bracket Assembly	1
24	2410	Hitch Bar	2
25	2412	Pulley Bush	2
26	2445	Bearing NSK 608 2RS 1QE6	5
27	2594	Tension Spring	1
28	2595	Tension Spring	1
29	2646	Height Adjuster Lever Assembly	1
30	2649	Knob	1
31	2660	Belt, Toothed 1440 8M20	1
32	2032	Setscrew, 5/16" UNC x 1 1/2" LG	5
33	3286	Rubber Flap	1

Item	Part No	Description	Qty
34	3287	Rubber Flap Retaining Strip	1
35	3635	Washer	2
36	3329	Spacer, 1/2" OD x 8.2mm ID x 7/16" LG	5
37	3338	Spacer, 1/2" OD x 5/16" ID x 1/8" LG	4
38	1156	Setscrew, 1/4" UNF x 3/4" long	3
39	3439	Label, Height Adjustment	1
40	3516	Swivel Bar Pin & Spring Retainer	3
41	3548	Pulley Assy 7" dia. Deep Draw	1
42	3585	Nut, Locknut M12 Fine Pitch	4
43	3635	Washer, 2.75" dia. x 30mm ID x 10G	1
44	3636	Pulley, Toothed H.T.D.	2
45	1633	Washer, 3/8" dia. Internal Shakeproof	2
46	3690	Hitch Rod	2
47	3691	Bush, Link	2
48	3694	Hitch Bent Link	2
49	3730	Brake Block	1
50	3735	Link Plate	2
51	3740	Lift Rod Pivot	2
52	3778	Belt Case Assy. Lower	1
53	3783	Brake Cable Assy.	1
54	3792	Nut, 3/8" UNF Locknut	2
55	3794	Height Adjuster Plate Assy.	1
56	4107	Setscrew, 5/16" UNF x 1/2" LG Nyloc	4
57	4124	Washer, 3/8" T5	2
58	1312	Bolt, 5/16" UNF x 3" long	1
59	4320	Brake Arm Bridge (Adjustable)	2
60	4690	Belt Case Assy. Upper	1
61	4694	Belt Guard Fixing Bracket	1
62	4870	Blade, Swing, L/H	2
63	4871	Blade, Swing, R/H	2
64	4875	Brake Arm Assy.	1
65	5438	Blade Carrier, Heavy Duty	2
66	4877	Drive Pulley Guard Assy.	1
67	4880	Deck Welded Assy.	1
68	4882	Cutter Shaft Sub-Assy. (short)	1

Item	Part No	Description	Qty
69	4883	Cutter Shaft Sub-Assy (long)	1
70	4885	Pivot Bolt AISI 4042	4
71	4968	Label, Hazard, large	2
72	2048	Washer, 5/16" Internal Shakeproof	4
73	4126	Washer, 5/8" ID x 1" OD	4
74	2226	Drive Belt Dayco 42/7699	1
75	5720	Washer	2
76	6409	Gasket, Belt Case (Not Illustrated)	1
77	1734	Machine Screw, 2BA x 1/2" long	4
78	2031	Setscrew, 5/16" UNF x 1" long	11
79	6966	Inspection Cap	1
		KITS	
	2444	Bridge Roller Assembly Complete	1
	4817	Belt Case Assembly Complete	1

**PARTS ILLUSTRATION FOR:
Clipper Chassis, Body Panels and Controls**



PARTS LIST FOR: Clipper Chassis, Body Panels and Controls

Item	Part No	Description	Qty
1	1006	Washer, Hardened Dome	1
2	1053	Nut, 2BA Nyloc	2
3	1058	Screw, No.8 x 3/8"	12
4	1143	Screw, 2BA x 7/8"	2
5	1180	Bearing	2
6	1181	Woodruff Key	2
7	1209	Battery	1
8	1225	'R' Clip	2
9	1249	Pin, Tie Bar	1
10	1414	Belt	1
11	1507	Throttle Control	1
12	1558	Pulley	1
13	6295	Foot Pedal	1
14	1613	Spring	2
15	1633	Washer, 3/8" Shakeproof	4
16	1976	Washer, 1" OD x 5/8" ID	1
17	2010	Throttle Knob	1
18	2021	Screw, 4BA x 1/2" long	2
19	2034	Setscrew, 3/8" UNC x 3/4" long	4
20	2044	Nut, M8 Nyloc	24
21	2049	Washer, 5/8" Shakeproof	1
22	2062	Indicator Light, Green	1
23	2063	Indicator Light, Amber	1
24	2064	Indicator Light, Red	1
25	2065	Nut, Ignition Switch	1
26	2217	Spring	2
27	2648	Knob	1
28	2761	Nut, M10 Nyloc	7
29	2763	Washer, M6 (Form B Light)	14
30	2764	Setscrew, M8 x 20mm long	11
31	2767	Nut, M6 Nyloc	6
32	3038	'J' Nut, No.8	1
33	3468	Belt Guide Assembly, Engine Pulley	1
34	3548	Pulley	1
35	3863	Spacer	1

Item	Part No	Description	Qty
36	5480	Setscrew, M8 x 30mm long	4
37	3847	Screw, No.12 x 1/2" long	8
38	4086	'R' Clip	6
39	4111	Setscrew, M8 x 25mm long	6
40	4118	'J' Nut, No.12	12
41	4144	Throttle Plate	1
42	4180	Washer, M8	4
43	4182	Washer, M10	4
44	4192	Split Pin, 3/32" x 1/2" long	2
45	4718	Lever	1
46	4831	Washer, Starlock	1
47	5035	Seat	1
48	5093	Bolt, M8 x 50mm	1
49	5600	Bezel, Starter Switch	1
50	5655	Belt, A50	1
51	5656	Belt, A51	1
52	5728	Spacer, Bearing Housing	1
53	5730	Jockey Pulley	2
54	5732	Jockey Arm, Top	1
	6332	Jockey Arm, Bottom	1
55	5734	Bush, Jockey Arm	1
56	5735	Belt Guide	2
57	5741	Bracket, PTO Lever	2
58	5744	Bar, Seat Retaining	2
59	5752	Seat Pedestal	1
60	5757	Pulley, PTO Drive	1
61	5758	PTO Shaft	1
62	6327	Centre Floor Panel	1
	6305	Trim, 370mm long	As req
63	5761	Bearing Housing	1
64	5763	PTO Lever	1
65	5766	Retaining Plate, Rear	1
66	5768	Bracket, Seat Pivot	1
67	5769	Seat Plate	1
68	5779	Chassis	1

Item	Part No	Description	Qty
69	5783	Battery Tray	1
70	5784	Back Plate, Seat Pedestal	1
71	5790	Bracket, Collector Mounting	1
72	5808	Link, PTO Engage	1
73	6308	Rod, Jockey Operating	1
74	5824	Spacer, PTO Bearing Housing	4
75	5833	Pulley Block	1
76	5834	Spacer, Shouldered	2
77	5845	Console Cover Plate	1
78	6306	Flex Tred	As req
79	5848	Setscrew, M10 x 65mm long	2
80	6202	Bolt, 3/8" UNF x 3" long	1
81	6422	Switch, Arcoelectric	1
82	5861	Hanger Bar	1
83	5862	Stud, Hanger Bar Support	2
84	5863	Hitch Bar	1
85	6294	Rod, Brake Operating	1
86	6429	Flanged Joining Plate	1
87	6230	Arm, Brake Operating	1
88	6297	Rod Operating, Foot Pedal	1
89	6313	Foot Pedal Arm	1
90	6116	Nut, M10 Plain	2
91	6117	Setscrew, M10 x 25mm long	2
92	6119	Bolt, M10 x 40mm long	2
93	4125	Washer, 1/2" T3L	1
94	6139	Spacer, Foot Pedal	1
95	6428	Support Bracket	1
96	6147	Pulley Guard	1
97	6148	Roller, Rear Hanger	2
98	6150	Pillar, Cutter Brake	1
99	6431	Footplate, LH	1
100	6432	Footplate, RH	1
101	6160	Rod, Cutter Engage	1
102	6164	Swivel, Engage Rod	3
103	6316	Swivel, Long	1

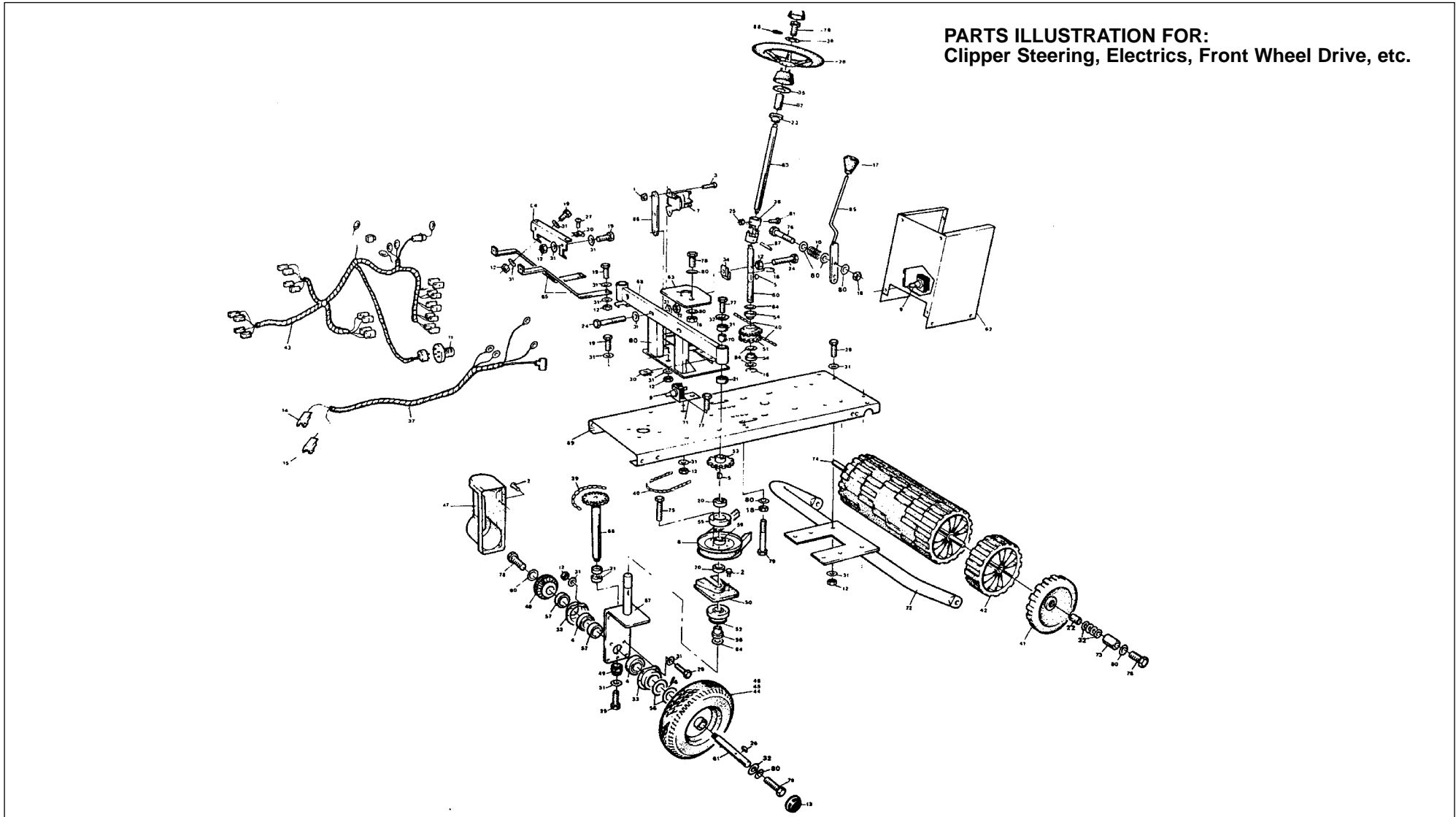


PARTS LIST FOR: Clipper Chassis, Body Panels and Controls

Item	Part No	Description	Qty
104	6170	Setscrew, M6 x 20mm long	2
105	6199	Washer	4
106	6203	Console	1
107	6204	Bar, Battery Retaining (early machines)	1
	6322	Bracket, Retaining (later machines)	1
108	6205	Nut, 1/4" UNC Wing	1
109	6209	Washer, M10 Shakeproof	1
110	6224	Rubber Seat Stop	2
111	6326	Brake Pad	1
112	6310	Rod, Park Brake	1
113	6315	Support Post, Brake Rod	1
114	6311	Plunger, Park Brake	1
115	2003	Spring, Compression	2
116	6336	Spacer, Shouldered	2
117	2103	Spring, Clutch	1
118	3349	Pin	1

Item	Part No	Description	Qty

Item	Part No	Description	Qty



PARTS LIST FOR:

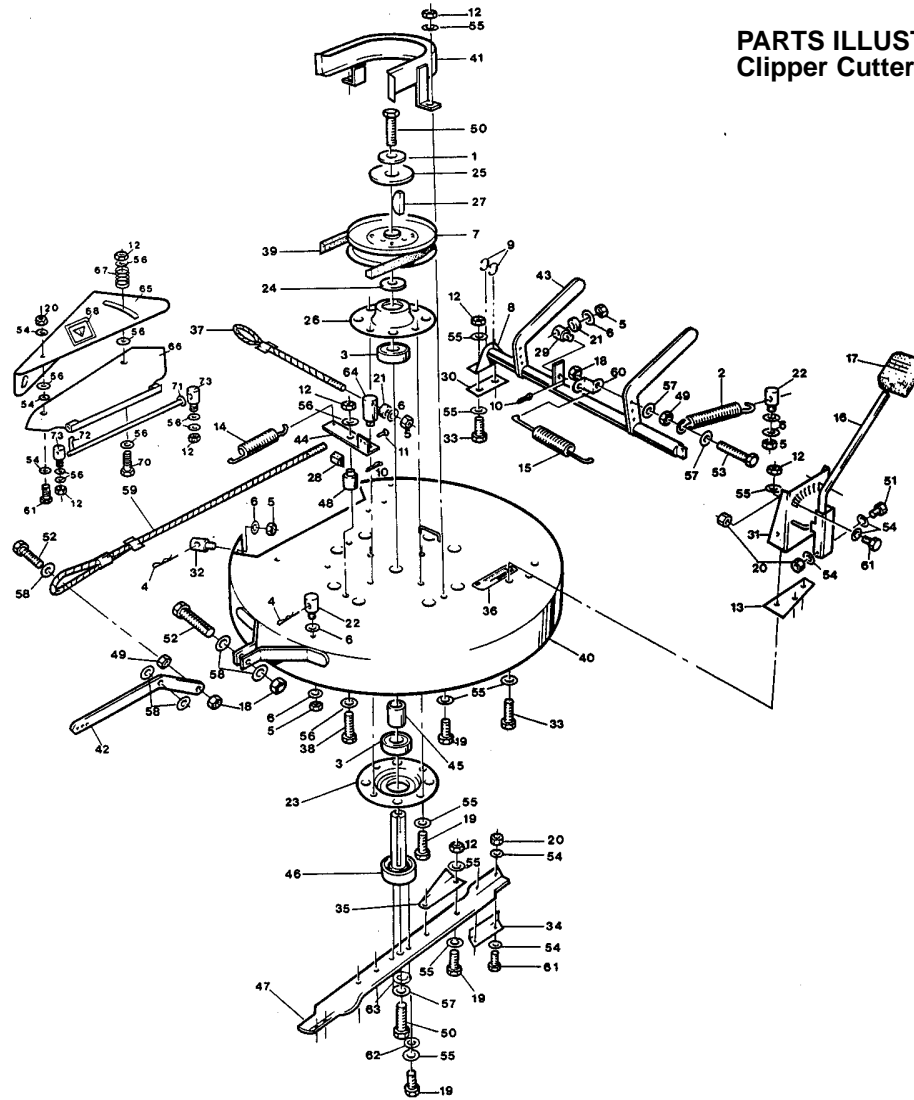
Clipper Steering, Electrics, Front Wheel Drive, etc.

Item	Part No	Description	Qty
1	1053	Nut, 2BA Nyloc	2
2	1058	Screw, No.8 x 3/8" long, Self Tapping	12
3	1143	Screw, 2BA x 7/8" long	2
4	1180	Bearing, NSK 6205-RS	4
5	1181	Woodruff Key, No.505	2
6	1457	Roll Pin, 1/8" x 3/4" long	2
7	1530	Solenoid	1
8	1558	Pulley	2
9	1608	Safety Switch	3
10	1613	Spring	1
11	1649	Ignition Switch	1
12	2044	Nut, M8 Nyloc	20
13	2068	Hub Cap	2
14	2090	Battery Connector – Red	1
15	2091	Battery Connector – Blue	1
16	2589	'E' Spring Clip	2
17	2649	Knob	1
18	2761	Nut, M10 Nyloc	5
19	2764	Setscrew, M8 x 20mm long	5
20	3031	Bearing, NSK 6203-2RS	4
21	3229	Bearing, NSK 6003 ZZ	8
22	3355	Bush, Axle	14
23	3539	Bush, Steering Column	1
24	3653	Setscrew, M8 x 40mm long	3
25	3689	Nut, M5 Nyloc	1
26	3728	Woodruff Key, No.806	2
27	3847	Screw, No.12 x 1/2" long	4
28	3946	Steering Wheel	1
29	4111	Setscrew, M8 x 25mm long	6
30	4118	'J' Nut	4
31	4180	Washer, M8	8
32	3713	Washer, 33mm OD x 49/64" ID x 16g	7
33	4265	Bearing Housing	4
34	4309	'J' Nut, M8 Captive	1
35	4771	Washer, Steering Wheel	1

Item	Part No	Description	Qty
36	4808	Steering Washer	1
37	5647	Loom, Battery Circuit	1
38	5651	Universal Joint	1
39	5652	Chain, Short (Gearbox Drive)	2
40	5653	Chain, Long (Steering)	2
41	5659	Roller, End Cap	2
42	5660	Roller, Section	7
43	5662	Loom, Main Wiring	1
44	5665	Tyre, 12 x 4	2
45	5666	Inner Tube	2
46	5667	Wheel Rim and Hub	2
47	5669	Gear Guard	2
48	5670	Bevel Gear, Large	2
49	5671	Bevel Gear, Small	2
50	5673	Chain Guard	2
51	5678	Steering Sprocket (14 Teeth)	1
52	5679	Input Sprocket	2
53	5681	Steering Sprocket (28 Teeth)	2
54	5683	Bush, Oilite	2
55	5684	Bearing Housing	2
56	5720	Washer	4
57	5724	Spacer	4
58	5726	Spacer, Top Hat	4
59	5727	Spacer, Bearing	2
60	5738	Steering Column, Short	1
61	5747	Wheel Axle	2
62	5752	Seat Pedestal	1
63	5765	Plate, Steering Assembly	1
64	5767	Retaining Plate, Front	1
65	5770	Axle Brace	2
66	5772	Input Sprocket	2
67	5773	Gearbox Housing	2
68	5775	Axle/Steering Box	1
69	5779	Chassis	1
70	5782	Spacer, Axle Bearing	2

Item	Part No	Description	Qty
71	6366	Bracket, Switch Mounting	1
72	5798	Bracket, Roller Mounting	1
73	5805	Spacer, Roller Shaft	2
74	5806	Roller, Shaft	1
75	5847	Setscrew, M6 x 30mm long	6
76	5848	Bolt, M10 x 65mm long	1
77	5849	Setscrew, Nyloc M8 x 20mm long	2
78	5850	Setscrew, M10 x 25mm long	8
79	6120	Bolt, M10 x 45mm long	2
80	6124	Washer, M10 (Form B)	6
81	6130	Bolt, M5 x 35mm long	1
82	6131	Spacer, Steering Column	1
83	6132	Steering Column	1
84	6156	Washer, Steering Sprocket	2
85	6165	Engage Lever	1
86	6206	Bracket, Solenoid Mounting	1
87	6207	Roll Pin, 5mm x 35mm long	1
88	6209	Washer, M10 Shakeproof	1

**PARTS ILLUSTRATION FOR:
Clipper Cutter Deck**



PARTS LIST FOR: Clipper Cutter Deck

Item	Part No	Description	Qty
1	1066	Washer, Hardened Domed	1
2	1076	Spring, Tension	2
3	1180	Bearing, NSK 6205-RS	2
4	1225	'R' Clip	3
5	1270	Nut, 1/4" UNF Nyloc	8
6	1331	Washer, 1/4" T3L	22
7	3458	Pulley	1
7A	6814	Boss (for Pulley - 3458)	1
7B	8499	Pulley & Boss	1
8	1614	Support Bracket	1
9	1663	'E' Clip	2
10	1667	Split Pin	2
11	1956	Screw, Self Tapping, No.8	2
12	2044	Nut, M8 Nyloc	16
13	2429	Reinforcing Plate	1
14	2594	Spring, Tension	1
15	2595	Spring	1
16	3881	Lever, Height Adjuster	1
17	2649	Knob	1
18	2761	Nut, M10 Nyloc	4
19	2764	Setscrew, M8 x 20mm long	12
20	2767	Nut, M6 Nyloc	8
21	3329	Spacer, 1/2" OD x 8.2mm x 7/16" long	2
22	3516	Spring, Retainer	3
23	3552	Bearing Housing	1
24	3618	Washer, 35mm OD x 25.2mm ID x 4mm long	1
25	3635	Washer, 2.75" OD x 30mm ID x 10g	1
26	3639	Bearing Housing, small	1
27	3728	Woodruff Key, No.806	1
28	3730	Brake Block	1
29	3740	Pivot, Hitch Rod	1
30	3781	Spacer Plate (Height Adjuster Bracket)	1
31	3883	Quadrant, Height Adjuster	1

Item	Part No	Description	Qty
32	3902	Retaining Pin	3
33	4111	Setscrew, M8 x 25mm long	5
34	4314	Blade Extension, small	2
35	4317	Blade Extension, large	2
36	4860	Label, Serial No.	1
37	4941	Brake Cable	1
38	5093	Bolt, M8 x 50mm long	1
39	5672	Belt, B65	1
40	5827	Cutter Deck Shell	1
41	5830	Belt Guard	1
42	5835	Hanger Arm	1
43	5836	Hanger Bar Assembly	1
44	5840	Brake Arm	1
45	6087	Bearing Spacer	1
46	6088	Cutter Shaft	1
47	6096	Cutter Blade	1
48	6110	Post, Brake Lever	1
49	6116	Nut, M10 Plain	3
50	6117	Setscrew, M10 x 25mm long	2
51	6118	Bolt, M6 x 35mm long	1
52	6375	Setscrew, M10 x 40mm long	2
53	6119	Bolt, M10 x 45mm	2
54	6121	Washer M6 (Form B)	11
55	6122	Washer, M8 (Form B)	24
56	6123	Washer, M8 (Form C)	18
57	6124	Washer, M10 (Form B)	1
58	6125	Washer, M10 (Form C)	8
59	6129	Cable, Height Adjuster	1
60	6155	Retainer, Spring	1
61	6170	Setscrew, M6 x 20mm long	7
62	6208	Washer, M8 Internal Shakeproof	2
63	6209	Washer, M10 Internal Shakeproof	1
64	6220	Pillar, Brake Arm	1
65	6474	Sliding Plate, Side Discharge	1
66	6476	Swivel Plate, Side Discharge	1

Item	Part No	Description	Qty
67	1613	Spring	1
68	4968	Label, Hazard Warning (large)	2
69	4826	Rod	1
70	3653	Setscrew, M8 x 40mm long	1
71	4831	Starlock Fastener	1
72	4086	'R' Clip	1
73	6478	Hinge Pillar	2
	6430	NOT ILLUSTRATED Deck Reinforcing Plate (for Chute Exit)	1

**PARTS ILLUSTRATION FOR:
Clipper Vacuum Collector**

