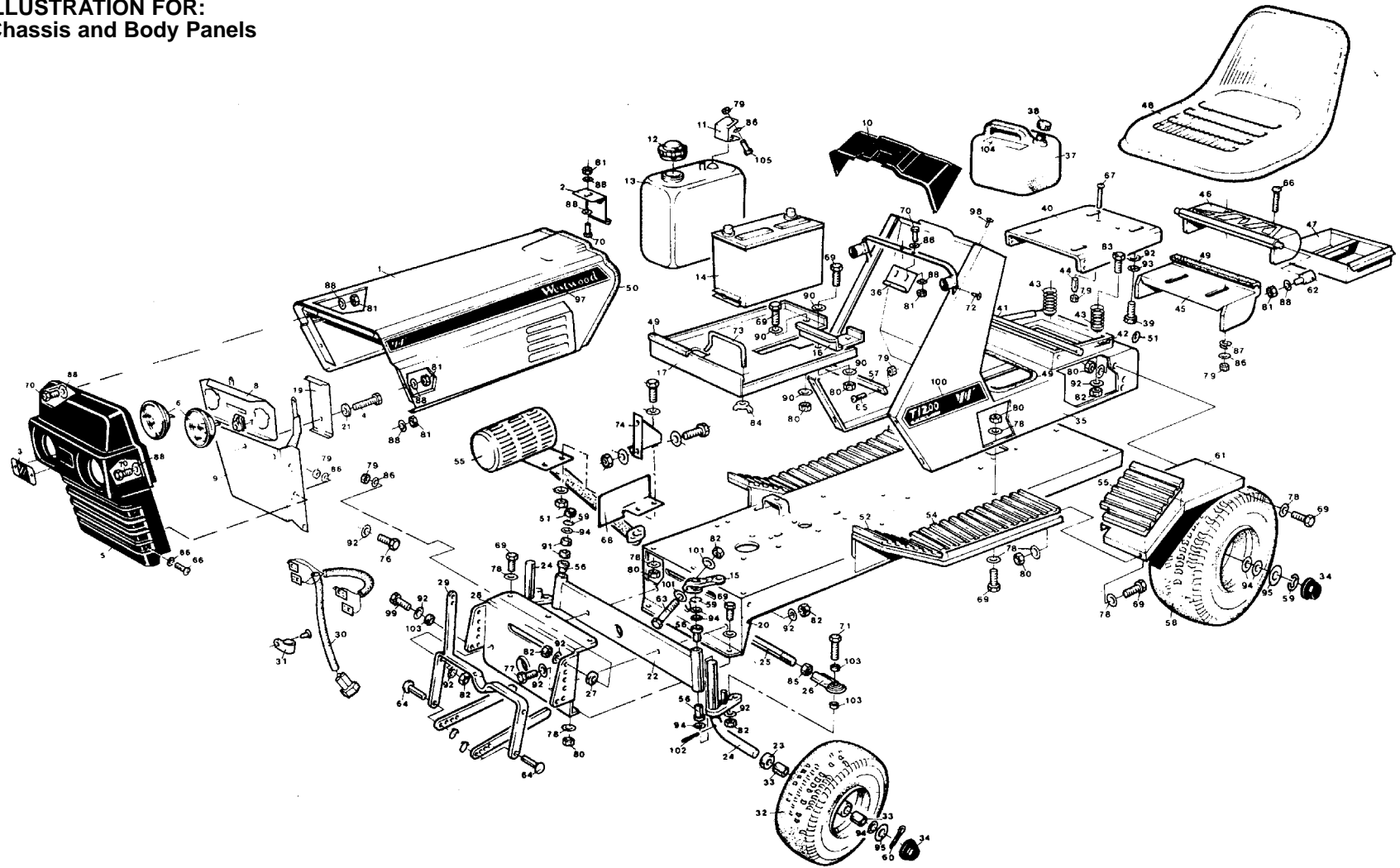


# GARDEN TRACTORS 1991 PARTS CATALOGUE CONTENTS

	<b>PAGE No.</b>
TRACTOR CHASSIS AND BODY PANELS	2 – 4
BONNET AND GRILLE ASSEMBLY 16 AND 18 HP MODELS ONLY	5 – 6
STEERING, GEAR CHANGE AND ELECTRICS	7 – 9
TRACTOR CHASSIS, PTO, BRAKE AND CUTTER ENGAGE CONTROLS	10 – 12
“S” SERIES – UPPER BODY, GEAR CHANGE, PTO AND CUTTER ENGAGE CONTROLS	13 – 15
HYDROSTATIC DRIVE MODELS T1250H/T1800H	16 – 18
30” SIDE DISCHARGE CUTTER DECK	19 – 20
36” STANDARD CUTTER DECK	21 – 22
42” CONTRA-ROTATING CUTTER DECK 6713	23 – 24

**PARTS ILLUSTRATION FOR:  
Tractor Chassis and Body Panels**



## PARTS LIST FOR: Tractor Chassis and Upper Body Panels

Item	Part No	Description	Qty
1	4956	Bonnet	1
	4833	Bonnet (T1600 and T1800 only)	1
	6781	Bonnet (D1200 only)	1
2	5430	Bonnet Catch	1
3	1945	Split Ring	2
4	5480	Setscrew, M8 x 30mm long	1
5	4682	Grille Plastic (Black)	1
	6445	Grille Plastic (Grey)	1
6	3727	Headlamp	2
7	4309	Nut, M8 "J" Type	1
8	6214	Headlamp Mounting Plate	1
9	5434	Grille Heat Shield	1
10	2943	Console Front (Black)	1
	6443	Console Front (Grey)	1
11	3959	Bracket, Fuel tank	1
12	3963	Cap, Fuel tank	1
13	3960	Fuel tank	1
14	1209	Battery, 12 volt Type 138	1
15	4930	Steering Arm	1
16	3411	Bracket, Battery Clamp	1
17	3416	Support Tray, Battery/Fuel Tank	1
18	3689	Nut, M5 Nyloc	1
19	6215	Headlamp Retaining Plate	1
20	4929	Chassis Bracket (Rear)	1
21	2847	Washer	1
22	2296	Axle Beam	1
	1423	Grease Nipple	2
23	1980	Wheel Spacer	2
24	6200	Stub axle, Left Hand	1
	6201	Stub Axle, Right Hand	1
25	6779	Track rod	1
26	6487	Ball Joint	2
27	3683	Spacer	2
28	4926	Chassis Bracket (Front)	1
29	5506	Hitching Bracket (36" Cutter Decks)	1

Item	Part No	Description	Qty
	3944	Hitching Bracket (42" Cutter Decks)	1
30	3512	Headlamp Wiring Harness	1
31	3716	Cable Clip	1
32	1749	Front Wheel Assembly ("S" Series)	1
	2797	Wheel Rim	1
	1163	Tyre	1
	1201	Inner Tube	1
	2796	Front Wheel Assembly ("T" Series)	1
	1541	Wheel Rim	1
	1539	Tyre	1
	1540	Inner Tube	1
33	3354	Bush, Oilite	4
34	4230	Hub Cap	4
35	2862	Body assembly	1
36	5431	Bonnet Catch	1
37	1658	Fuel Can	1
38	1659	Cap, Fuel Can	1
39	2034	Setscrew, 3/8" UNF x 3/4" long	4
40	2912	Seat Plate	1
41	2067	Pin, Seat Plate	1
42	1225	"R" Clip (Large)	1
43	2898	Seat Spring	2
44	3290	Boss, Spring Locating	2
45	3532	PTO Flap (Inner)	1
46	3660	PTO Flap (Outer)	1
47	2919	Tool Tray	1
48	5035	Seat (Black)	1
	6446	Seat (Grey)	1
49	4229	Beading	p/ft
50	4832	Seal	p/ft
51	2068	Hub Cap	1
52	5644	Foot Mats, Front (Black)	1 pr
	6480	Foot Mats, Front (Grey)	1 pr
53	5645	Foot Mats, Centre (Black)	1 pr
	6481	Foot Mats, Centre (Grey)	1 pr

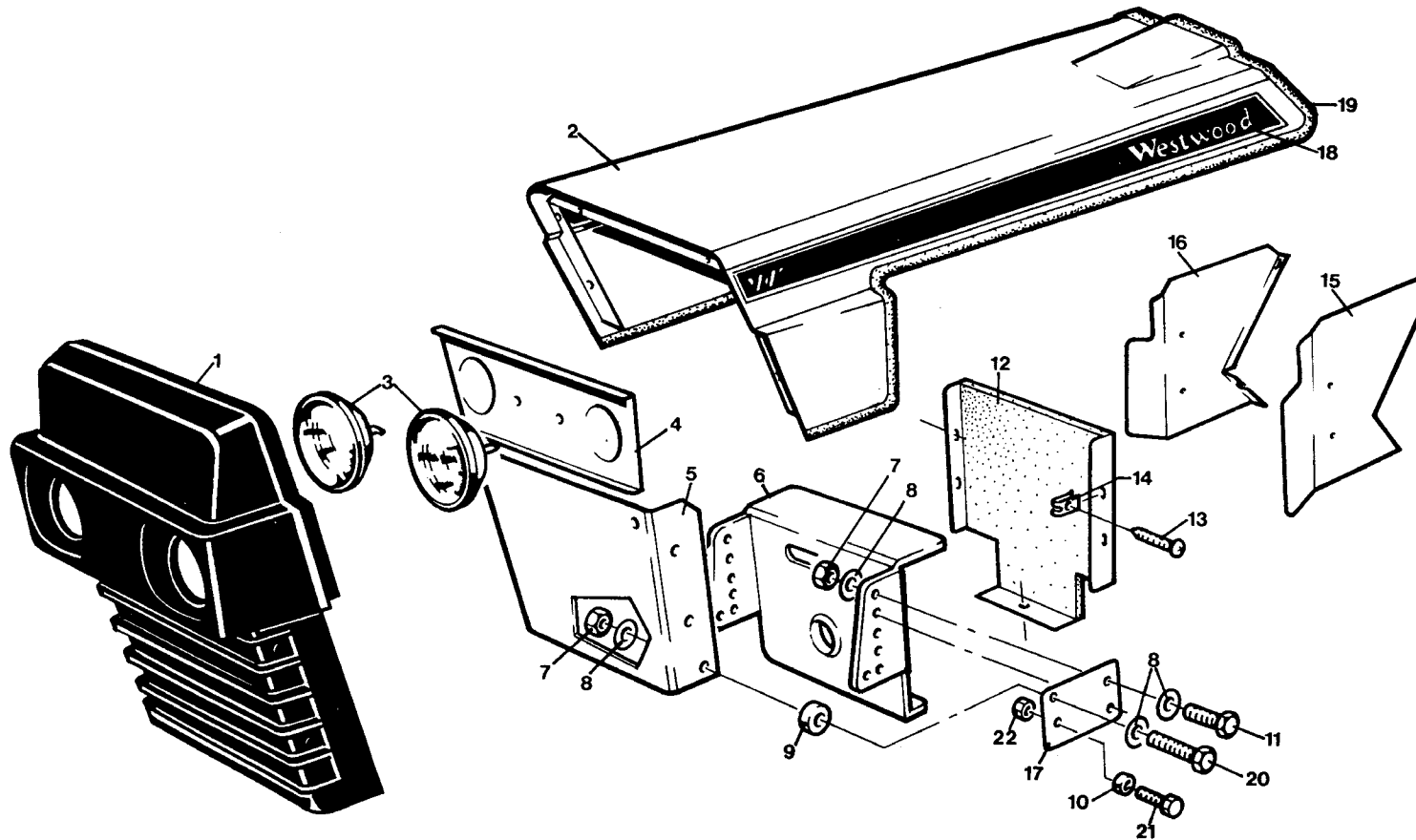
Item	Part No	Description	Qty
54	5646	Foot Mats, Rear (Black)	1 pr
	6482	Foot Mats, Rear (Grey)	1 pr
55	6183	Muffler (12 1/2 HP Kohler only)	
56	3355	Flanged Bush, Delryn 500	4
57		not allocated	
58	1746	Rear Wheel Assembly ("S" Series)	2
	1662	Wheel Rim	2
	1747	Tyre	2
	1748	Inner Tube	2
	1586	Rear Wheel Assembly ("T" Series)	2
	1662	Wheel Rim	2
	1587	Tyre	2
	1588	Inner Tube	2
59	1663	"E" Clip (AM1500-75)	4
60	1227	Split Pin, 1/8" dia. x 1 3/4" long	2
61	5442	Mudguard, Left Hand	1
	5443	Mudguard, Right Hand	1
62	3516	Hinge Pin	2
63	1267	Bolt, 3/8" UNF x 2 1/2" long	1
64	1731	Pin, Hitch Mounting	2
65	1734	Machine Screw, 2BA x 1/2" long	3
66	1735	Machine Screw, 2BA x 3/4" long	6
67	4215	Machine Screw, 2BA x 1 1/4" long	2
68	6615	Heat Shield (12 1/2 HP Kohler only)	1
69	1982	Setscrew, 5/16" UNF x 3/4" long	22
70	1156	Setscrew, 1/4" UNF x 3/4" long	10
71	1997	Bolt, 3/8" UNF x 1 3/4" long	2
72	5637	Screw, Self Tapping No. 6 x 3/8" long	2
73	6204	Battery Retaining Bar	1
74	4850	Mounting Bracket (12 1/2 Kohler only)	1
75		not allocated	
76	1054	Bolt, 3/8" UNF x 1 1/2" long	1
77	1200	Bolt, 3/8" UNF x 2 1/4" long	2
78	1105	Washer, 5/16" dia. (T3L)	24
79	1053	Nut, 2BA Nyloc	37



## PARTS LIST FOR: Tractor Chassis and Upper Body Panels

Item	Part No	Description	Qty	Item	Part No	Description	Qty	Item	Part No	Description	Qty
80	1273	Nut, 5/16" UNF Nyloc	83		4838	Logo, "Laser L80" Right Hand	1				
81	1270	Nut, 1/4" UNF Nyloc	9		4839	Logo, "Laser L95" Left Hand	1				
82	1324	Nut, 3/8" UNF Nyloc	36		4840	Logo, "Laser L95" Right Hand	1				
83	2015	Setscrew, 3/8" UNF x 1" long	2		4841	Logo, "Laser L110" Left Hand	1				
84	6205	Wiring Nut, 1/4" UNC	1		4842	Logo, "Laser L110" Right Hand	1				
85	3792	Locknut, 3/8" UNF	2		4843	Logo, "Laser L120" Left Hand	1				
86	1962	Washer, 2BA	15		4844	Logo, "Laser L120" Right Hand	1				
87	3799	Washer, 1/4" dia. Coil Spring	2		6371	Logo, "Mountfield 11/30" Left Hand	1				
88	1331	Washer, 1/4" dia, (T3L)	20		6372	Logo, "Mountfield 11/30" Right Hand	1				
89	3947	Washer, 3/16" id x 1" od	1		6436	Logo, "Mountfield 11/36" Left Hand	1				
90	1105	Washer, 5/16" dia. (T3L)	4		6437	Logo, "Mountfield 11/36" Right Hand	1				
91	5479	Spacer, Stub Axle	2		6434	Logo, "Mountfield 16/42" Left Hand	1				
92	1323	Washer, 3/8" dia. (T3L)	20		6435	Logo, "Mountfield 16/42" Right Hand	1				
93	1633	Washer, 3/8" dia. Shakeproof	4	101	2847	Washer	2				
94	3712	Washer, Shim 20g	14	102	1553	Roll Pin, 1/8" dia. x 1 1/2" long	2				
	3713	Washer, Shim 16g	8	103	1680	Spacer	2				
95	3908	Washer, Hub Cap	6	104	3440	Label "Safety First"	1				
96	4973	Logo "Westwood"	1	105	4659	Bolt, M5 x 16 mm long	1				
	5410	Logo "Laser"	1								
	6376	Logo "Mountfield"	1								
97	4970	Logo "Westwood" Left Hand	1								
	4971	Logo "Westwood" Right Hand	1								
	4835	Logo "Laser" Left Hand	1								
	4836	Logo "Laser" Right Hand	1								
	6408	Logo "Mountfield" Left Hand	2								
	6433	Logo "Mountfield" Right Hand	2								
98	1629	Screw, Self Tapping No. 6	2								
99	1948	Setscrew, 3/8" UNF x 1 1/4" long	2								
100	4974	Logo, "T1200" Left Hand	1								
	4975	Logo, "T1200" Right Hand	1								
	4984	Logo, "T1600" Left Hand	1								
	4985	Logo, "T1600" Right Hand	1								
	4897	Logo, "T1800" Left Hand	1								
	4898	Logo, "T1800" Right Hand	1								
	4837	Logo, "Laser L80" Left Hand	1								

**PARTS ILLUSTRATION FOR:  
Bonnet and Grille Assembly  
16 and 18 HP Models Only**



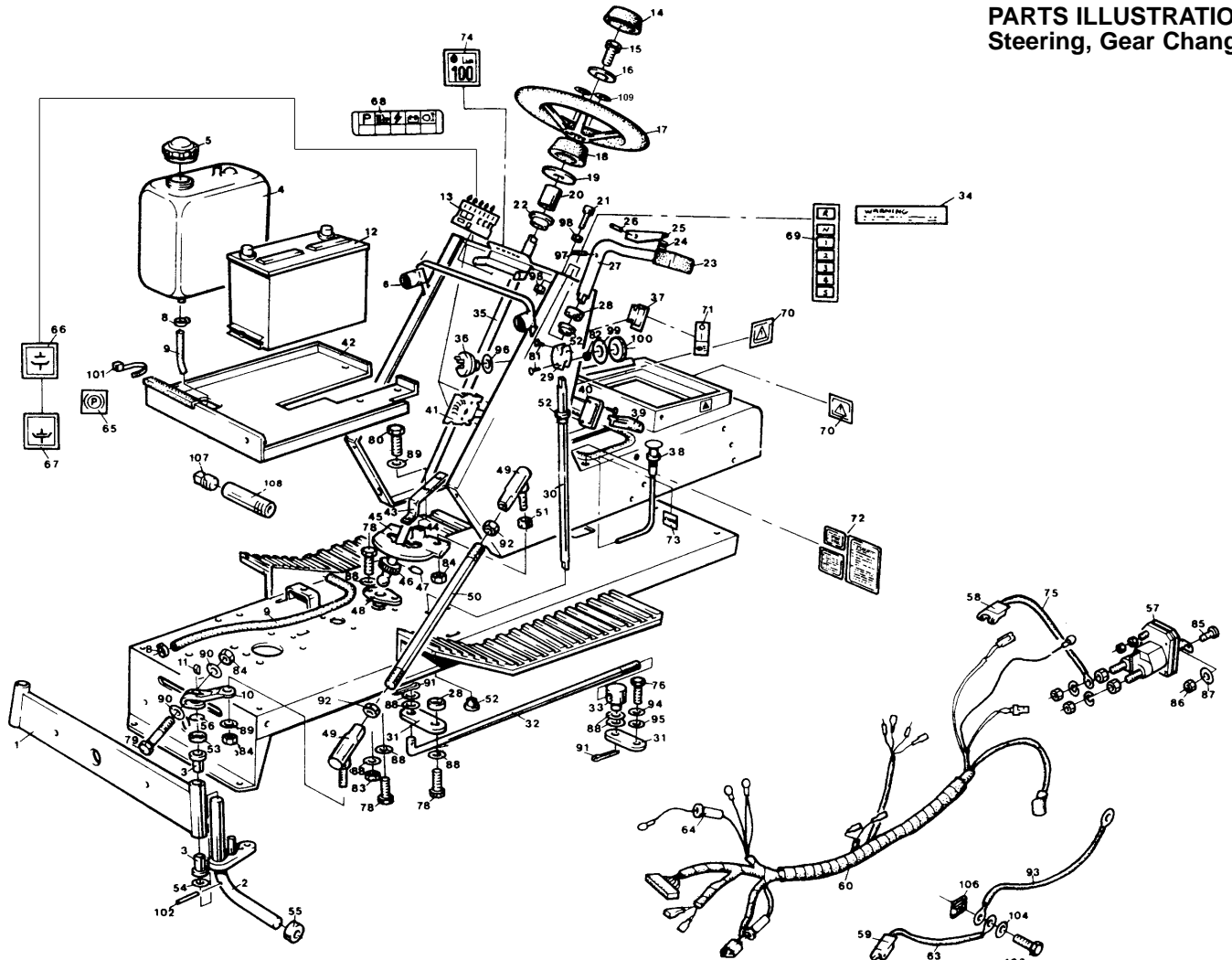


# PARTS LIST FOR:

## Bonnet and Grille Assembly – 16 and 18 HP Models only

Item	Part No	Description	Qty	Item	Part No	Description	Qty	Item	Part No	Description	Qty
1	4682	Grille, Black Plastic	1								
	6445	Grille, Grey Plastic	1								
2	4833	Bonnet assembly	1								
3	3727	Headlights	2								
4	6214	Headlight Mounting Plate	1								
5	5434	Grille Heatshield	1								
6	4926	Chassis Front, Forward	1								
7	1324	Nut, 3/8" UNF Nyloc	6								
8	1323	Washer, 3/8" (T3L)	12								
9	3683	Spacer	2								
10	3397	Spacer	2								
11	2015	Setscrew, 3/8" UNF x 1"	4								
12	4869	Back Plate	1								
13	1338	Screw Self Tapping No. 12 x 1"	4								
14	4118	Nut, 'J' Type No. 12	4								
15	4867	Side Panel, Left Hand	1								
16	4868	Side Panel, Right Hand	1								
17	4846	Pivot Plate	2								
18	4976	Logo, Westwood Left Hand	1								
	4977	Logo, Westwood Right Hand	1								
	4836	Logo, Laser LH	1								
	4835	Logo, Laser RH	1								
	6408	Logo, "Mountfield"	2								
	6433	Logo, "Honda"	2								
19	4229	Beading	p/ft								
20	3610	Setscrew, 3/8" UNF x 1.5"	2								
21	1982	Setscrew, 5/16" UNF x 3/4"	2								
22	1273	Nut, 1/4" UNF Nyloc	2								
		<b>Note:</b>									
		1. For Grille to Bonnet Attachments,									
		see parts illustration on Page 2.									
		2. T1600 Upper Heat Shield,									
		Part No. 4864 not illustrated.									

**PARTS ILLUSTRATION FOR:  
Steering, Gear Change and Electrics**



## PARTS LIST FOR: Steering, Gear Change and Electrics

Item	Part No	Description	Qty
1	2296	Axle Beam	1
2	6200	Stub Axle, Left Hand	1
	6201	Stub Axle, Right Hand	1
3	3355	Bush, Flanged (Delryn 500)	4
4	3960	Fuel Tank	1
5	3963	Cap, Fuel Tank	1
6	4148	Grommet	1
7	6107	Steering Limit Stop	2
8	3940	Snapper Clip No. 6	6
9	3859	Fuel Pipe	As req
10	4930	Steering Arm	1
11	1098	Woodruff Key No. 608	1
12	1209	Battery, Type 138	1
13	3587	Printed Circuit Board (PCB)	1
	5484	Printed Circuit Board (Kohler 12 <sup>1</sup> / <sub>2</sub> & 18 HP engines only)	1
14	5425	Cover, Steering Wheel	1
15	1334	Bolt, 5/16" UNF x 3/4" long	1
16	4808	Washer, Hardened	1
17	3946	Steering Wheel (Black)	1
	6447	Steering Wheel (Grey)	1
18	5426	Shroud, Steering Wheel	1
19	4771	Washer	1
20	4770	Spacer, Steering Column	1
21	5599	Socketscrew, 1/4" UNF x 1 1/4" long	1
22	3539	Bush, Steering Column	1
23	2649	Knob	1
24	2925	Spring	1
25	2884	Latch, Gear Lever	1
26	1457	Roll Pin, 1/8" dia. x 3/4" long	2
27	2881	Gear Lever, Upper	1
28	3582	Spacer, Gear Lever Lower	1
29	2883	Knuckle, Gear Change	1
30	2882	Gear Lever, Lower	2
31	4718	Lever, Gear Change	1

Item	Part No	Description	Qty
32	4719	Rod, Gear Change	1
33	1694	Swivel	1
34	6661	Label – Gear Change Warning	1
35	3475	Steering Column	1
36	2703	Ignition Switch	1
	2066	Key	1
	5600	Bezel	1
37	3561	Switch, Headlights	1
38	3559	Choke Control, 16 & 18 HP engines only	1
39	2010	Knob, Throttle	1
40	4144	Throttle Plate (B & S 8, 10, 11 12 HP)	1
	4145	Throttle Plate (Kohler 18 HP)	1
	4146	Throttle Plate (Kohler 12 <sup>1</sup> / <sub>2</sub> HP)	1
	4216	Throttle Plate (B & S 16HP & Diesel)	1
41	1507	Throttle Control	1
	5482	Throttle Control (Kohler 12 <sup>1</sup> / <sub>2</sub> HP only)	1
	1808	Throttle Control (B & S 16 HP only)	1
	5444	Throttle Control (Kohler 18 HP only)	1
	6704	Throttle Control (Ruggerini)	1
42	3416	Support Tray, Battery/Tank	1
43	3401	Bridge, Steering Quadrant	1
44	3400	Bush, Steering Quadrant	1
45	3403	Steering Quadrant	1
	1473	Grease Nipple	1
46	2276	Steering Gear	1
	1104	Woodruff Key	1
47	2589	"E" Clip (AM1500–62)	2
48	1699	Steering Column Base	1
49	6515	Ball Joint, LH Thread	2
	6487	Ball Joint, RH Thread	2
50	6777	Drag Link	1
	5485	Drag Link (Kohler 12 <sup>1</sup> / <sub>2</sub> HP only)	1
51	1680	Spacer	2
52	3541	Bush, Gear change Lever	3

Item	Part No	Description	Qty
53	5479	Spacer	2
54	3712	Washer, Shim 20g	As req
	3713	Washer, Shim 16g	As req
55	1980	Spacer	2
56	1663	"E" Clip (AM1500–75)	4
57	1530	Solenoid	1
58	2090	Battery Connector – Red	1
59	2091	Battery Connector – Blue	1
60	3457	Wiring loom – B&S 8, 10, 16HP engines	1
	4717	Wiring loom – B&S 11 HP engine only	1
	5855	Wiring loom – Kohler engines only	1
	6453	Wiring loom – B&S 12 HP engine only	1
	6756	Wiring loom – Ruggerini Diesel only	1
61	3117	Spacer	1
62	2021	Machine Screw, 4BA x 1/2" long	2
63	3678	Earth Lead, Battery	1
64	6790	Fuse Holder	1
	6789	Fuse, 10 amp anti surge	1
	5616	Fuse, 20 amp – Kohler engines	1
65	3437	Label, Park Brake	1
66	3436	Label, Cutter Disengage	1
67	3435	Label, Cutter Engage	1
68	3956	Label, Indicator Lights	1
69	3484	Label, Gear Change	1
70	4967	Label, Headlights	1
71	3431	Label, Headlight Switch	1
72	4969	Label, Operating Instruction	1
73	3605	Label, Choke – 16 & 18 HP engines	1
74	4972	Label, EEC Noise	1
75	1814	Battery Positive Lead	1
76	1156	Setscrew, 1/4" UNF x 3/4" long	3
77	1997	Bolt, 3/8" UNF x 1 3/4" long	4
78	1982	Setscrew, 5/16" UNF x 3/4" long	3
79	1267	Bolt, 3/8" UNF x 2 1/2" long	4





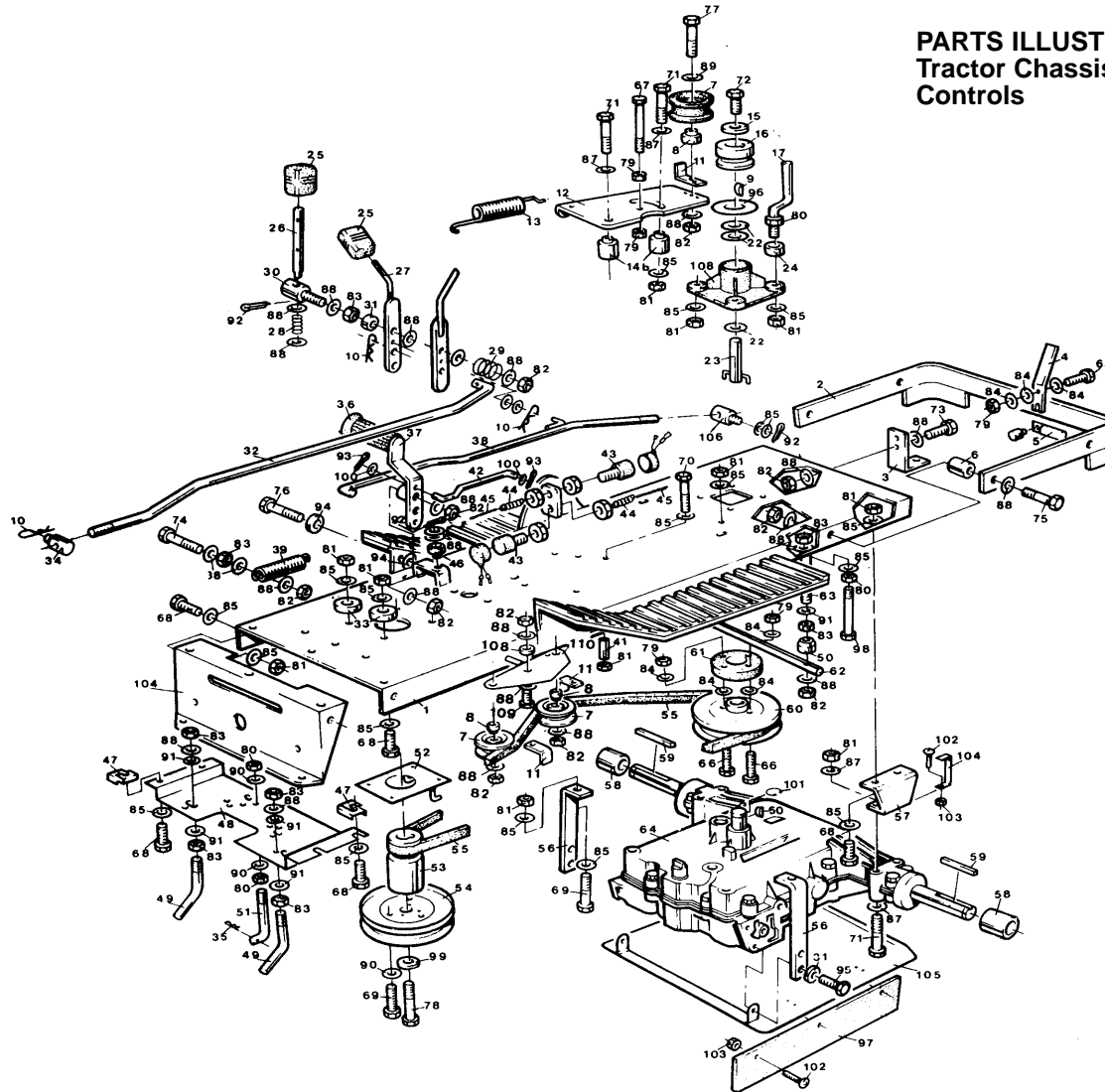
## PARTS LIST FOR: Steering, Gear Change and Electrics

Item	Part No	Description	Qty
80	2025	Bolt, 3/8" UNF x 2" long	1
81	3688	Setscrew, M5 x 25 mm long	2
82	3689	Nut, M5 Nyloc	2
83	1273	Nut, 5/16" UNF Nyloc	3
84	1324	Nut, 3/8" UNF Nyloc	4
85	4809	Spacer, Gear Change Upper	1
86	1053	Nut, 2BA Nyloc	3
87	1962	Washer, 2BA	6
88	1105	Washer, 5/16" dia.	18
89	4124	Washer, 3/8" dia.	1
90	2847	25/64" ID x 7/8" OD	2
91	1233	Split Pin, 1/8" dia. x 3/4" long	3
92	3792	Locknut, 3/8" UNF	2
93	3460	Earth Lead, Solenoid	1
94	1331	Washer, 1/4" dia.	2
95	4242	Washer, Special	1
96	2049	Washer, 5/8" Shakeproof	1
97	2050	Roll Pin, 1/8" dia. x 1" long	2
98	1270	Nut, 1/4" UNF Nyloc	2
99	6523	Washer, 5/8" ID x 1" OD	1
100	2065	Nut, Ignition Switch	1
101	2080	Loom Tie	1
102	1553	Roll Pin, 1/8" dia. x 1 1/2" long	2
103	5840	Setscrew, M8 x 30mm long	1
104	4180	Washer, M8	2
105	2044	Nut, M8 Nyloc	1
106	4309	Nut "J" Type	1
107	3742	Drain Plug	1
108	6172	Oil Drain Tube (12 1/2 & 16 HP engines)1	
	6173	Oil Drain Tube (8, 11, 12 HP engines)	1
	6174	Oil Drain Tube (18 HP engine)	1
109	2840	Washer	2

Item	Part No	Description	Qty

Item	Part No	Description	Qty

**PARTS ILLUSTRATION FOR:  
Tractor Chassis, PTO, Brake and Cutter Engage Controls**





## PARTS LIST FOR: Tractor Chassis, PTO, Brake and Cutter Engage Controls

Item	Part No	Description	Qty
1	4927	Chassis	1
	6687	Chassis, "S" Series only	1
2	4963	Accessory Mounting Frame	1
3	2246	Tow Hitch	1
4	3478	Lever	2
5	3682	Latch Pin	2
6	3117	Pivot Bush	3
7	5822	Jockey Pulley	3
8	5478	Shouldered Spacer (Jockey Pulley)	3
9	3728	Woodruff Key No. 806	1
10	4086	"R" Clip (small)	3
11	5477	Belt Guide (Jockey Pulley)	3
12	2786	Jockey Plate	1
13	2791	Spring, Jockey Plate	1
14	6452	Shouldered Spacer (Jockey Plate)	2
15	1006	Washer, Hardened Domed	1
16	4337	Pulley, PTO Drive	1
17	6662	Belt Guide, PTO	1
18	4245	Bearing Spacer	1
19		Not Allocated	
20		Not Allocated	
21		Not Allocated	
22	5720	Washer, ("T" Series only)	1
	4246	Spacer, ("S" Series only)	1
23	4251	Shaft, PTO Drive (S1200 only)	1
	4252	Shaft, PTO Drive	1
24	3748	Spacer	4
25	2648	Knob	2
26	2643	Park Brake Plunger	1
27	2644	Lever, Cutter Engage	1
	6360	Lever, PTO Engage (not shown)	1
28	2003	Spring, Park Brake	1
29	1613	Spring, Engage Levers	1
30	2302	Pivot Boss	1
31	3683	Spacer	5

Item	Part No	Description	Qty
32	4340	Rod, Cutter Engage	1
	6217	Rod, Cutter Engage (18HP Kohler)	1
33	2351	Spacer, 1/2"	4
	4893	Spacer, 1" (Honda only)	1
	5445	Engine Mounting Plate, Front (Ruggerini & Kohler 18HP engines)	1
	5446	Engine Mounting Plate, Rear (Ruggerini & Kohler 18HP engines)	1
34	1695	Swivel, Engage Rod	1
35	1225	'R' Clip	1
36	2009	Foot Pedal Rubber	1
37	6082	Foot Pedal Arm	1
38	1710	Rod, Brake Operating	1
	6401	Rod, Brake Operating ("S" Series)	1
39	2103	Spring, Clutch	1
40		Not Allocated	
41	3528	Spacer, Gear Stop	1
42	3405	Rod, Brake Safety Switch	1
43	3414	Switch, Safety	2
44	3463	Spring, Tension	2
45	2592	Chain	2
46		Not Allocated	
47	4309	Nut, M8 Captive	5
48	4255	Plate, Belt Guide	1
49	4256	Belt Guide	2
50	4328	Spacer, Hanger Bar	1
51	2319	Pin, Retaining	1
52	3467	Belt Guide	1
	3469	Belt Guide, (16, 18hp & Diesel only)	1
53	6442	Engine Pulley Block	1
	1602	Drive Key	1
	4815	Drive Key ("S" Series only)	1
54	1558	Pulley, Cutter Drive	1
	3750	Pulley, Cutter Drive (30" Decks)	1
55	1688	Belt, Transmission (42-5654)	1

Item	Part No	Description	Qty
56	2831	Bracket, Transaxle Front	2
57	3482	Bracket, Rear, ("T" Series only)	2
	3483	Bracket, Rear, ("S" Series only)	2
58	1715	Spacer, Rear Wheel	2
59	1664	Drive Key (Rear Wheels)	2
60	3392	Pulley, Transaxle	1
	3395	Pulley, Transaxle (16HP, 18HP and Ruggerini only)	1
	1104	Woodruff Key, No. 606	1
61	3391	Flexible Coupling, PTO	1
	3606	Spacers	2
62	3991	Hanger Bar	1
63	3992	Support, Hanger Bar	2
64	2018	Transaxle, Peerless Type 832	1
	2019	Transaxle, Peerless Type 801-030	1
	2356	Brake Arm Extension	1
65	1159	Setscrew, 1/4" UNF x 3/4" long	2
66	2022	Bolt, 1/4" UNF x 1 1/4" long	2
67	2296	Bolt, 1/4" UNF x 2 1/2" long	1
68	1982	Setscrew, 5/16" UNF x 3/4" long	8
69	2031	Setscrew, 5/16" UNF x 1" long	5
70	1321	Bolt, 5/16" UNF x 1 1/2" long	4
71	1978	Bolt, 5/16" UNF x 2 1/2" long	6
72	1051	Setscrew, 3/8" UNF x 1" long Nyloc	1
73	2015	Setscrew, 3/8" UNF x 1" long	1
74	1948	Setscrew, 3/8" UNF x 1 1/4" long	1
75	1054	Bolt, 3/8" UNF x 1 1/2" long	2
76	1267	Bolt, 3/8" UNF x 2 1/2" long	1
77	1319	Bolt, 3/8" UNF x 2" long	3
78	3755	Bolt, 7/16" UNF x 3 1/2" long	1
	4342	Bolt, 7/16" UNF x 4 1/2" long (Honda)	1
	6202	Bolt, 3/8" UNF x 3" long (S1000)	1
79	1270	Nut, 1/4" UNF Nyloc	6
80	2040	Nut, 5/16" UNF Plain	4
81	1273	Nut, 5/16" UNF Nyloc	16



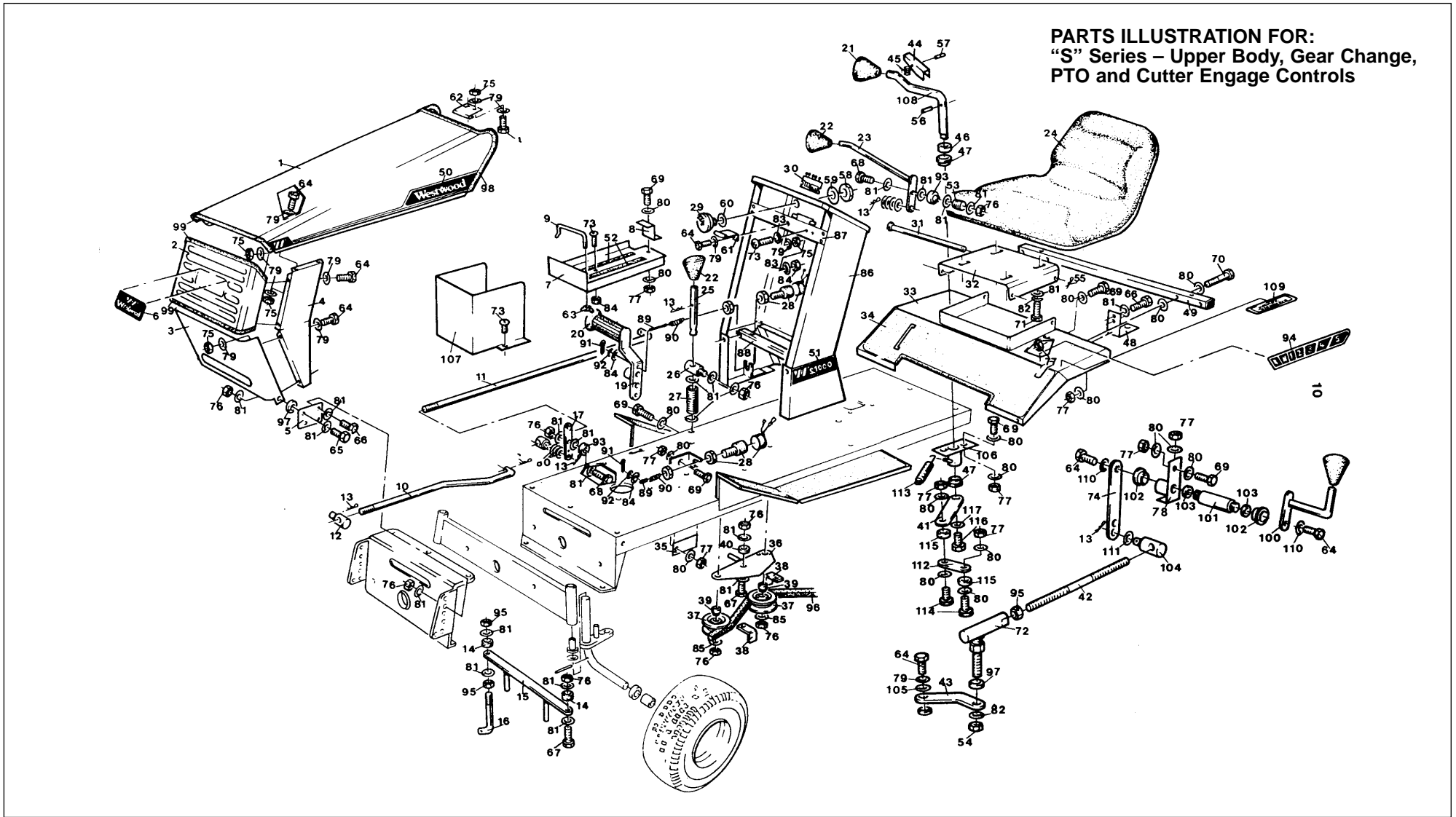
# PARTS LIST FOR:

## Tractor Chassis, PTO, Brake and Cutter Controls

Item	Part No	Description	Qty
82	1324	Nut, 3/8" UNF Nyloc	8
83	3792	Nut, 3/8" UNF Plain	10
84	1331	Washer, 1/4" dia. (T3L)	7
85	1105	Washer, 5/16" dia. (T3L)	30
86		Not Allocated	
87	3613	Washer, 5/16" dia. (T5L)	15
88	1323	Washer, 3/8" dia. (T3L)	13
89	2847	Washer, Jockey Pulley	3
90	2048	Washer, 5/16" Shakeproof	5
91	1633	Washer, 3/8" Shakeproof	8
92	1233	Split Pin, 1/8" dia. x 3/4" long	5
93	4192	Split Pin, 3/32" dia. x 1/2" long	2
94	4124	Washer, 1" od x 3/8" id	2
95	3845	Bolt, 5/16" UNF x 3/4" long (Taptite)	4
96	4308	Disc, PTO Drive Belt Support	1
97	3324	Deflector Rubber	1
98	1312	Bolt, 5/16" UNF x 3" long	1
	6662	Belt Guide, ("S" Series only)	2
99	6536	Washer, Engine Pulley	2
	6535	Washer, Engine Pulley (Kohler)	4
100	1962	Washer, 2BA	1
101	4204	Circlip, 5/8" dia.	5
102	1734	Machine Screw, 2BA x 1/2" long	5
103	1053	Nut, 2BA Nyloc	1
104	4929	Chassis Front, Rear	1
105	4858	Grass Deflector Assembly	1
106	1694	Swivel	1
107	4818	Bearing Housing, c/w Bearings	1
	1180	Bearings, NSK6205RS	1
108	6159	Bush, Jockey Plate	1
109	3610	Setscrew, 3/8" UNF x 1 1/2" long	2
110	6161	Jockey Plate	1

Item	Part No	Description	Qty

Item	Part No	Description	Qty





## PARTS LIST FOR: "S" Series – Upper Body Panels, Gear Change, PTO and Cutter Engage Controls

Item	Part No	Description	Qty
1	6651	Bonnet	1
2	6652	Grille, Upper	1
3	6653	Grille, Lower	1
4	6654	Grille Side, LH	1
	6655	Grille Side, RH	1
5	4846	Pivot Plate, Bonnet	1
6	4973	Westwood Logo, Grille	1
	6376	Mountfield Logo, Grille	1
7	6388	Battery Tray	1
8	6389	Battery Clamp	1
9	6204	Battery Retaining Bar	1
10	6395	Engage Rod, Short	1
11	6396	Engage Rod, Long	1
12	1695	Swivel, Engage Rod	2
13	4086	'R' Clip, Small	4
14	4372	Spacer	1
15	3746	Belt Guide Assembly	1
16	3743	Retaining Pin (30" Cutter Only)	1
17	6397	Link, Engage Rods	1
18	1694	Swivel	1
19	6082	Foot Pedal Assembly	1
20	2009	Foot Pedal Rubber	1
21	2649	Knob, 1/2"	2
22	2648	Knob, 3/8"	2
23	6400	Lever, Engage Control	1
24	5035	Seat	1
25	2643	Park Brake Plunger	1
26	6438	Lock Bolt, Park Brake	2
27	2003	Spring, Compression	1
28	3414	Switch, Safety	2
29	2703	Switch, Ignition	1
	2066	Ignition Key	1
30	3587	Printed Circuit Board	1
31	6646	Pin, Seat Retaining	2
32	6642	Seat Plate	1

Item	Part No	Description	Qty
33	6637	Mudguard, Left Hand	1
	6638	Mudguard, Right hand	1
	6648	Centre Body Assembly	1
34	6306	Flectred	a/r
35	6439	Shield, Brake Pin	1
36	6161	Jockey Plate	1
37	5822	Jockey Pulley	2
38	5477	Belt Guide	2
39	5478	Bush, Jockey Pulley	2
40	6159	Bush, Jockey Plate	1
41	4718	Plate, Gear Lever	2
42	6625	Rod, Gear Change	1
43	6624	Lever Cranked, Gear Change	1
44	2884	Latch, Gear Lever	1
45	2925	Spring, Compression	1
46	4809	Spacer	1
47	3541	Bush, Gear Lever	2
48	2246	Tow Hitch	1
49	3933	Mounting Bar	1
	6364	Logo, Westwood Bonnet LH	1
	6365	Logo, Westwood Bonnet RH	1
	6408	Logo, Westwood Bonnet L & R	2
51	6668	Label, S800 LH	1
	6669	Label, S800 RH	1
	6361	Label, S1000 LH	1
	6362	Label, S1000 RH	1
	6663	Label, MS1000 LH	1
	6664	Label, MS1000 RH	1
	6731	Label, MS1100 LH	1
	6732	Label, MS1100 RH	1
	6597	Label, S1200 LH	1
	6598	Label, S1200 RH	1
	6665	Label, MS1200 LH	1
	6666	Label, MS1200 RH	1
52	9003	Foam Strip	2

Item	Part No	Description	Qty
53	1613	Spring, Compression	1
54	1979	Half Nut, 3/8" UNF	1
55	1225	'R' Clip, Large	4
56	2050	Roll Pin, 1/8" x 7/8" long	1
57	1457	Roll Pin, 1/8" x 3/4" long	1
58	2065	Nut, Ignition Switch	1
59	6523	Washer, 1" x 5/8"	1
60	2049	Washer, 5/8" Shakeproof	1
61	5431	Catch Plate, Chassis	1
62	5430	Catch Plate, Bonnet	1
63	6205	Wing Nut, 1/4" UNC	1
64	1156	Setscrew, 1/4" UNF x 3/4" long	19
65	1054	Bolt, 3/8" UNF x 1 1/2" long	2
66	2015	Setscrew, 3/8" UNF x 1" long	6
67	3610	Setscrew, 3/8" UNF x 1 1/2" long	1
68	1948	Setscrew, 3/8" UNF x 1 1/4" long	5
69	1982	Setscrew, 5/16" UNF x 3/4" long	27
70	1266	Bolt, 5/16" UNF x 1 3/4" long	2
71	2034	Setscrew, 3/8" UNF x 3/4" long	4
72	6487	Ball Joint	1
73	1734	Machine Screw, 2BA x 1/2" long	1
74	6627	Link Plate, Gear Change	1
75	1270	Nut, 1/4" UNF Nyloc	20
76	1324	Nut, 3/8" UNF Nyloc	33
77	1273	Nut, 5/16" UNF Nyloc	54
78	6630	Bracket, Gear Lever	1
79	1331	Washer, 1/4" T3L	6
80	1105	Washer, 5/16" T3L	28
81	1323	Washer, 3/8" T3L	63
82	1633	Washer, 3/8" Shakeproof	8
83	1982	Washer, 2BA T1	4
84	1053	Nut, 2BA Nyloc	2
85	2847	Washer, Jockey Pulley	3
86	6386	Console Assembly	1
87	6392	Console Bracket	1



**PARTS LIST FOR:**  
**"S" Series Upper Body Panels, Gear Change, PTO and**  
**Cutter Engage Controls**

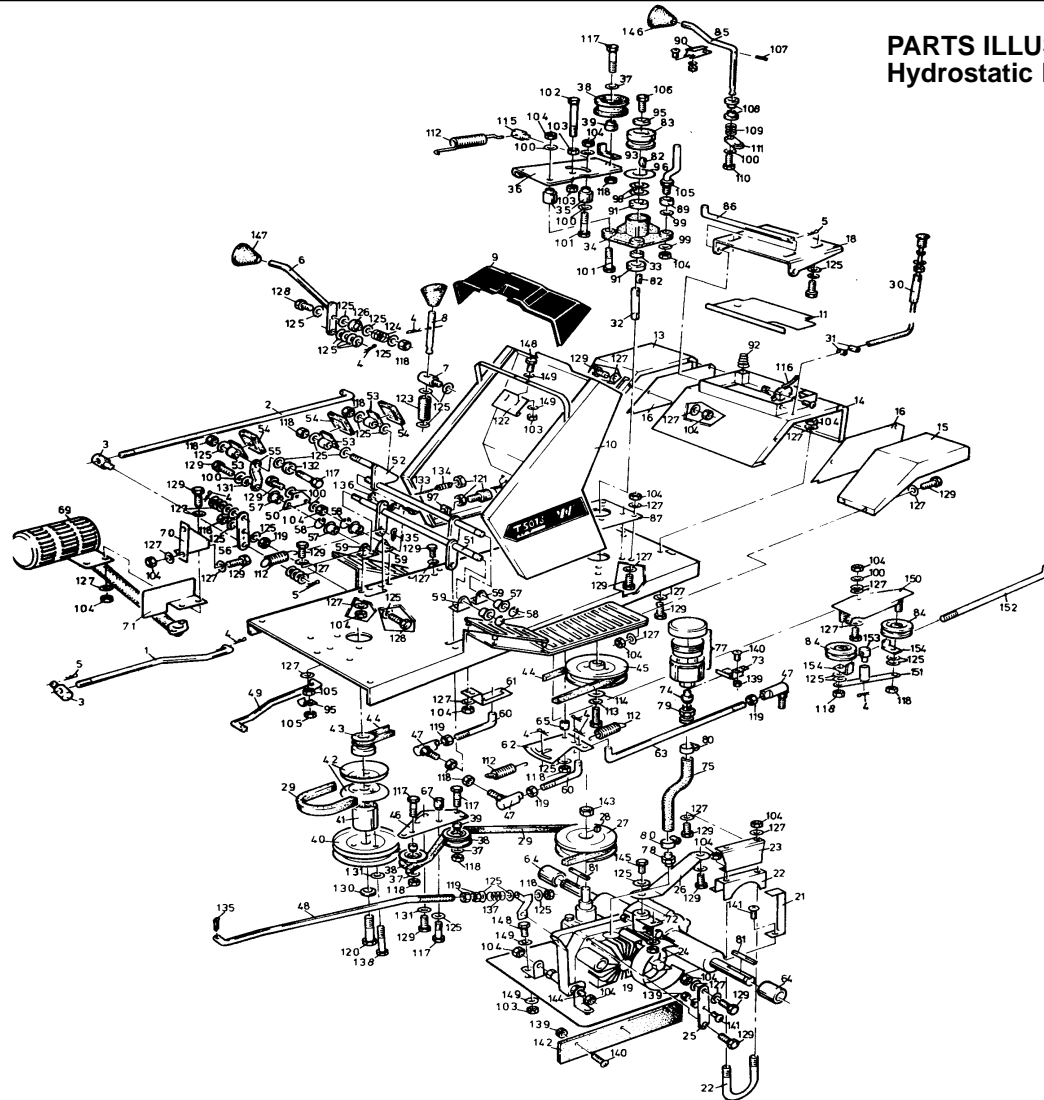
Item	Part No	Description	Qty
88	6387	Battery Tray Support	1
89	2592	Chain	2
90	3463	Spring, Tension	2
91	1233	Split Pin, 1/8" x 3/4" long	3
92	1067	Washer, 4BA T1	5
93	3146	Spacer, Engage Lever	1
94	3484	Label, Gear Change	1
95	3792	Locknut, 3/8" UNF	11
96	1688	Belt, Transmission, Dayco 42 -5654	1
97	3683	Spacer, Bonnet Pivot	7
98	4832	Trim, Baines DX 77	As req
99	6305	Trim, Baines No. 694	As req
100	6633	Gear Lever	1
101	6628	Pivot Shaft	1
102	6632	Spindle Housing	1
103	3539	Bush, Flanged Nylon	2
104	6626	Swivel	1
105	4242	Washer	1
106	6622	PTO Lever Housing	1
107	6699	Battery Cover	1
108	6647	PTO Lever	1
109	6667	Warning Label, Gear Change	1
110	4122	Washer, 1/4" dia. (T4HP)	12
111	6125	Washer, M10 (Form C)	2
112	6618	Link Plate	1
113	M4027	Spring	1
114	1335	Bolt, 5/16" UNF x 1 1/4" long	3
115	6623	Bush	2
116	2031	Setscrew, 5/16" UNF x 1" long	6
117	1970	Washer, 5/16" dia. (T4HP)	8

Item	Part No	Description	Qty

Item	Part No	Description	Qty



**PARTS ILLUSTRATION FOR:  
Hydrostatic Drive Models – T1250H/1800H**





## PARTS LIST FOR:

### Hydrostatic Drive Models T1250H/T1800H

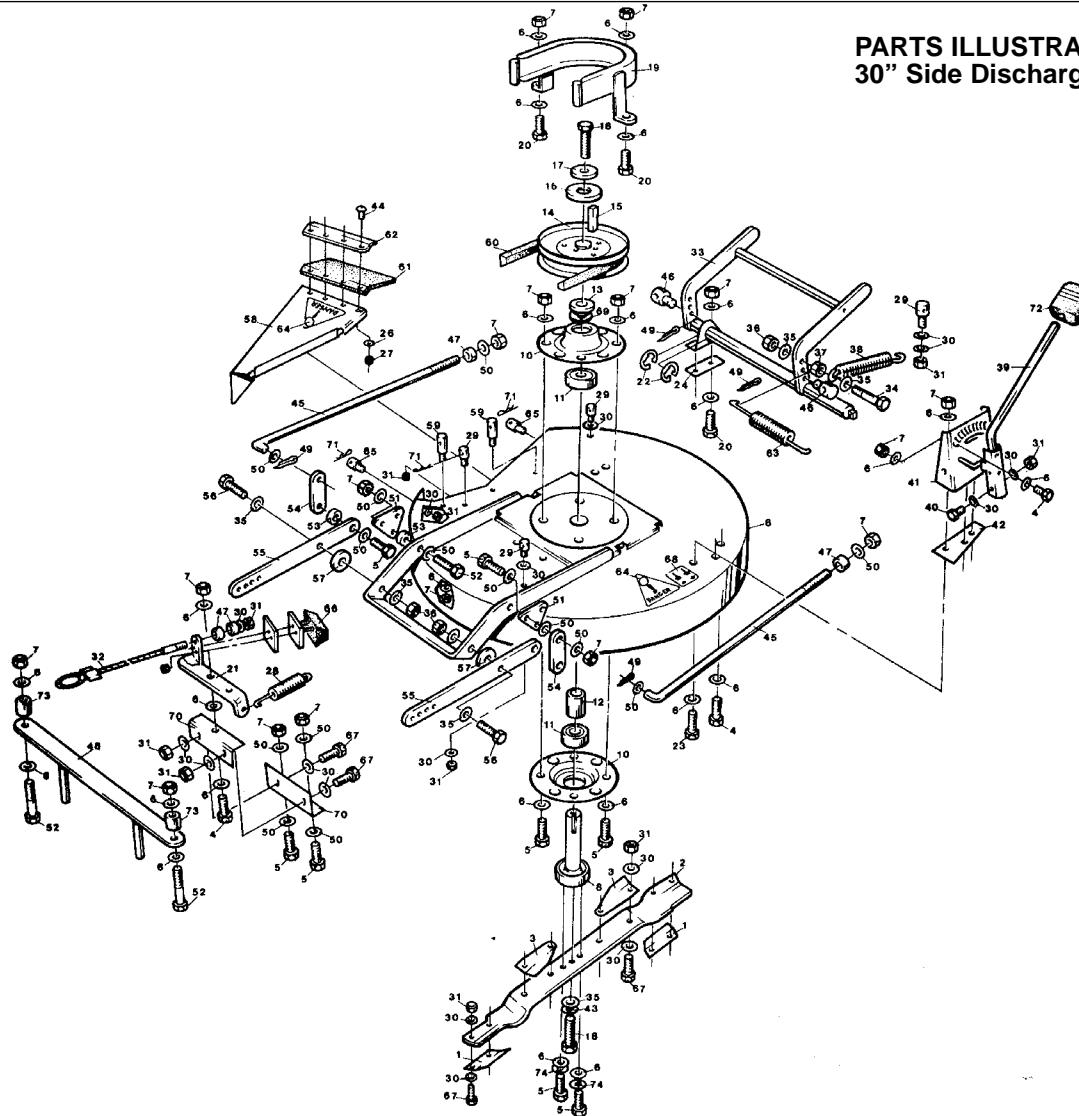
Item	Part No	Description	Qty
1	6395	Engage Rod, short	1
2	6396	Engage rod, long	1
3	1695	Swivel	2
4	4086	"R" Clip, small	4
5	1225	"R" Clip, large	2
6	6400	Engage lever	1
7	6438	Locking bolt, park brake	1
8	2643	Plunger, park brake	1
9	2943	Console front, plastic	1
10	6802	Console body	1
11	6928	Tool Tray	1
12	6923	Chassis	1
13	6907	Mudguard, right hand	1
14	6909	Centre body	1
15	6822	Mudguard, left hand	1
16	6906	Dust shield	2
17	4949	Grass deflector	1
18	6642	Seat base	1
19	6821	Fan guard	1
20	6885	Plate, by-pass valve	1
21	6905	Support, grass deflector	1
22	6884	Axle clamp (52mm dia.)	2
23	6866	Support bracket, rear	2
24	6800	Fan	1
25	6882	Support bracket, front	2
26	6893	Support arm	1
27	6913	Pulley, Hydrostatic drive	1
28	1104	Key	1
29	6887	Belt, Transmission drive	1
	6941	Belt, Transmission drive	1
30	6916	Cable operating (By-pass valve)	1
31	6917	Nipple, solderless	2
32	6805	PTO Shaft	1
33	4245	Spacer, PTO bearing	1
34	4818	Housing, PTO bearing	1

Item	Part No	Description	Qty
35	6452	Bush, PTO plate	2
36	2786	Jockey plate	1
37	2847	Washer, jockey pulley	8
38	5822	Jockey pulley	3
39	5478	Bush, jockey pulley	3
40	1558	Pulley, cutter drive	1
41	6871	Engine pulley block	1
42	1745	Pulley plates	2
43	6870	Pulley block, upper	1
44	6888	Belt, PTO Drive	1
45	6815	PTO pulley	1
46	6878	PTO Jockey plate	1
47	6487	Ball joint	5
48	6919	Brake rod	1
49	6920	Parking brake rod	1
50	6921	Bracket, brake shaft support	1
51	6873	Shaft, brake pedal	1
52	6875	Shaft, foot pedal	1
53	6861	Foot pedal assembly	3
54	1567	Foot pedal rubber	3
55	6872	Brake arm	1
56	6397	Transfer link	1
57	3539	Bush, Nylon	5
58	2589	"E" Clip	6
59	6869	Bracket, foot pedal shaft	4
60	6867	Rod, neutral and drive	2
61	6914	Rod guide	1
62	6865	Quadrant, neutral	1
63	6880	Rod, drive	1
64	6820	Spacer, wheel	2
65	6862	Boss, neutral quadrant	1
66	6876	Rod guide, short	1
67	6879	Boss, jockey plate	1
68	6886	Spacer, By-pass valve plate	1
69	6183	Exhaust (12½ HP Kohler only)	1

Item	Part No	Description	Qty
70	4850	Bracket, exhaust mounting	1
71	6615	Heat shield, exhaust	1
72	6896	Gear arm	1
73	6918	Bracket, reservoir support	1
74	6954	Adaptor, reservoir hose	1
75	6892	Hose, 13mm (early models)	1
	6977	Hose assembly (later models)	1
76	6798	Hydrostatic drive assembly axle	1
	6826	Hydrostatic drive pump unit	1
77	6801	Reservoir assembly	1
78	6890	Hose Adaptor (male)	1
79	6889	Hose adaptor (female)	1
80	6937	Hose clip	2
81	1664	Key, 3/16" square x 2" long	2
82	3841	Key, 1/4" square x 3/4" long	2
83	4337	Pulley, PTO drive	1
84	6970	Jockey pulley assembly	2
85	6804	Lever, PTO operating	1
86	6646	Bar, seat base	1
87	6617	Plate, PTO base	1
88	6662	Belt guide	1
89	3748	Spacer	1
90	6904	Locking plate, PTO lever	1
91	1180	Bearing, 6205-2RS	2
92	2898	Seat spring	2
93	5477	Belt guide	3
94	1006	Washer, hardened domed	1
95	1818	Cable clip	1
96	4308	Washer	1
97	6394	Bracket, switch support	2
98	3618	Washer	2
99	1970	Washer, 5/16"	1
100	3613	Washer, 5/16" T5 HP	27
101	1978	Bolt, 5/16" UNF x 2 1/2" long	6
102	3396	Bolt, 1/4" UNF x 2 1/2" long	1



**PARTS ILLUSTRATION FOR:  
30" Side Discharge Cutter Deck**





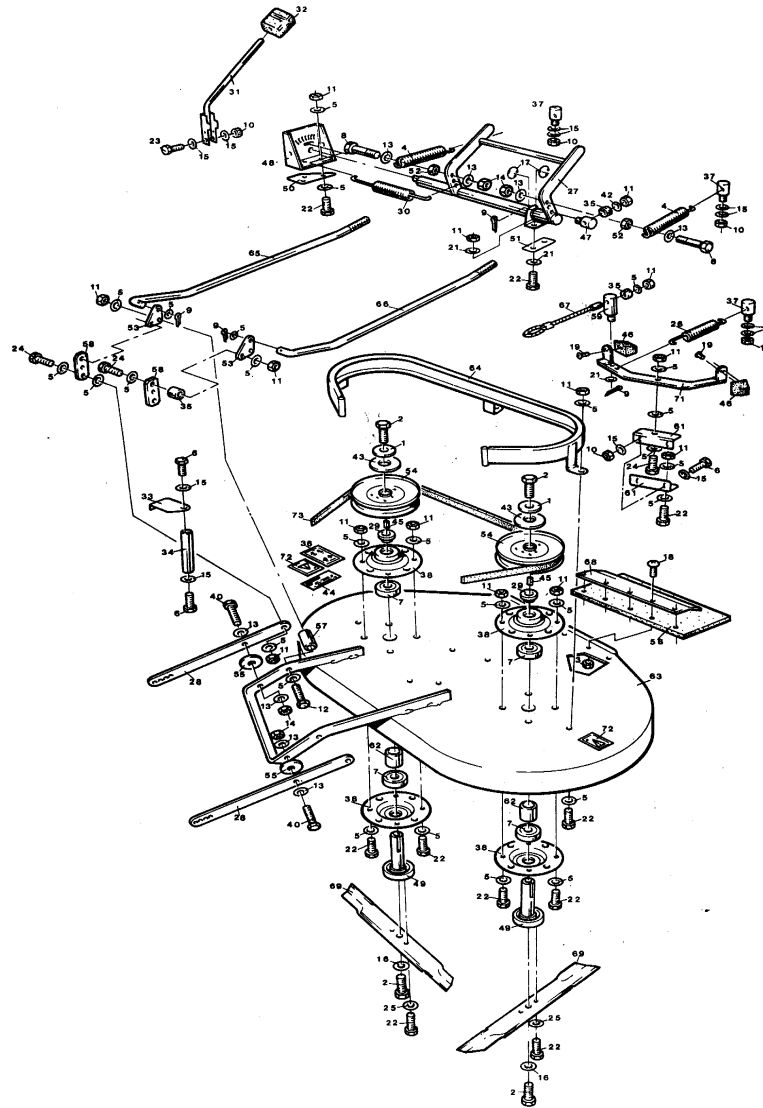
## PARTS LIST FOR: 30" Side Discharge Cutter Deck

Item	Part No	Description	Qty
1	4314	Blade extension, small	2
2	5453	Cutter blade	1
	6093	Reinforcing strip	1
3	4317	Blade extension, large	2
4	2031	Setscrew, 5/16" UNF x 1"	18
5	1982	Setscrew, 5/16" UNF x 3/4"	4
6	1970	Washer, 5/16" dia.	25
7	1273	Nut, 5/16" UNF Nyloc	28
8	3871	Deck, welded assembly	1
9	3759	Cutter shaft	1
10	3552	Bearing housing	2
11	1180	Bearing	2
12	4848	Spacer, bearing	1
13	2412	Spacer, pulley	1
14	5435	Pulley, 8" dia.	1
15	3841	Key, 1/4" square x 1"	1
16	3635	Washer	1
17	1006	Washer, spring domed	1
18	1051	Setscrew, 3/8" UNF x 1" Nyloc	2
19	2425	Pulley guard	1
20	2032	Bolt, 5/16" UNF x 1 1/4"	2
21	3737	Brake arm	1
22	1663	"E" Clip	2
23	3608	Setscrew, 5/16" UNF x 1 1/4"	2
24	3781	Spacer plate	1
25	1956	Screw, Self tapping No. 8	2
26	3329	Washer, 2BA	9
27	1053	Nut, 2BA	4
28	2103	Tension spring	1
29	3516	Pin, spring retaining	3
30	1331	Washer, 1/4" dia.	28
31	1270	Nut, 1/4" UNF Nyloc	19
32	3739	Brake cable	1
33	3884	Hanger bar	1
34	2025	Bolt, 3/8" UNF x 2 1/2"	2

Item	Part No	Description	Qty
35	1323	Washer, 3/8" dia.	8
36	1324	Nut, 3/8" UNF Nyloc	4
37	3792	Locknut, 3/8" UNF	2
38	2217	Tension spring	2
39	3881	Lever, height adjuster	1
40	2022	Bolt, 1/4" UNF x 1 1/4"	1
41	3883	Quadrant, height adjuster	1
42	2429	Reinforcing plate	1
43	1633	Washer, 3/8" Shakeproof	1
44	1735	Machine screw 2BA x 3/4"	4
45	3734	Hitch rod	2
46	3740	Pivot, hitch rod	2
47	3397	Spacer	1
48	3746	Belt guide	1
49	1233	Split pin, 1/8" dia. x 1"	4
50	1105	Washer, 5/16" dia.	34
51	3907	Link plate	2
52	1321	Bolt, 5/16" UNF x 1 1/2"	2
53	3691	Bush	2
54	3760	Link plate	2
55	2420	Hitch bar	2
56	3610	Setscrew, 3/8" UNF x 1 1/2"	2
57	4124	Washer, 3/8" dia.	2
58	3999	Cutter guard	1
59	3995	Hinge pillar	2
60	1767	Drive belt	1
61	3905	Rubber flap	1
62	3903	Retaining plate	1
63	2595	Tension spring	1
64	4968	Warning label	2
65	3902	Retaining pin	3
66	3730	Brake block	1
67	1156	Setscrew, 1/4" UNF x 3/4"	8
68	3439	Label, height adjuster	1
69	3618	Washer	1

Item	Part No	Description	Qty
70	4320	Brake arm support	2
71	1225	"R" Clip	3
72	2649	Knob	1
73	4372	Spacer	2
74	2048	Washer	2

**PARTS ILLUSTRATION FOR:  
36" Standard Cutter Deck**





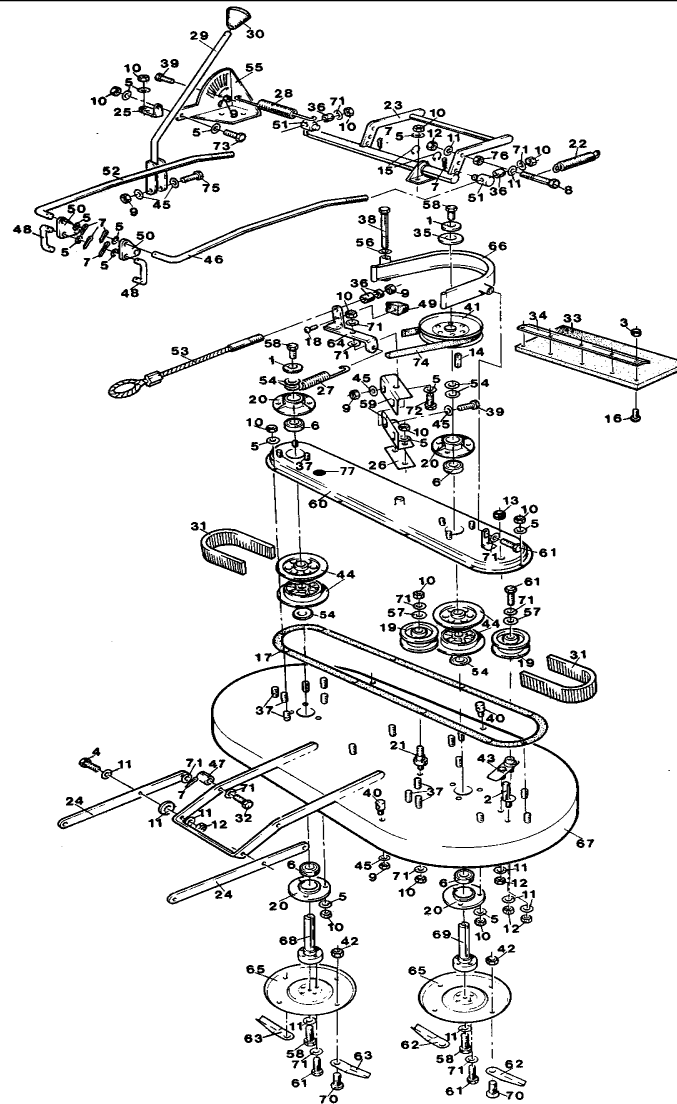
## PARTS LIST FOR: 36" Standard Cutter Deck

Item	Part No	Description	Qty
1	1006	Washer, hardened domed	2
2	1051	Setscrew, 3/8" UNF x 1"	4
3	1053	Nut, 2BA Nyloc	5
4	1076	Tension spring	2
5	1105	Washer, 5/16" dia.	40
6	1156	Setscrew, 1/4" UNF x 3/4"	4
7	1180	Bearing	4
8	2025	Bolt, 3/8 UNF x 2 3/4"	2
9	1233	Split pin, 1/8" dia. x 3/4"	5
10	1270	Nut, 1/4" UNF Nyloc	7
11	1273	Nut, 5/16" UNF Nyloc	28
12	1318	Bolt, 5/16" UNF x 2"	2
13	1323	Washer, 3/8" dia.	8
14	1324	Nut, 3/8" UNF Nyloc	4
15	1331	Washer, 1/4" dia.	13
16	1633	Washer, 3/8" Shakeproof	2
17	1663	"E" Clip	2
18	1735	Screw, 2BA x 3/4" long	5
19	1956	Screw No. 8 x 1" self tap	4
20	1962	Washer, 2BA	5
21	1970	Washer, 5/16" dia. 25	
22	1982	Setscrew, 5/16" x 3/4"	19
23	2022	Bolt, 1/4" UNF x 1 1/4"	1
24	2031	Setscrew, 5/16" x 1"	10
25	2048	Washer, 5/16" Shakeproof	4
26	2103	Tension spring	1
27	2395	Hanger bracket	1
28	2410	Hitch bar	1
29	2412	Bush, pulley	1
30	2595	Tension spring	1
31	2646	Lever, Height adjuster	1
32	2649	Knob	1
33	3294	Safety guard	1
34	3295	Post, safety guard	1
35	3397	Spacer	5

Item	Part No	Description	Qty
36	3439	Label, height adjuster	1
37	3516	Spring retainer	3
38	3552	Bearing housing	4
39		not allocated	
40	3610	Setscrew, 3/8" UNF x 1 1/2"	2
41		Not Allocated	
42	3616	Washer, 5/16" dia.	2
42	3635	Washer	2
44	4860	Label, Serial number	1
45	3841	Key, 1/4" square x 3/4"	2
46	3730	Brake block	2
47	3740	Pivot, lift rod	2
48	3753	Quadrant, height adjuster	1
49	3759	Cutter shaft	2
50	3779	Spacer plate (Quadrant)	1
51	3781	Spacer plate (Hanger bkt)	1
52	3792	Locknut, 3/8" UNF	2
53	3907	Link plate	2
54	3943	Pulley	2
55	4124	Washer, 3/8" dia.	2
56	4220	Rubber flap	1
57	4221	Bush link	2
58	4225	Link arm	2
59	4232	Pillar, brake arm	1
60		Not Allocated	
61	4320	Bridge, brake arm	2
62	4848	Spacer, bearing	2
63	4934	Cutter deck shell	1
64	4937	Guard, pullet/belt	1
65	4939	Hitch rod, LH	1
66	4940	Hitch rod, RH	1
67	4941	Brake cable	1
68	4942	Retaining strip	1
69	4943	Cutter blade	2
70		Not Allocated	

Item	Part No	Description	Qty
71	4946	Brake arm	1
72	4968	Label, hazard warning	2
73	1721	Belt (B69)	1
	2695	Belt (B71), T1600 & T1800 only)	1
74	6537	Guard plate	1
75	4098	Rivet	8
76	3329	Spacer	5

**PARTS ILLUSTRATION FOR:  
42" Contra-Rotating Cutter Deck 6713**



## PARTS LIST FOR: 42" Contra-Rotating Cutter Deck 6713

Item	Part No	Description	Qty
1	1006	Washer, hardened domed	2
2	6748	Cam shaft adjuster	1
3	1053	Nut, 2BA Nyloc	5
4	6119	Bolt, M10 x 40mm long	2
5	6122	Washer, M8	32
6	1180	Bearing	4
7	1233	Split pin, 1/8" x 3/4" long	8
8	6317	Bolt, M10 x 70mm long	2
9	1270	Nut, 1/4" UNF Nyloc	8
10	2044	Nut, M8 Nyloc	36
11	6125	Washer, M10	18
12	2761	Nut, M10 Nyloc	7
13	6744	Grommet	1
14	3841	Drive key, 1/4" square	1
15	1663	"E" Clip	2
16	1735	Screw 2BA x 3/4" pozi.	5
17	6747	Gasket	1
18	1956	Screw No. 8 x 1" self tap	2
19	6730	Tension pulley	2
20	8047	Bearing housing assy	4
21	6731	Boss, idler pulley	1
22	1076	Tension spring	2
23	6741	Hanger bracket assy	1
24	2410	Hitch bar	2
25	4876	Quadrant bracket	1
26	6735	Plate, brake arm	1
27	2594	Tension spring	1
28	2595	Tension spring	1
29	2646	Height adjuster lever	1
30	2649	Knob	1
31	6732	Tooth belt, double sided	1
32	3653	Setscrew, M8 x 40mm	2
33	3286	Rubber flap	1
34	3287	Deflector bracket	1
35	3635	Washer	1

Item	Part No	Description	Qty
36	3229	Spacer	3
37	MX623	Knurled stud	29
38	6751	Bolt, M8 x 65mm long	1
39	1156	Setscrew 1/4" UNF x 3/4"	2
40	3516	Spring retainer	3
41	3548	Pulley	1
42	3585	Nut, 12mm Nyloc	4
43	6728	Plate tension assembly	1
44	3636	Pulley toothed	2
45	1331	Washer, 1/4" dia.	7
46	3690	Hitch rod, left hand	1
47	3691	Bush, link	2
48	3694	Hitch link, bent	2
49	3730	Brake block	1
50	3735	Link plate	2
51	3740	Pivot, lift rod	2
52	6743	Hitch rod, right hand	1
53	3783	Brake cable	1
54	3618	Washer, 23 x 35 x 4mm	8
55	3794	Plate, height adjuster	1
56	2048	Washer, 5/16" s/proof	1
57	1666	Washer, 10mm x 40mm	2
58	6117	Setscrew, M10 x 40mm	8
59	4320	Bridge, brake arm	2
60	6737	Belt case	1
61	5849	Setscrew, M8 x 20mm Nyloc	11
62	6897	Blade swing, left hand	2
63	6898	Blade swing, right hand	2
64	4875	Brake arm	1
65	6719	Blade dish	2
66	6739	Guard, drive pulley	1
67	6717	Cutter deck	1
68	6722	Cutter shaft, short	1
69	6724	Cutter shaft, long	1
70	4885	Pivot bolt, (AIS 14042)	4

Item	Part No	Description	Qty
71	6123	Washer, M8 (Form C)	19
72	4111	Setscrew, M8 x 25mm	1
73	2764	Setscrew, M8 x 20mm	1
74	2226	"V" Belt	1
	2624	"V" Belt (D1200 diesel model only)	1
75	2022	Setscrew, 1/4" UNF x 1 1/4"	1
76	6116	Nut, M10 plain	2
77	6966	Inspection cap	1
		Items not illustrated	
	4968	Label, hazard warning	2
	3439	Label, height adjuster	1