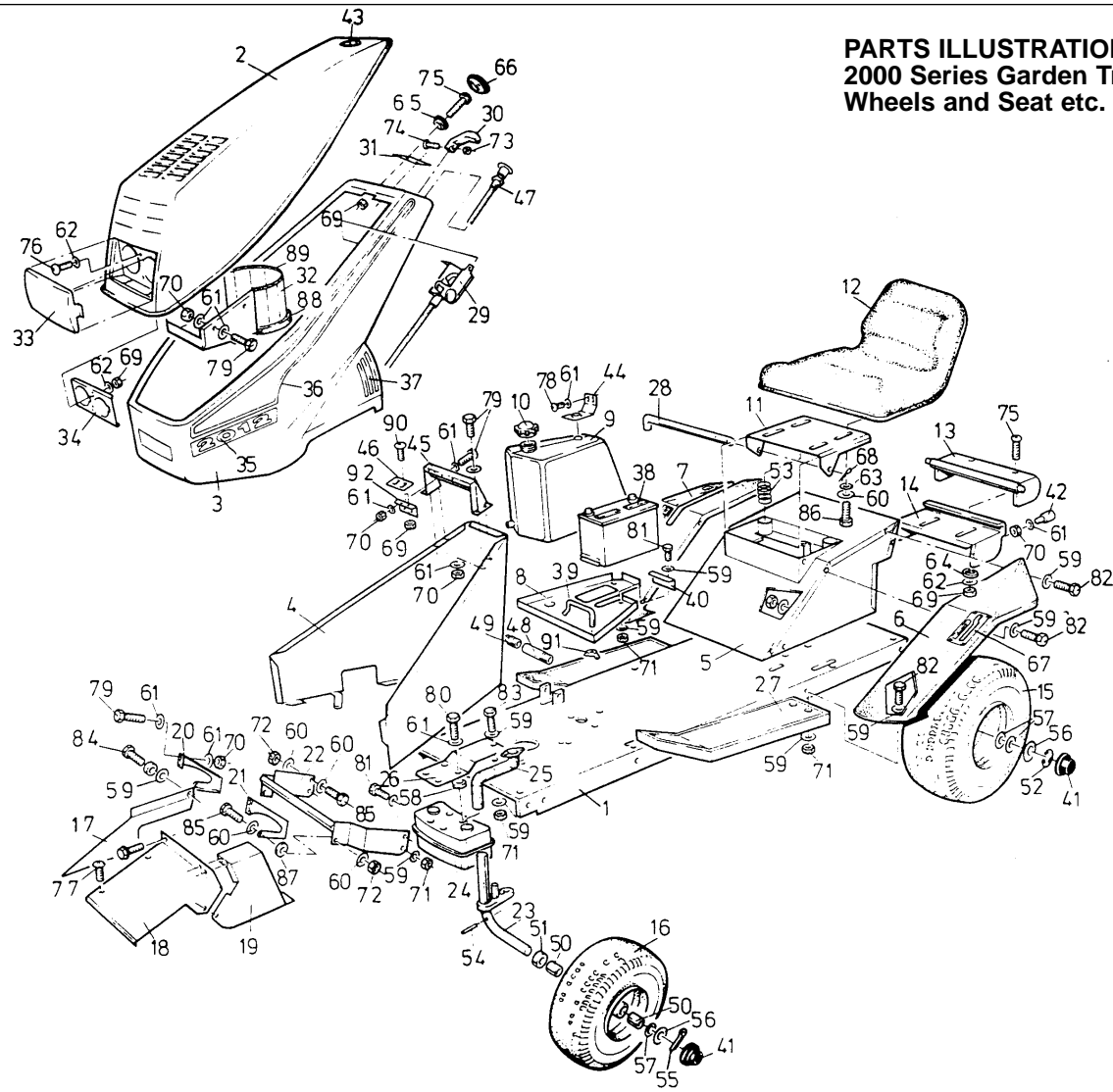


2000 SERIES GARDEN TRACTORS 1992 PARTS CATALOGUE

CONTENTS

	PAGE No.
2000 SERIES GARDEN TRACTOR - CHASSIS, BODY PANELS, WHEELS, SEAT ETC	2 – 4
2000 SERIES PTO DRIVE, FRONT AXLE, ELECTRICS, MOUNTING FRAME AND LIFTING MECHANISM, STEERING, THROTTLE AND CHOKE CONTROLS	5 – 7
2000 SERIES 5 SPEED TRANSAXLE DRIVE SYSTEM	8 – 9
2000 SERIES HYDROSTATIC DRIVE SYSTEM (121/2 HP & EARLY 14 HP ONLY)	10 – 11
2000 SERIES HYDROSTATIC DRIVE SYSTEM (2018H MODEL ONLY)	12 – 13
36" STANDARD REAR DISCHARGE CUTTER DECK	14 – 15
42" CONTRA-ROTATING CUTTER DECK	16 – 17

**PARTS ILLUSTRATION FOR:
2000 Series Garden Tractor - Chassis, Body Panels,
Wheels and Seat etc.**



PARTS LIST FOR: 2000 Series Garden Tractor – Chassis, Body Panels, Wheels, Seat etc.

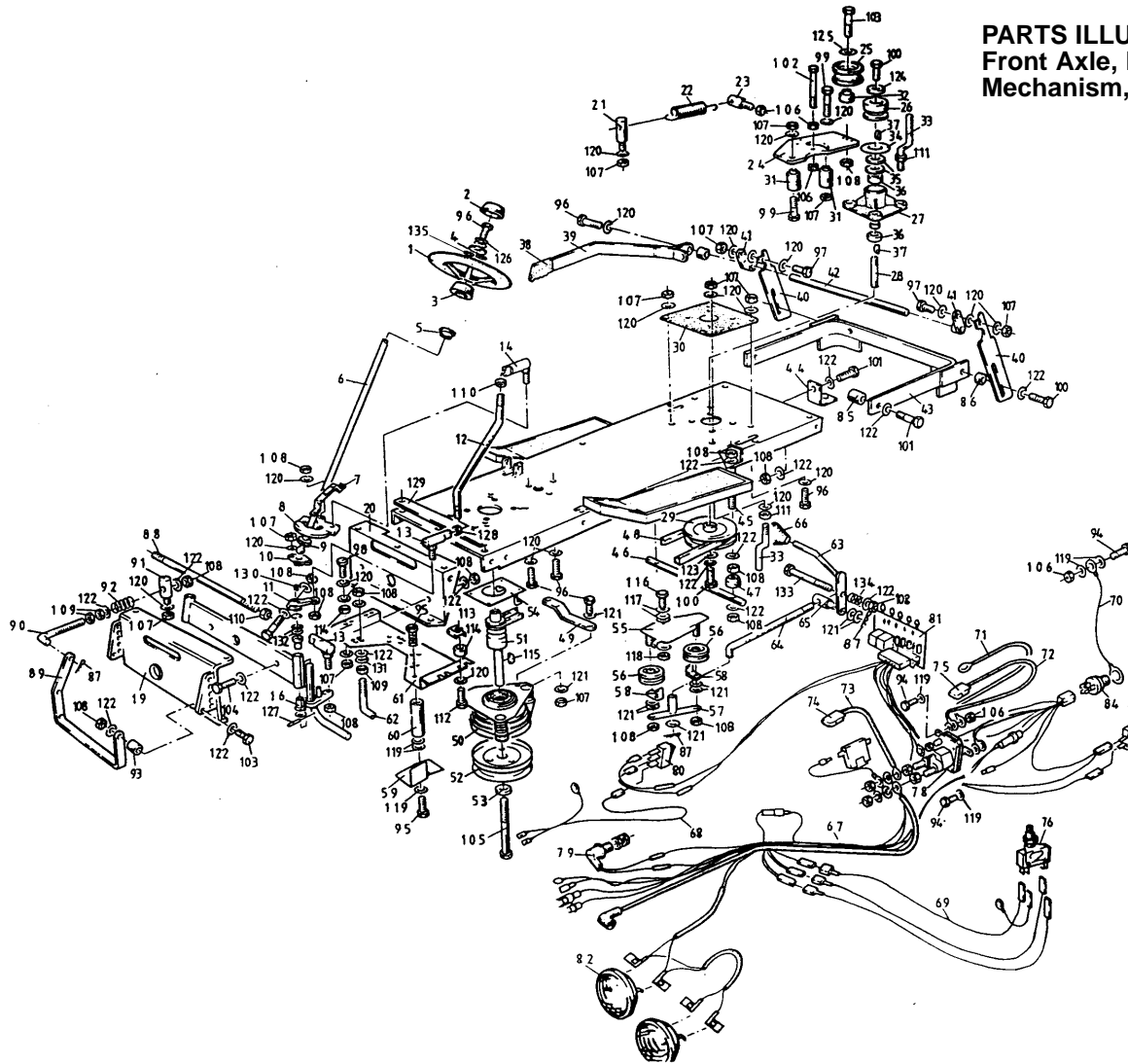
Item	Part No	Description	Qty	Item	Part No	Description	Qty	Item	Part No	Description	Qty
1	7070	Chassis	1	24	7351	Exhaust muffler (12 ¹ / ₂ hp)	1	41	4230	Hub cap	4
	7396	Chassis (Hydrostatic models)	1		7352	Exhaust muffler (14 & 18hp)	1	42	3516	Swivel, PTO flap	2
2	7566	Bonnet assembly	1	25	7328	Manifold pipe (12 ¹ / ₂ hp)	1	43	7332	Bonnet latch	1
3	7344	Console body moulding	1		7353	Manifold pipe, left (14 & 18hp)	1	44	7270	Tank strap	1
4	7256	Console assembly	1		7354	Manifold pipe, right (14 & 18hp)	1	45	7261	Bracket, console support	1
5	7074	Body, centre section	1	26	7105	Bracket, exhaust	1	46	7363	Bonnet latch plate	1
6	7345	Mudguard, left hand	1	27	6306	Flexired	0.5m	47	7350	Choke control (14 & 18hp)	1
	7346	Mudguard, left hand (Hydro)	1	28	6646	Bar, seat base	1	48	7537	Tube, oil drain (12 ¹ / ₂ hp)	1
7	7347	Mudguard, right hand	1	29	7348	Throttle control (12 ¹ / ₂ hp)	1		6174	Tube, oil drain (14 & 18hp)	1
	7603	Bracket, mudguard support	1		7385	Throttle label (12 ¹ / ₂ hp)	1	49	3742	Plug, oil drain 1/4" BSP	1
8	7075	Tray, fuel tank/battery support	1		7231	Throttle control (14 & 18hp)	1	50	3354	Bush, Oilite	4
9	7260	Fuel tank	1		7556	Throttle label (14 & 18hp)	1	51	1980	Spacer, front wheel	2
10	3963	Cap, fuel tank filler	1	30	7763	Knob, throttle	1	52	1663	"E" Clip, (AM1500-75)	2
11	7349	Seat plate	1	31	7363	Plate, throttle	1	53	2898	Seat spring	2
12	5035	Seat	1	32	7555	Air intake assembly (12 ¹ / ₂ hp)	1	54	1553	Roll pin, 1/8" dia. x 1 1/2"	2
13	3532	Flap, PTO inner	1		7634	Air intake assembly (14 & 18hp)	1	55	1227	Split pin, 1/8" dia. x 1 3/4"	2
14	3660	Flap, PTO outer	1	33	7343	Lens	1	56	3908	Washer, 3/4" T4 LP	4
15	7519	Rear wheel assembly	2	34	7104	Plate, headlamp	1	57	3712	Washer, wheel thin	8
	7517	Tyre, 4 ply 18 x 8.50	2	35	7374	Label, 2012 left hand	1	58	3397	Spacer	1
	7527	Wheel rim, 18"	2		7375	Label, 2012 right hand	1	59	1105	Washer, 5/16" dia. T3 LP	34
	1588	Tube, 18"	2		7589	Label, 2012H left hand	1	60	1323	Washer, 3/8" dia. T3 LP	16
	7724	Rear wheel assembly, 2018H only	2		7588	Label, 2012H right hand	1	61	1331	Washer, 1/4" dia. T3 LP	32
16	7520	Front wheel assembly	2		7586	Label, 2014 left hand	1	62	1962	Washer, 2BA T1 LP	4
	7518	Tyre, 4 ply 15 x 6.00	2		7587	Label, 2014 right hand	1	63	1633	Washer, 3/8" shakeproof	4
	7528	Wheel rim, 15"	2		7594	Label, 2014H left hand	1	64	3799	Washer, 1/4" double coil spring	2
	1540	Tube, 15"	2		7593	Label, 2014H right hand	1	65	3092	Washer, Unicap 64	6
17	7272	Heatshield, right hand (12 ¹ / ₂ hp)	1		7590	Label, 2018H left hand	1	66	3092	Black Unicap 64	6
18	7273	Heatshield, centre (12 ¹ / ₂ hp)	1		7591	Label, 2018H right hand	1	67	7274	Gear change plate	1
19	7271	Heatshield, left hand (12 ¹ / ₂ hp)	1	36	7372	Decal, coachline left hand	1		6661	Label, gear change warning	1
	7641	Heatshield assy (14 & 18hp)	1		7373	Decal, coachline right hand	1		3484	Label, gear change indicator	1
20	7269	Hinge, bonnet right hand	1	37	7376	Decal, stripes left hand	1	68	1225	"R" Clip, large	1
21	7536	Hinge, bonnet left hand	1		7377	Decal, stripes right hand	1	69	1053	Nut, 2BA Nyloc	8
22	7265	Bonnet support	1	38	1209	Battery, 12 volt	1	70	1270	Nut, 1/4" UNF Nyloc	12
23	7102	Stub axle, right hand	1	39	6204	Bar, battery retaining	1	71	1273	Nut, 5/16" UNF Nyloc	11
	7103	Stub axle, left hand	1	40	7563	Bracket, battery retaining	1	72	1324	Nut, 3/8" UNF Nyloc	8



PARTS LIST FOR: 2000 Series Garden Tractor – Chassis, Body Panels, Wheels, Seat etc.

Item	Part No	Description	Qty	Item	Part No	Description	Qty	Item	Part No	Description	Qty
73	7765	Nut, 2BA Plain	1		3435	Label, PTO engage	1				
74	7764	Screw, 2BA x 3/8" long	1		3436	Label, PTO disengage	1				
75	1735	Machine screw, 2BA x 3/4"	4		3437	Label, park brake "P"	1				
76	4215	Machine screw, 2BA x 1 1/4"	2		7514	Label, foot pedal (Hydro only)	1				
77	3847	Screw, No. 12 x 1/2" self tap	4		6557	Label, "To start"	1				
78	046-0413	Screw, No. 8 x 1/2"	2		7769	Bonnet stop	1				
79	1156	Setscrew, 1/4" UNF x 3/4"	12		7770	Screw (for bonnet stop)	1				
80	2030	Setscrew, 1/4" UNC x 3/4"	4		7567	PTO cover (Hydro)	1				
81	1982	Setscrew, 5/16" UNF x 3/4"	3		7533	PTO cover (Manual)	1				
82	2031	Setscrew, 5/16" UNF x 1"	6		6305	Bonnet trim	1				
83	3608	Setscrew, 5/16" UNF x 1 1/4"	4								
84	4813	Setscrew, 5/16" UNC x 3/4"	4			If required:					
85	2015	Setscrew, 3/8" UNF x 1"	4		7775	Battery tray	1				
86	2034	Setscrew, 3/8" UNC x 3/4"	4		7777	Battery bracket	1				
87	4124	Washer, 3/8" dia. T5	2		7776	'J' nut	1				
88	7702	Seal, air intake side (12 1/2hp)	1		3612	Fixing screw	1				
	7703	Seal, air intake bottom (12 1/2hp)	1								
	7704	Seal, air intake (14 & 18hp)	1								
89	6305	Trim, EPS 9	a/r								
90	1734	Machine screw, 2BA x 1/2"	6								
91	6205	Nut, 1/4" UNC butterfly	1								
92	7362	Bracket, bonnet latch	1								
		NOT ILLUSTRATED									
	3431	Label, light switch	1								
	7369	Label, PGC raise	1								
	7361	Label, PGC lower	1								
	7360	Label, cutter switch	1								
	7359	Label, ignition switch	1								
	7370	Logo, "Westwood" large	1								
	6938	Label, Ransomes/Westwood	1								
	3956	Label, PCB indicator lights	1								

**PARTS ILLUSTRATION FOR: 2000 Series PTO Drive,
Front Axle, Electrics, Mounting Frame and Lifting
Mechanism, Steering, Throttle and Choke Controls**





PARTS LIST FOR:

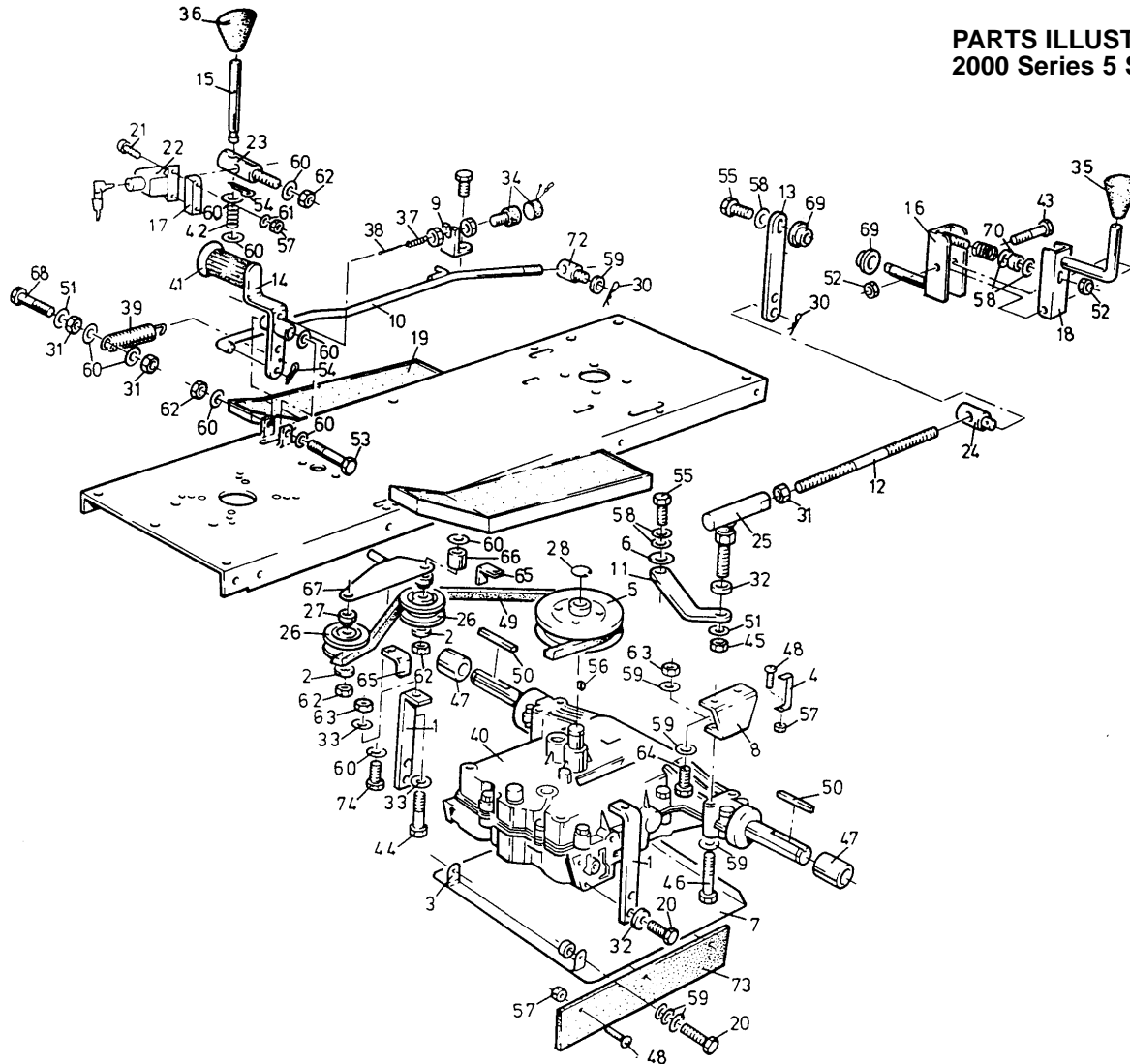
2000 Series PTO Drive, Front Axle, Electrics, Mounting Frame and Lifting Mechanism, Steering, Throttle and Choke Controls

Item	Part No	Description	Qty
1	3946	Steering wheel	1
2	5425	Cap, steering wheel	1
3	5426	Shroud, steering wheel	1
4	4808	Washer, steering wheel	1
5	3539	Bush, nylon	2
6	3475	Column, steering	1
7	3401	Bridge, steering quadrant	1
8	3403	Quadrant, steering	1
	3400	Bush, quadrant pivot	1
9	2276	Gear, steering	1
10	1699	Base, steering column	1
11	4930	Steering arm	1
12	7801	Steering rod	1
	5485A	Steering rod, 2014 & 2018 (cranked)	1
13	6515	Ball joint, left hand	2
14	6487	Ball joint, right hand	2
15	7102	Stub axle, right hand	1
	7103	Stub axle, left hand	1
16	3355	Bush	4
17	7064	Axle beam	1
18	5479	Spacer, stub axle	2
19	4926	Chassis front (forward)	1
20	4929	Chassis front (rear)	1
21	3995	Spring retainer/Hinge pillar	1
22	2103	Spring	1
23	3516	Spring retainer	1
24	7278	Jockey plate	1
25	5822	Jockey pulley	1
26	4337	PTO drive pulley	1
27	4818	PRO bearing housing	1
28	6805	PTO drive shaft	1
29	6815	PTO driven pulley	1
30	6617	PTO base plate	1
31	6452	Bush, PTO Plate	1
32	5478	Bush, jockey pulley	1

Item	Part No	Description	Qty
33	6662	Belt guide	2
34	4308	Washer	1
35	3618	Washer	2
36	1180	Bearing, NSK 6205-RS	2
37	3841	Key, 1/4" square x 3/4" long	2
38	6083	Handgrip	1
39	7713	Lifting handle	1
40	7715	Lifting arm	2
41	7716	Lifting link	2
42	7100	Lifting shaft	1
43	7099	Mounting frame	1
44	2246	Tow hitch	1
45	7283	Stud, hanger bar	2
46	3991	Hanger bar	1
47	4328	Spacer, hanger bar	1
48	7726	PTO drive belt	1
49	7090	Brace, electric clutch	1
50	7259	Electric clutch	1
51	7088	Engine pulley block	1
	7661	Engine pulley block	1
	7267	Pulley block lower (hydro only)	1
	7662	Pulley block upper (hydro only)	1
	7327	Pulley block	1
	7684	Spacer	1
52	1745	Pulley, cutter drive	1
53	7089	Washer, electric clutch	1
54	6912	Belt guide (12 1/2hp)	1
	6944	Belt guide (14 & 18 hp)	1
55	6808	Jockey plate	1
56	6970	Jockey pulley (PTO)	2
57	6813	Jockey arm	1
58	5735	Belt guide	2
59	7542	Safety guard	1
60	7541	Post, safety guard	1
61	7091	Belt guard	1

Item	Part No	Description	Qty
62	4256	Belt guide	1
63	7629	Lever, PTO engage	1
64	7107	Rod, adjustable	1
65	6817	Swivel, adjuster rod	1
66	2648	Knob	1
67	6784	Wiring loom – 12 1/2 hp only	1
	7630	Wiring loom – 14 & 18 hp only	1
68	7526	Electric clutch cables	1
69	6948	Seat switch cables	1
70	7631	Earth lead (ignition switch)	1
71	3460	Earth lead (solenoid – chassis)	1
72	3678	Battery negative lead (black)	1
73	1814	Battery positive lead (red)	1
74	2090	Battery connector (red)	1
75	2091	Battery connector (blue)	1
76	6422	Seat switch (plunger style)	1
	6947	Seat switch (lever style)	1
77	7329	Light switch	1
78	1530	Solenoid	1
79	3414	Brake safety switch	1
80	7330	Cutter switch	1
81	3587	PCB (early 12 1/2 hp models only)	1
	5484	PCB	1
82	1536	Headlamp	2
83		Not Allocated	
84	2703	Ignition switch	1
85	3117	Spacer	2
86	3146	Spacer	2
87	4086	"R" Clip, small	2
88	7578	Track rod	1
89	7112	Hitch bracket, 36" deck	1
	8017	Hitch bracket, 42" decks	1
90	7093	Adjuster rod	1
91	7092	Swivel	1
92	7190	Spring	1

**PARTS ILLUSTRATION FOR:
2000 Series 5 Speed Transaxle Drive System**



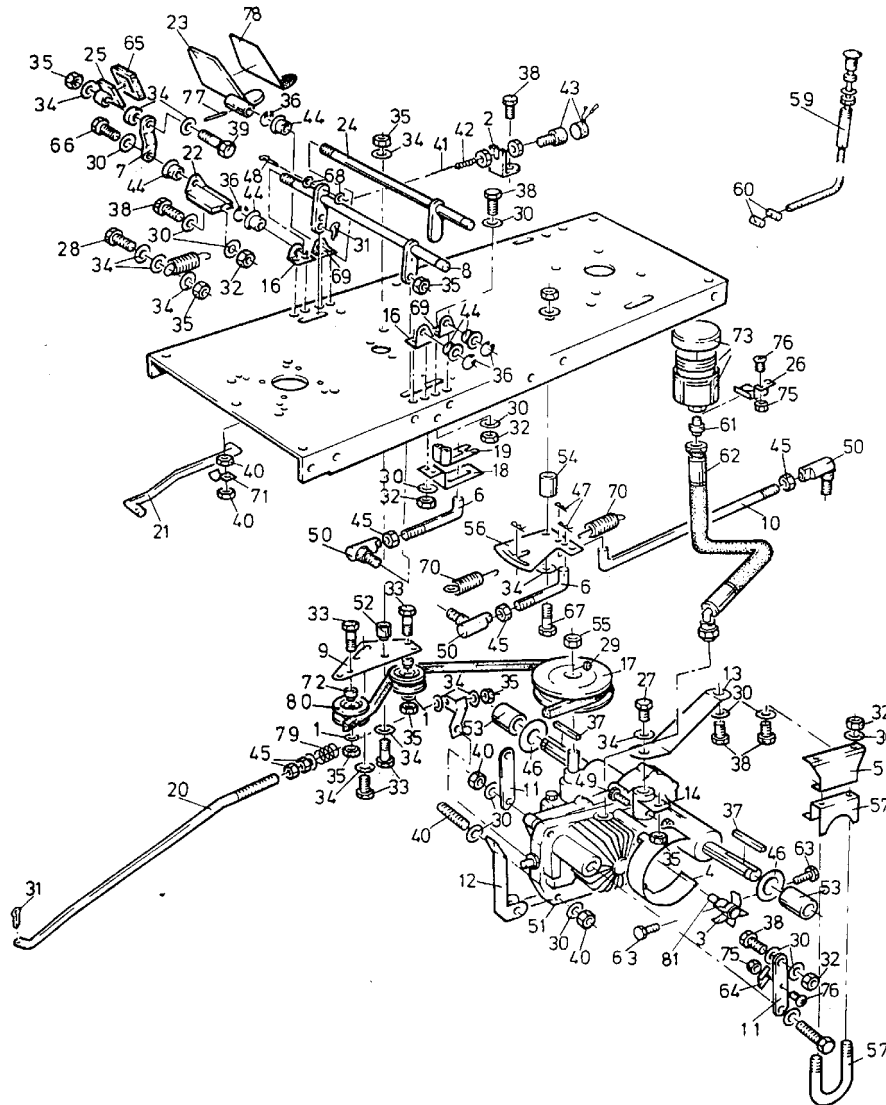


PARTS LIST FOR: 2000 Series 5 Speed Transaxle Drive System

Item	Part No	Description	Qty
1	2831	Bracket, Transaxle hanger	2
2	2847	Washer, jockey pulley	2
3	3320	Bracket, deflector (long)	1
4	3321	Bracket, deflector support	2
5	3392	Pulley, transaxle	1
6	4242	Washer, gear change	1
7	4949	Grass deflector	1
8	3483	Bracket, Transaxle support	2
9	6394	Bracket, safety switch	1
10	6401	Brake rod	1
11	6624	Cranked lever	1
12	6625	Rod, gear adjuster	1
13	7129	Link, gear change	1
14	7380	Foot pedal	1
15	7383	Park brake plunger	1
16	7544	Bracket, gear change	1
17	7547	Mounting block (anti-theft)	1
18	7134	Lever, gear change	1
19	6306	Flex-tred	a/r
20	7286	Screw, Taptite M8 x 25mm	4
21	7543	Screw, 2BA x 1 1/2" Sckt Hd	2
22	7437	Security lock	1
23	7097	Bolt, park brake locking	1
24	6626	Swivel, gear change	1
25	6487	Ball joint	3
26	5822	Jockey pulley	2
27	5478	Bush, jockey pulley	3
28	4204	Circlip, 5/8" dia.	1
29	4192	Split pin, 3/32" dia. x 1/2"	2
30	4086	"R" Clip, small	4
31	3792	Locknut, 3/8" UNF	3
32	3683	Spacer, ball joint	3
33	3613	Washer, 5/16" dia. T5	14
34	3414	Switch, brake safety	1
35	2649	Knob, 1/2" (gear change)	1

Item	Part No	Description	Qty
36	2648	Knob 3/8" (park brake)	1
37	2594	Spring	1
38	2592	Chain	1
39	2103	Clutch spring	1
40	2019	Transaxle, Peerless 801-030	1
41	2009	Foot pedal rubber	1
42	2003	Spring (park brake)	1
43	2022	Setscrew, 1/4" UNF x 1 1/4"	1
44	2031	Setscrew, 5/16" UNF x 1"	4
45	1979	Halfnut, 3/8" UNF	1
46	1978	Bolt, 5/16" UNF x 2 1/2"	4
47	1715	Spacer, rear wheel	2
48	1735	Screw, 2BA x 3/4"	7
49	1688	Belt, transmission	1
50	1664	Key, 3/16" square x 2"	2
51	1633	Washer, 3/8" shakeproof	3
52	1270	Nut, 1/4" UNF Nyloc	1
53	1267	Bolt, 3/8" UNF x 2 1/2"	1
54	1233	Split pin, 1/8" dia. x 5/8"	1
55	1156	Setscrew, 1/4" UNF x 3/4"	2
56	1104	Key, Woodruff 3/16" x 3/4"	1
57	1053	Nut, 2BA Nyloc	9
58	1331	Washer, 1/4" dia. T3 LP	8
59	1105	Washer, 5/16" dia. T3 LP	16
60	1323	Washer, 3/8" dia. T3 LP	12
61	1962	Washer, 2BA T1	9
62	1324	Nut, 3/8" UNF Nyloc	6
63	1273	Nut, 5/16" UNF Nyloc	10
64	1982	Setscrew, 5/16" UNF x 3/4"	5
65	5477	Belt guide	2
66	6812	Boss, jockey pulley	1
67	6813	Jockey plate	1
68	1054	Bolt, 3/8" UNF x 1 1/2"	1
69	3539	Bush, Nylon	2
70	1680	Spacer	2

Item	Part No	Description	Qty
71	1613	Spring	1
72	1694	Swivel	1
73	3324	Rubber flap	1
74	1319	Bolt, 3/8" UNF x 2"	



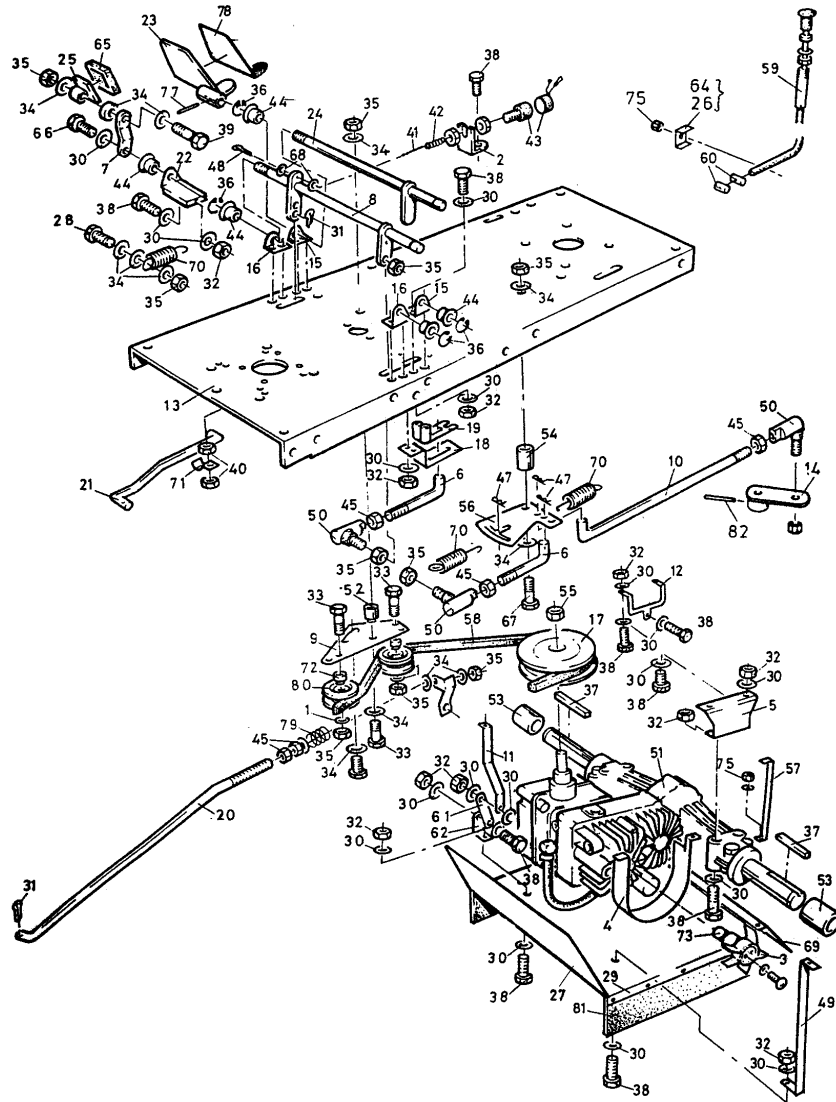
**PARTS ILLUSTRATION FOR:
2000 Series Hydrostatic Drive System
(12 1/2 HP & Early 14 HP only)**

PARTS LIST FOR: 2000 Series Hydrostatic Drive System (12½ HP and Early 14 HP only)

Item	Part No	Description	Qty
1	2847	Washer, jockey pulley	2
2	6394	Bracket, safety switch	1
3	6800	Fan, 5" dia. plastic	1
4	6821	Guard, fan	1
5	6866	Hanger bracket	2
6	6867	Rod, neutral	2
7	6872	Brake arm	1
8	6873	Shaft, brake pedal	1
9	6878	Plate, jockey arm	1
10	6880	Rod (long)	1
11	6882	Bracket, Hydrostatic unit front	2
12	6885	Plate, bypass valve	1
13	6893	Support, gear arm	1
14	6896	Gear arm assembly	1
15	6903	Stud	1
16	6869	Bracket, brake shaft	2
17	6913	Pulley, Hydrostatic drive	1
18	6914	Rod guide (long)	1
19	6915	Rod guide assembly	1
20	6919	Brake rod	1
21	6920	Rod, parking brake	1
22	7087	Support, pedal shaft	1
23	7368	Pedal, Hydrostatic drive	1
24	7364	Shaft, pedal	1
25	7551	Pedal, brake	1
26	7648	Bracket, reservoir support	1
27	1051	Setscrew, 3/8" UNF x 1" Nyloc	1
28	1054	Bolt, 3/8" UNF x 1 1/2"	1
29	1104	Key, Woodruff	1
30	1105	Washer, 5/16" dia. T3 LP	34
31	1233	Split pin, 1/8" dia. x 5/8"	1
32	1273	Nut, 5/16" Nyloc	15
33	1319	Bolt, 3/8" UNF x 2"	3
34	1323	Washer, 3/8" dia. T3 LP	8
35	1324	Nut, 3/8" UNF Nyloc	6

Item	Part No	Description	Qty
36	1663	'E' Clip, 3/4" (AM1500-75)	4
37	1664	Drive key, 3/16" square x 2"	2
38	1982	Setscrew, 5/16" UNF x 3/4"	14
39	1997	Bolt, 3/8" UNF x 1 3/4"	1
40	2040	Nut, 5/16" UNF plain	4
41	2592	Chain	1
42	2594	Spring, tension	1
43	3414	Switch, brake safety	1
44	3539	Bush, Nylon	6
45	3792	Locknut, 3/8" UNF	3
46	3908	Washer 3/4" dia. T4 LP	2
47	4086	'R' Clip, small	3
48	4192	Split pin, 3/32" dia. x 1/2"	2
49	6130	Bolt, M5 x 35mm	1
50	6487	Ball joint, right hand	3
51	6798	Hydrostatic transaxle unit	1
51A	6826	Pump, Hydrostatic Unit	1
52	6812	Bush, jockey arm pivot	1
53	6820	Wheel spacer	2
54	6862	Boss, neutral quadrant	1
55	6863	Nut, 9/16" UNF, plain	1
56	6865	Neutral quadrant	1
57	6884	Clamp bracket	2
58	6887	Transmission belt, (12.5 hp)	1
	6941	Transmission belt (14 hp)	1
59	6916	Cable, By-pass valve	1
60	6917	Solderless nipple	2
61	6954	Adaptor	1
62	6977	Hose	1
63	6985	Setscrew, M6 x 12mm	2
64	MX868	Casing clamp	1
65	7552	Foot pedal rubber	1
66	4107	Setscrew, 5/16" UNF, Nyloc	2
67	1267	Bolt, 3/8" UNF x 2 1/2"	1
68	1067	Washer, 4BA	2

Item	Part No	Description	Qty
69	7366	Bracket, shaft support	2
70	2103	Spring	4
71	1818	Cable clip	1
72	5478	Bush, jockey pulley	2
73	6801	Reservoir assembly	1
74	3689	Nut, M5 Nyloc	1
75	1734	Nut, 2BA Nyloc	2
76	1735	Screw, Pozi-Pan 2BA x 3/4"	2
77	MX244	Spirol pin, 3/16" dia. x 1 1/4"	1
78	6306	Flex Tred	a/r
79	6925	Spring	1
80	5822	Jockey pulley	2
81	7884	Fan Flange	1
		NOT ILLUSTRATED	
	3710	Screw (for 6800 Fan)	2



**PARTS ILLUSTRATION FOR:
2000 Series Hydrostatic Drive System
(2018H model only)**

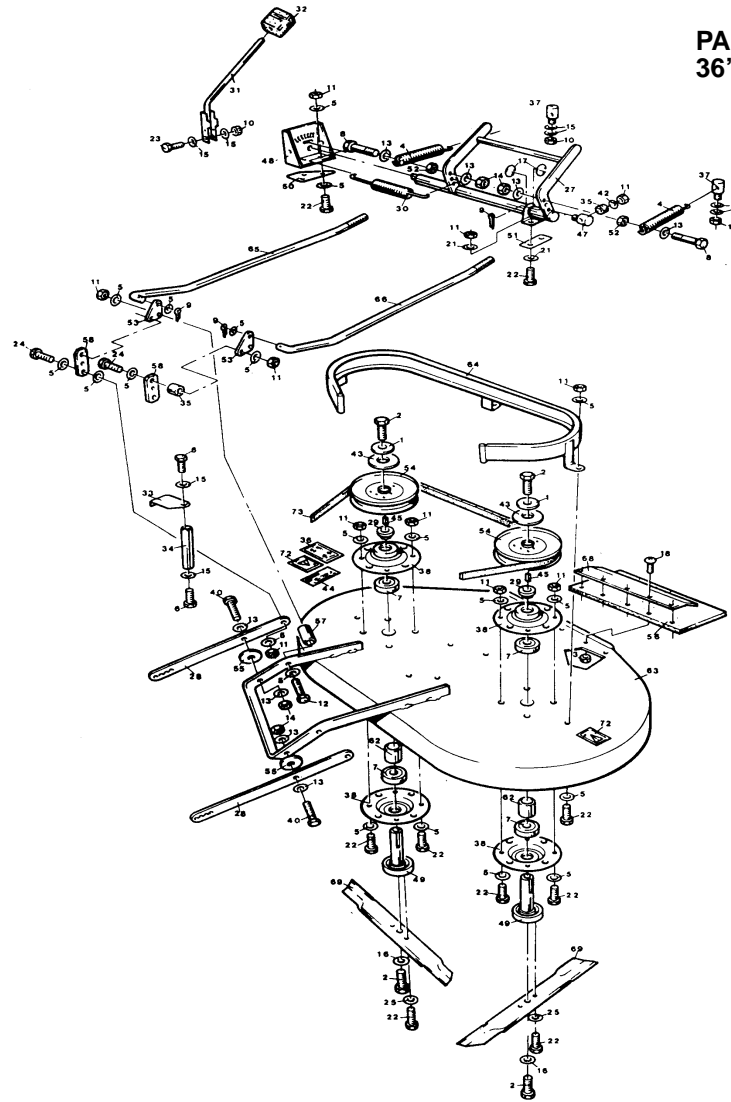
PARTS LIST FOR: 2000 Series Hydrostatic Drive System (2018H model only)

Item	Part No	Description	Qty
1	2847	Washer, jockey pulley	2
2	6393	Bracket, safety switch	1
3	6800	Fan, 5" dia. plastic	1
4	7795	Guard, fan	1
5	7796	Hanger bracket	2
6	6867	Rod, neutral	2
7	6872	Brake arm	1
8	6873	Shaft, brake pedal	1
9	7791	Plate, jockey arm	1
10	7881	Gear rod (long)	1
11	7794	Bracket, Hydro unit RH	1
12	7798	Bracket, Hydro unit LH	1
13	7922	Chassis	1
14	7879	Gear arm assembly	1
15	7366	Bracket, shaft support	2
16	6869	Bracket, brake shaft	2
17	7786	Pulley, Hydrostatic drive	1
18	6914	Rod guide (long)	1
19	6915	Rod guide assembly	1
20	7824	Brake rod	1
21	6920	Rod, parking brake	1
22	7087	Support, pedal shaft	1
23	7368	Pedal, Hydrostatic drive	1
24	7364	Shaft, pedal	1
25	7551	Pedal, brake	1
26	7790	Bracket, cable support	1
27	7897	Grass deflector	1
28	1054	Bolt, 3/8" UNF x 1 1/2"	1
29	7898	Retaining strip	1
30	1105	Washer, 5/16" dia. T3 LP	34
31	1233	Split pin, 1/8" dia. x 5/8"	1
32	1273	Nut, 5/16" Nyloc	15
33	1319	Bolt, 3/8" UNF x 2"	3
34	1323	Washer, 3/8" dia. T3 LP	8
35	1324	Nut, 3/8" UNF Nyloc	6

Item	Part No	Description	Qty
36	1663	'E' Clip, 3/4" (AM1500-75)	4
37	3841	Drive key, 1/4" square x 2"	2
38	1982	Setscrew, 5/16" UNF x 3/4"	14
39	1997	Bolt, 3/8" UNF x 1 3/4"	1
40	2040	Nut, 5/16" UNF plain	4
41	2592	Chain	1
42	2594	Spring, tension	1
43	3414	Switch, brake safety	1
44	3539	Bush, Nylon	6
45	3792	Locknut, 3/8" UNF	3
46	3908	Washer 3/4" dia. T4 LP	2
47	4086	'R' Clip, small	3
48	4192	Split pin, 3/32" dia. x 1/2"	2
49	7891	Support, left hand front	1
50	6487	Ball joint, right hand	3
51	7649	Hydrostatic transaxle unit	1
52	6812	Bush, jockey arm pivot	1
53	6820	Wheel spacer	2
54	6862	Boss, neutral quadrant	1
55	6863	Nut, 9/16" UNF, plain	1
56	7797	Neutral quadrant	1
57	7892	Support, rear	2
58	7706	Transmission belt, 2018H	1
59	6916	Cable, By-pass valve	1
60	6917	Solderless nipple	2
61	7893	Support link	1
62	7894	Bracket	1
63	6985	Setscrew, M6 x 12mm	2
64	MX868	Casing clamp	1
65	7552	Foot pedal rubber	1
66	4107	Setscrew, 5/16" UNF, Nyloc	2
67	1267	Bolt, 3/8" UNF x 2 1/2"	1
68	1067	Washer, 4BA	2
69	7916	Deflector extension	1
70	2103	Spring	4

Item	Part No	Description	Qty
71	7819	Cable clip	1
72	5478	Bush, jockey pulley	2
73	7884	Fan flange	1
74	3689	Nut, M5 Nyloc	1
75	1734	Nut, 2BA Nyloc	2
76	1735	Screw, Pozi-Pan 2BA x 3/4"	2
77	MX244	Spirol pin, 3/16" dia. x 1 1/4"	1
78	6306	Flex Tred	a/r
79	6925	Spring	1
80	5822	Jockey pulley	2
81	7899	Rubber flap	2
82	MX936	Pin, 5mm rollspring	1
		NOT ILLUSTRATED	
	8495	Oil Filter	1
	3710	Screw (For 6800 Fan)	2

**PARTS ILLUSTRATION FOR:
36" Standard Rear Discharge Cutter Deck**



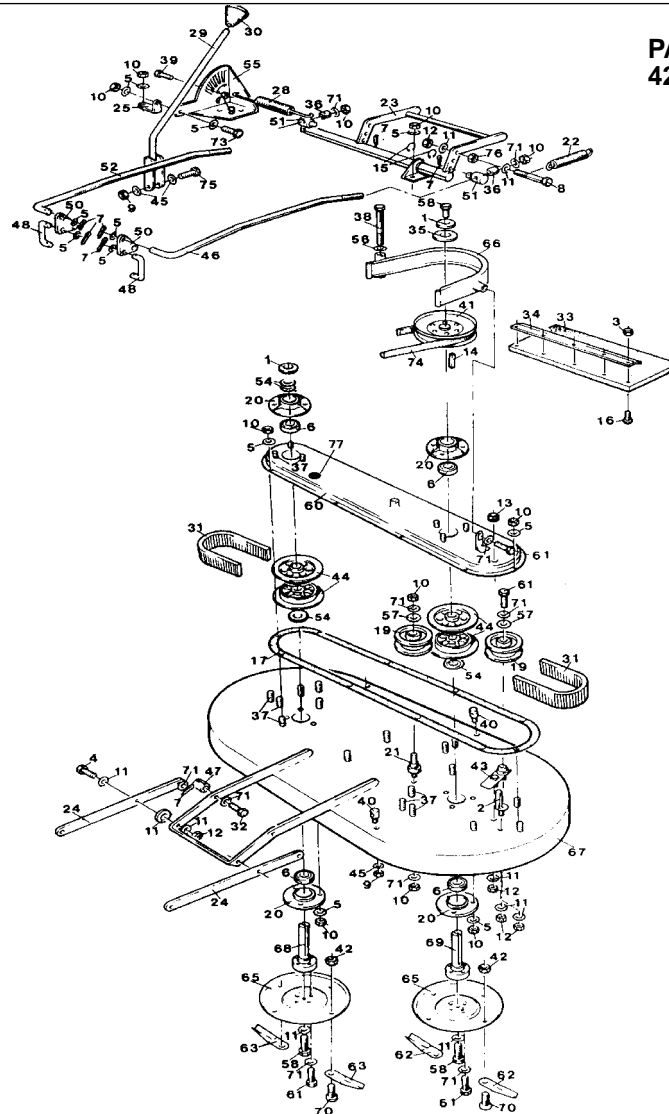
PARTS LIST FOR: 36" Standard Rear Discharge Cutter Deck

Item	Part No	Description	Qty
1	1006	Washer, hardened domed	2
2	1051	Setscrew, 3/8" UNF x 1"	4
3	1053	Nut, 2BA Nyloc	5
4	1076	Tension spring	2
5	1105	Washer, 5/16" dia.	40
6	1156	Setscrew, 1/4" UNF x 3/4"	4
7	1180	Bearing, NSK6205-RS	4
8	2025	Bolt, 3/8" UNF x 2 3/4"	2
9	1233	Split pin, 1/8" dia x 3/4"	5
10	1270	Nut, 1/4" UNF Nyloc	7
11	1273	Nut, 5/16" UNF Nyloc	32
12	1318	Bolt, 5/16" UNF x 2"	2
13	1323	Washer, 3/8" dia	8
14	1324	Nut, 3/8" UNF Nyloc	4
15	1331	Washer, 1/4" dia.	13
16	1633	Washer, 3/8" shakeproof	2
17	1663	"E" Clip, AM1500-75	2
18	1735	Screw, 2BA x 3/4" long	5
19	1312	Bolt, 5/16" UNF x 3" *	4
20	4774	Sleeve *	4
21	1970	Washer, 5/16" dia.	33
22	1982	Setscrew, 5/16" x 3/4"	19
23	2022	Bolt, 1/4" UNF x 1 1/4"	1
24	2031	Setscrew, 5/16" UNF x 1"	10
25	2048	Washer, 5/16" shakeproof	4
26	7320	Wheel, anti-scalp *	4
27	2395	Hanger bracket	1
28	2410	Hitch bar	2
29	2412	Bush, pulley	2
30	2595	Tension spring	1
31	2646	Lever, height adjuster	1
32	2649	Knob	1
33	7542	Safety guard	1
34	3295	Post, safety guard	1
35	3397	Spacer	5

Item	Part No	Description	Qty
36	3439	Label, height adjuster	1
37	3516	Spring retainer	2
38	3552	Bearing housing	4
39		Not Allocated	
40	3610	Setscrew, 3/8" UNF x 1 1/2"	2
41		Not Allocated	
42	3616	Washer, 5/16" dia.	2
43	3635	Washer	2
44	4860	Label, Serial number	1
45	3841	Key, 1/4" square x 3/4"	2
46		Not Allocated	
47	3740	Pivot, lift rod	2
48	3753	Quadrant, height adjuster	1
49	3759	Cutter shaft	2
50	3779	Spacer plate (Quadrant)	1
51	3781	Spacer plate (Hanger bkt)	1
52	3792	Locknut, 3/8" UNF	2
53	3907	Link plate	2
54	7386	Pulley	2
55	4124	Washer, 3/8" dia.	2
56	4220	Rubber flap	1
57	4221	Bush link	2
58	4225	Link arm	2
59		Not Allocated	
60		Not Allocated	
61		Not Allocated	
62	4848	Spacer, bearing	2
63	7387	Cutter deck shell	1
63A	8788	Deck reinforcing strip	1
64	4937	Guard, pulley/belt	1
65	4939	Hitch rod, RH	1
66	4940	Hitch rod, LH	1
67		Not Allocated	
68	4942	Retaining strip	1
69	4943	Cutter blade	2

Item	Part No	Description	Qty
70		Not Allocated	
71		Not Allocated	
72	7515	Label, hazard warning	2
73	7604	Belt (12.5 hp only)	1
	7675	Belt, (14 hp only)	1
74	6537	Guard plate (not shown)	1
75	4098	Rivet, TSP D58	8
76	3229	Spacer	4
		* These items whilst not illustrated are part of anti-scalp wheels and fitments.	

**PARTS ILLUSTRATION FOR:
42" Contra-Rotating Cutter Deck**



PARTS LIST FOR: 42" Contra-Rotating Cutter Deck

Item	Part No	Description	Qty
1	1006	Washer, hardened domed	2
2	6748	Cam shaft adjuster	1
3	1053	Nut, 2BA Nyloc	5
4	6119	Bolt, M10 x 40 mm long	2
5	6122	Washer, M8 (Form B)	28
6	1180	Bearing NSK 6205-RS	4
7	1233	Split pin, 1/8" x 3/4" long	8
8	6317	Bolt, M10 x 70mm long	2
9	1270	Nut, 1/4" UNF Nyloc	7
10	2044	Nut, M8 Nyloc	33
11	6125	Washer, M10	18
12	2761	Nut, M10 Nyloc	7
13	6744	Grommet	1
14	3841	Drive key, 1/4" square	11
15	1663	"E" Clip (A1500-75)	2
16	1735	Screw 2BA x 3/4" pozi.	5
17	6746	Gasket	1
18	1312	Bolt, 5/16" UNF x 3" *	4
19	6772	Tension pulley	2
20	6750	Bearing housing assy	4
21	6731	Boss, idler pulley	1
22	1076	Tension spring	2
23	6741	Hanger bracket assy	1
24	2410	Hitch bar	2
25	4876	Quadrant bracket	1
26	4774	Sleeve *	4
27	7320	Wheel, anti-scalp *	
28	2595	Tension spring	1
29	2646	Height adjuster lever	1
30	2649	Knob	1
31	6732	Tooth belt, double sided	1
32	3653	Setscrew, M8 x 40mm	2
33	3286	Rubber flap	1
34	3287	Deflector bracket	1
35	3635	Washer	1

Item	Part No	Description	Qty
36	3329	Spacer	2
37	MX623	Knurled stud	29
38	6751	Bolt, M8 x 65mm long	1
39		Not Allocated	
40	3516	Spring retainer	2
41	7386	Pulley	1
42	3585	Nut, 12mm Nyloc	4
43	6728	Plate tension assembly	1
44	3636	Pulley toothed	2
45	1331	Washer, 1/4" dia.	3
46	6742	Hitch rod, left hand	1
47	3691	Bush, link	2
48	3694	Hitch link, bent	2
49		Not Allocated	
50	3735	Link plate	2
51	3740	Pivot, lift rod	2
52	6743	Hitch rod, right hand	1
53		Not Allocated	
54	3618	Washer, 23 x 35 x 4mm	8
55	3794	Plate, height adjuster	1
56	2048	Washer, 5/16" dia. s/proof	1
57	1666	Washer, 10 mm x 40 mm	2
58	6117	Setscrew, M10 x 25 mm	4
59		Not Allocated	
60	6737	Belt case	1
61	5849	Setscrew, M8 x 20 mm Nyloc	11
62	6897	Blade swing, left hand	2
63	6898	Blade swing, right hand	2
64		Not Allocated	
65	6719	Blade dish	2
66	6739	Guard, drive pulley	1
67	7392	Cutter deck	1
68	6722	Cutter shaft, short	1
69	6724	Cutter shaft, long	1
70	4885	Pivot bolt, (AIS 14042)	4

Item	Part No	Description	Qty
71	6123	Washer, M8 (Form C)	17
72		Not Allocated	
73	2764	Setscrew, M8 x 20 mm	1
74	7509	Drive Belt	1
75	2022	Setscrew, 1/4" UNF x 1 1/4"	1
76	6116	Nut, M10 plain	2
77	6966	Inspection cap	1
		Items not illustrated	
	7515	Label, hazard warning	2
	3439	Label, height adjuster	1
		* part of anti-scalp wheels and fitments	
	4796P	Anti-scalp wheel kit	1