

COUNTAX[®]

Britain's Best Selling Range of Garden Tractors

WESTWOOD TRACTOR
2011 BRIGGS S1500H & S150H
SERVICE DRAWINGS
AND
PARTS LIST



Countax Limited

Countax House
Haseley Trading Estate
Great Haseley
Oxford OX44 7PF

Telephone: +44 (0) 1844 278800
Facsimile: +44 (0) 1844 278792
EMail: email@countax.com
Web Site: <http://www.countax.com>

**Manufacturers of Britain's
No.1 Range of Garden Tractors
and Ride-on Mowers**

366002500 C

COUNTAX

S1500H & S150H BRIGGS

TRACTOR

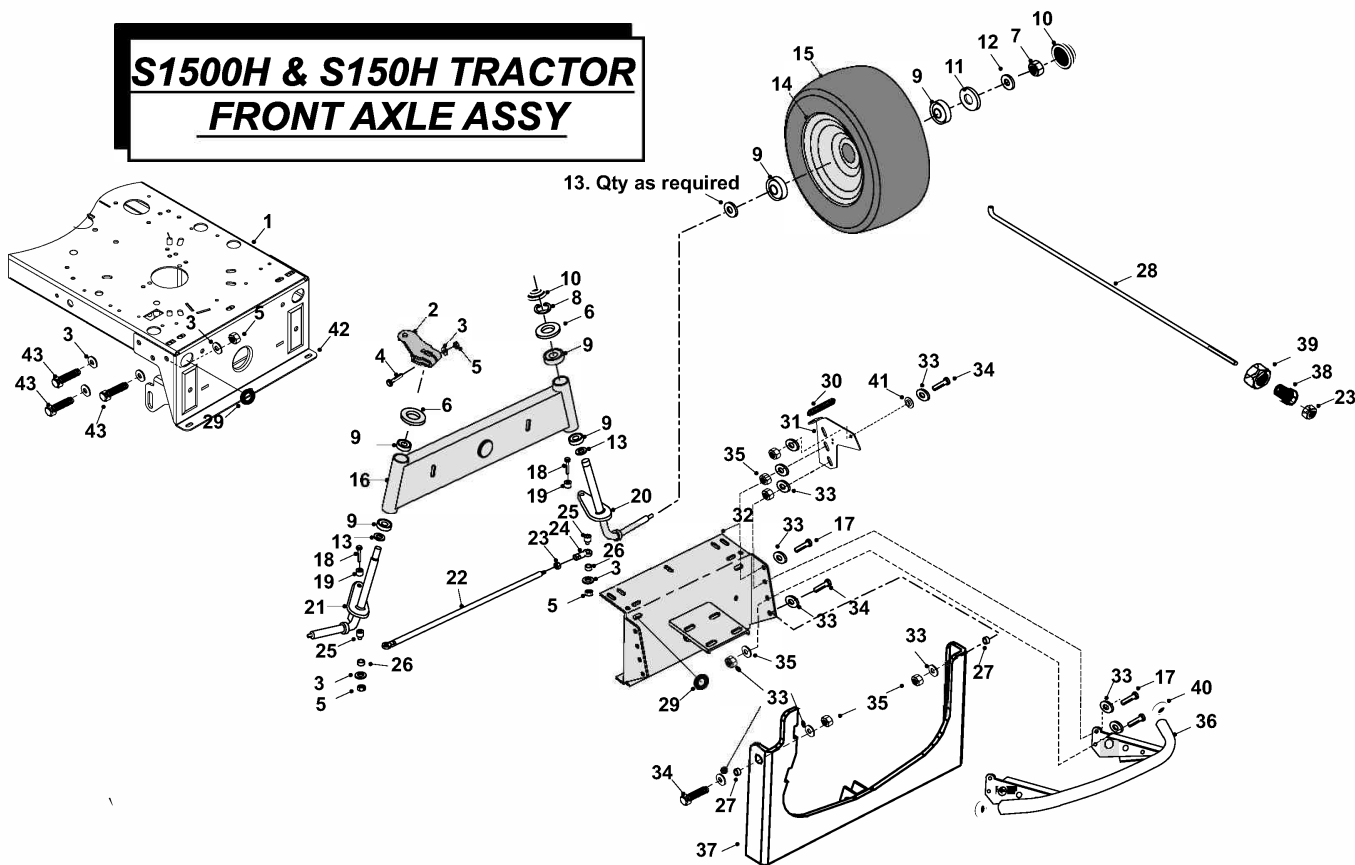
SERVICE DRAWINGS

AND PARTS LIST

INDEX

1. FRONT AXLE ASSEMBLY
2. BONNET ASSEMBLY
3. CONSOL ASSEMBLY
4. REAR BODY ASSEMBLY
- 4a. REAR BODY ASSEMBLY MANUAL
5. PTO & TRANSMISSION ASSEMBLY
6. HYDROSTATIC TRANSAXLE ASSEMBLY
7. S1500H MANUAL WIRING LOOM
8. DECK CRADLE ASSEMBLY
9. DECALS

S1500H & S150H TRACTOR FRONT AXLE ASSY



SECTION 1

S1500H & S150H BRIGGS TRACTOR FRONT AXLE ASSEMBLY PARTS LIST

	PART DESCRIPTION	PART NUMBER
1.	Chassis 2WD & 4WD	32702401
2.	Steering Arm	32702501
3.	Washer M10	088002400
4.	Coach Bolt M10 x 60mm zinc clear	018005000
5.	Nyloc Nut M10	04886100
6.	Stub Axle Spacer	183006200
7.	Nyloc Nut M12	049381100
8.	19mm External Circlip	07921200
9.	Front Wheel Bearing	10802200
10.	Hub Cap (Moulded)	14811800
11.	Hub Cap Washer 46mm x 13mm I.D.	30128100
12.	M12 Washer	088001200
13.	Washer 28.5 x 17mm	081258200
14.	Front Wheel Rim & Hub S150 Front Rim	32701100 198006100
15.	Front Tyre 15X6 Wheel Valve (Not Illustrated - Location Outer Wheel Hub) S150 Front Tyre	19802800 14889200 198005900
16.	S1500 Front Axle Beam S150 Front Axle Beam	327014700 327845000
17.	M8 x 20mm Bolt	02825900
18.	M10 x 100 Hex Head Bolt	019480300
19.	Rose Joint Boss	31302400
20.	Stub Axle L/H S150 Stub Axle L/H	327015101 327815101
21.	Stub Axle R/H S150 Stub Axle R/H	327015201 327815201
22.	Track Rod M10 S150 Track Rod M10	31318300 183538400
23.	Locknut M10	04872100
24.	Rod End 10mm	10872600
25.	Rose Joint Shoulder Boss Long	31337100
26.	Rod End Spacer. 12.7 OD x 10ID x 7mm	183016900
27.	7 x 5/16mm Spacer	31302800
28.	Deck Tension Rod	313513701
29.	1" Grommet	52848000
30.	Bonnet Spring	25805200
31.	Bonnet Stop L/H Bonnet Stop R/H	301135902 301135802
32.	Chassis Front	327014600
33.	M8 Washer	088003700
34.	Bolt M8 x 25 mm Bolt	02826000
35.	M8 Nyloc Nut	04920100
36.	Mild Steel Bull Bar	327807600
37.	Deck Tension Cradle	327365700

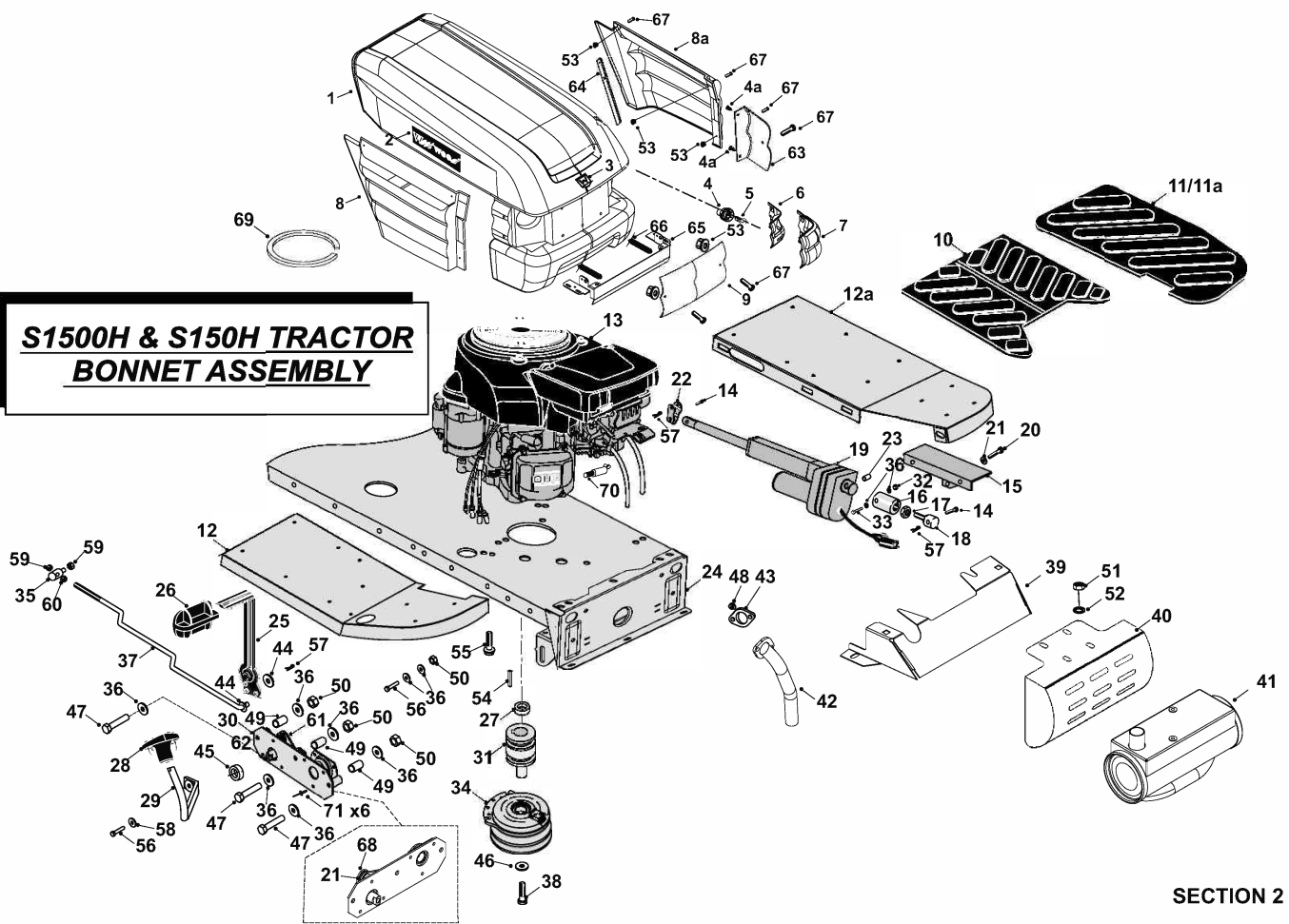
S1500H & S150H BRIGGS TRACTOR
FRONT AXLE ASSEMBLY
PARTS LIST

	PART DESCRIPTION	PART NUMBER
38.	Deck Tension Adjuster	189507400
39.	M16 Lock Nut	049382500
40.	Bull Bar Plastic End Caps	148014400
41	Deck Lift Pivot Spacer	183529500
42	2WD Chassis Front Welded Assembly	327998000
43	M10 x 25mm Bolt	028002300

MARCH 2011

SECTION 1

**S1500H & S150H TRACTOR
BONNET ASSEMBLY**



SECTION 2

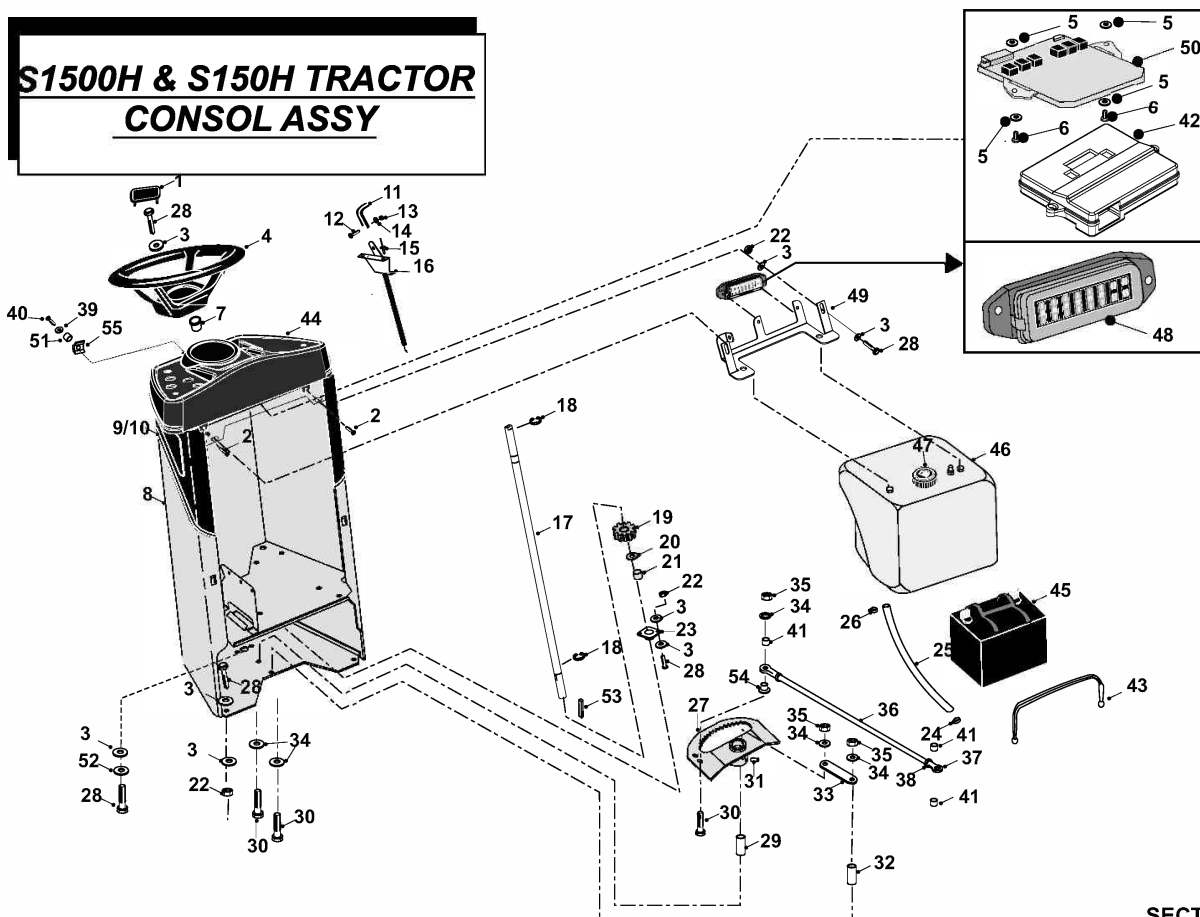
S1500H & S150HTRACTOR BONNET ASSEMBLY PARTS LIST

	PART DESCRIPTION	PART NUMBER
1.	WW Bonnet	149557700
2.	WW Side Bonnet Badge	359525100
3.	WW Dome Bonnet Badge	359525200
4.	Headlight Unit – Hella	448008400
4a.	Fir Tree Fastener	148014900
5.	Headlight Bulb 21w – Hella	448008500
6.	L/H Westwood Headlamp R/H Westwood Headlamp	148011400 148011500
7.	L/H Westwood Light Lens R/H Westwood Light Lens	148011200 148011300
8.	Engine Side Panel R/H ww 2008	149551100
8a.	Engine Side Panel L/H ww 2008	149551000
9.	Westwood Bonnet Front Fixing Panel	148011600
10.	Centre Runner Mat	149555200
11.	Running Board Mat L/H (Uplifted Running Board)	149555400
11a	Running Board Mat R/H (Uplifted Running Board)	149555300
12	C Series Running Board RH from serial no 10323	327177701
12a	C Series Running Board LH from serial no 10323	327177801
13.	BRIGGS 14.5HP Engine	Not Available from Countax
14.	Actuator Pin	189504800
15.	H.E. Mounting Bracket	327363500
16.	Universal Actuator Attachment Body – Aug 03	183028100
17.	Nut M12	049381200
18.	Deck Lift Actuator Adjustment Screw	187184900
19.	Actuator 1200N Hiwin	449664100
20.	M10 x 55mm Hx Head Bolt	018002400
21.	Washer 10.81 i.d. x 20.70d x 2mm Thk	088002400
22.	Universal Deck Lift Arm –Hiwin Actuator	307192400
23.	Actuator Insert Pin	183023500
24.	Chassis 2WD	32702401
25.	Forward Pedal Rod	32952200
26.	Forward Pedal Rubber	148013700
27.	Engine Pulley Spacer	183028300
28.	Reverse Pedal Rubber	148013800
29.	Cassette Reverse Pedal	327361300
30.	Transmission Cassette 2002 C Series Cassette Plate	409429500 301143000
31.	Magstop Engine Pulley	31330503
32.	Full Nut Hex M8 Z/P	04822300
33.	M8 x 40mm Bolt	018003200
34.	Warner Electric Mag Stop Clutch	44936100
35.	Forward Reverse Trunnion	183017300
36.	M8 Washer	088003700
37.	Cassette Forward Reverse Rod	313021701

S1500H & S150H TRACTOR
BONNET ASSEMBLY
PARTS LIST

	PART DESCRIPTION	PART NUMBER
38.	Bolt 7/16" UNF x 4.5 UNF	019481700
39.	WW S1300, S1600 Heat Shield	301136200
40.	Exhaust Box Cover	307199700
41.	2009 CSeriesExhaust Box S150H Exhaust Box	401007001 401007201
42.	14.5HP Briggs Exhaust Welded	327997700
43.	Exhaust Gasket	Supplied by Honda
44.	9 ID x 22 OD x 2mm Washer	088845300
45	Reverse Pedal Cassette Spacer	18301100
46	Engine Pulley Cap	18312200
47	Bolt M8x 55mm	028662600
48	Exhaust Flanged Fixing Nuts	Supplied by Honda
49	2002 Cassette Chassis Spacer	187185600
50	M8 Nyloc Nut	04920100
51	M8 x 45mm Bolt	02941000
52	Washer M8 x 25 x 3 unplated	089418600
53	M5 Jack Nut	048001400
54	Engine Key 1/4" Square x 1.1/4"	09853401
55	Engine Bolt 3/8" x 1.1/4" BZP	01848700
56	Bolt M8 x20mm	02825900
57	3/32 x 1/2" Split Pin	06861500
58	M8 Star lock washer	088003800
59	Nyloc Nut M10	04886100
60	Locknut M10	04872100
61	Pedal Cassette Link Plate	405080300
62	Reverse Pedal Spindle	327361100
63	WW Bonnet LH Fixing Panel	148011700
	WW Bonnet RH Fixing Panel	148011800
64	WW Side Panel Retainer Bracket LH	301971501
	WW Side Panel Retainer Bracket RH	301971601
65	WW Bonnet Hinge Assembly	327807700
66	Spring	25805200
67	M5 x 25mm Button Head Bolt	018003700
68	3/8" Lock washer	089418300
69	Bonnet Trim	148015000
70	Oil Drain Valve	52851200
71	4.8 x 10mm Pop Rivet	12824400

S1500H & S150H TRACTOR CONSOL ASSY



SECTION 3

S1500H & S150H BRIGGS TRACTOR
CONSOL ASSEMBLY
PARTS LIST

	PART DESCRIPTION	PART NUMBER
1.	Steering Wheel Cap	14938700
2.	M5 x 16mm Pozi pan screw	019479500
3.	M8 Washer	088003700
4.	Steering Wheel	14928200
5.	M4 washer	08952500
6.	8 x 5/8" Pozi pan Steel Hilo Screw	029427000
7.	Column Upper Bush	14801800
8.	C Series Consol	327807101
9.	Rubber Knee Pad R/H	148986300
10.	Rubber Knee Pad L/H	148986200
11.	Control Knob	14810400
12.	Set Screw M4 x 12mm Pozi Pan Zinc Plated	02826300
13.	Nut M4 Nyloc T	04826400
14.	M4 Form A Washer BZP	08826200
15.	Rivet 4.8mm x 10mm	12824400
16.	Throttle Cable S1500H & S150H	528005000
17.	Steering Column – C Series	31328401
18.	Circlip 5/8"	07823800
19.	Steering Gear	213112100
20.	Washer 5/8" T3 LP	08822700
21.	Steering Rod Spacer	18401500
22.	M8 Nyloc Nut	04850600
23.	Column Lower Bearing	10801700
24.	Spring Type Hose Clip	11867100
25.	Fuel Feed Pipe 40cm	14803200
26.	Jubilee Clip (Fuel Tank Hose)	11856900
27.	Steering Quadrant 17 tooth	327015700
28.	Bolt M8 x20mm	02825900
29.	Steering Quadrant Pivot	31337400
30.	M10 x 65mm Hex Head Bolt BZP	018005300
31.	Grease Nipple 5/16"	11808600
32.	Steering Support Boss	31337500
33.	Steering Link Plate	27102400
34.	Washer 10.81 i.d. x 20.70 d x 2mm Thk	088002400
35.	M10 Nyloc Nut	04886100
36.	Track Rod	31318300
37.	Rod End 10mm	10872600

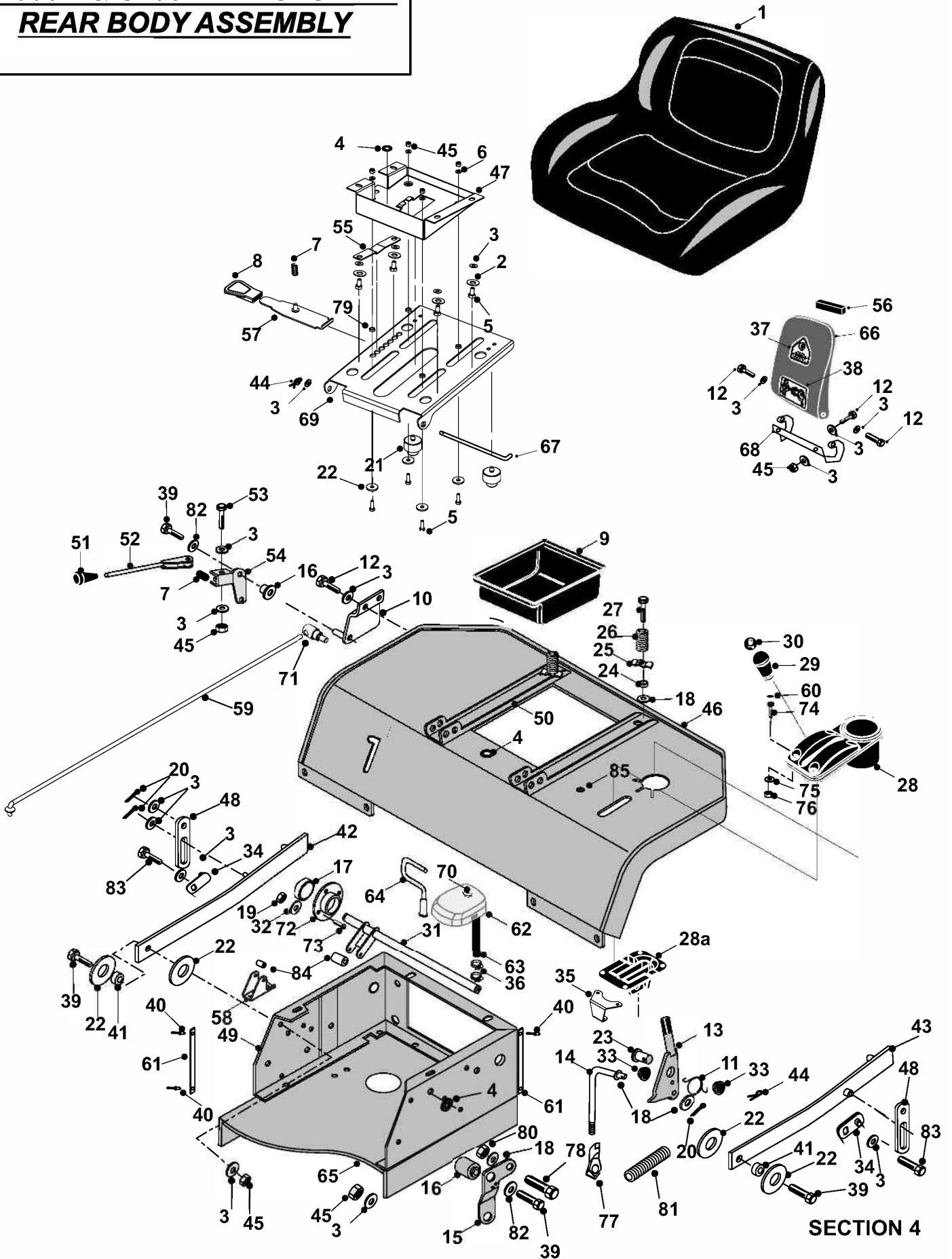
S1500H & S150H BRIGGS TRACTOR
CONSOL ASSEMBLY
PARTS LIST

	PART DESCRIPTION	PART NUMBER
38.	M10 Locknut	04872100
39.	M6 Washer	089422200
40.	M6 x 25mm Pozi Pan Screw	018003700
41.	Steering Track Rod End Spacer	183016900
42.	2 Part PCB Board Case	149552000
43.	Battery Strap	149499500
44.	Dashboard Consol Top	148986100
45.	Battery 12v 3AH (Gel)	458141200
46.	Fuel Tank	14803000
47.	Fuel Tank Cap	52803100
48.	2002 Fuse Box Holder	301139400
49.	Fuel Tank & Fuse Holder Bracket	307205800
50.	Main PCB Current	448017013
51.	Dashboard Spacer	149557400
52.	M8 Starlock washer	088003800
53.	Key	09823900
54.	15mm Rose joint spacer	189513700
55.	M6 Cage Nut	048000900

MARCH 2011

SECTION 3

S1500H & S150H TRACTOR HE REAR BODY ASSEMBLY



SECTION 4

S1500H & S150H TRACTOR HE REAR BODY ASSEMBLY PARTS LIST

	PART DESCRIPTION	PART NUMBER
1.	Seat	14947200
2.	Shakeproof Washer	088003800
3.	M8 x 20mm Washer	088003700
4.	16mm Grommet	52849700
5.	M8 x 16mm Bolt	028001000
6.	M8 x 13mm Washer	089422300
7.	Seat Mechanism Spring	25831100
8.	Seat Mechanism Handle	149551800
9.	Tool Tray	14848500
10.	PTO Engage Bridge	32722503
11.	Spring Handbrake Block Torsion 1.75 Dia	258000600
12.	Bolt M8 x 20mm	02825900
13.	Handbrake Handle	321124301
14.	Handbrake Link Rod	318961703
15.	Handbrake Chassis Joggle Plate	301137804
16.	Handbrake Chassis Joggle Plate Boss	183027400
17.	Bearing	10811600
18.	Washer 10.81i.d. 20.70 o.d. x 2mm Thk	088002400
19.	M5 Nyloc Nut	04885900
20.	Split Pin 1/2" x 1/8"	06855200
21.	Rubber Seat Spring retainer	149551900
22.	M8 x40 x3mm Heavy Gauge Washer	08925400
23.	Deck Lift Pin 1/2 x 1 3/8"	31336800
24.	Spacer (Seat Spring)	31330800
25.	Spring Retaining Washer (seat)	27835400
26.	Adjustable Seat Spring	25858100
27.	M10 x 40 Socket Cap Screw Zinc Plated	028003400
28.	Handbrake Cup Holder	148013900
28a	Handbrake Lever Housing	148014000
29.	C-Series Handbrake Handle Knob	149557300
30.	Handbrake Handle Badge 2002	359505100
31.	Cross Shaft Deck Lift	327009400
32.	M5 Washer	088002800
33.	Handbrake Nylon Bush	149498000
34.	Sweeper Lift Cross Bar Conn Plate	327016100
35.	Park Brake Switch Bracket	301151300
36.	Jubilee Clip	11861500
37.	PTO `Danger` Decal	35809500
38.	Decal PTO Flap	35891200
39.	Bolt M8 x 45mm (Vac)	02941000

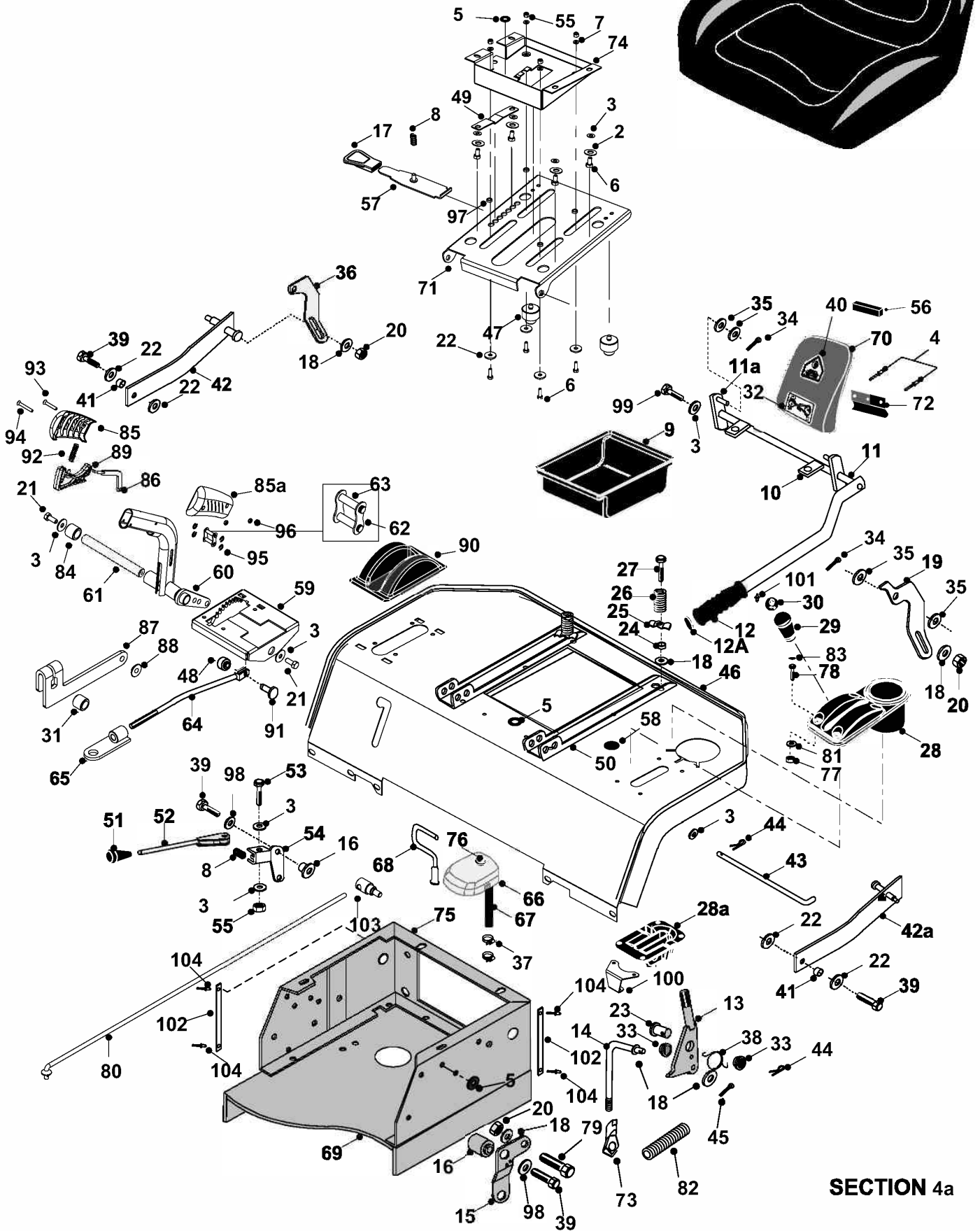
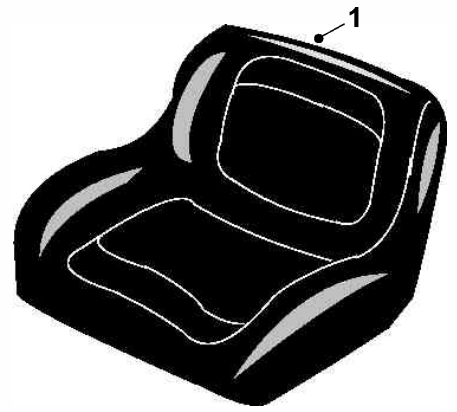
JAN 2011**SECTION 4**

S1500H & S150H TRACTOR HE REAR BODY ASSEMBLY PARTS LIST

	PART DESCRIPTION	PART NUMBER
40.	Large head 4.8 x 10 x 14mm pop rivet	128000100
41.	Spacer 9 x 8.3mm I.D.	31302700
42.	HE Sweeper Lift Arm R/H	32720300
43.	HE Sweeper Lift Arm L/H	32721100
44.	R-Clip 2mm	06849100
45.	M8 Nyloc Nut	04920100
46.	Rear Body Panel HE	327028600
47.	Seat Base Plate	301985401
48.	HE Sweeper Lift Plate	30133500
49.	Rear Seat Box	327308500
50.	Seat Attachment Channel	301985800
51.	Lever Knob	14804800
52.	PTO Engage Lever	32708702
53.	M8 x 40mm Hx Hd Bolt	018003200
54.	PTO Level Plate – H.E. only	30134500
55.	Seat Spring Retainer Plate	301985700
56.	PTO Foam Strip	148012200
57.	Seat Release Mechanism Lever	325000601
58.	LA10 Actuator Seatbox Bracket	307023200
59.	C Series PTO Tension Rod	318963201
60.	M6 Socket Screw Cap	148014300
61.	Stainless Steel Wear Strip	301140300
62.	K46 Oil Tank	148014600
63.	Reservoir Hose	148014800
64.	Sweeper Belt Guide Pin	327012700
65.	Chassis 2WD	32702401
66.	PTO Flap Shell (H.E.)	149496300
67.	Seat Pivot Rod	31301800
68.	PTO Flap Hinge	302005200
69.	Seat Running plate	301985503
70.	Vent Valve Breather	148014700
71.	PTO Engage Trunnion	18318000
72.	Bearing Housing 17mm	27106600
73.	Screw M5 x 16mm	019479500
74.	Screw M6 x 20mm	018000300
75.	Washer M6	089422200
76.	Nut Nyloc M6	04920500
77.	Rose Joint M10 Rod	10872600
78.	M10 x 30 Bolt	02886000
79.	Seat Running Plate Spacer	183856700
80.	M10 Nut	04886100
81.	42" Deck Spring	25906200
82.	M8 x3mm thick washer	08819800
83.	M8 x 25mm Bolt	02826000
84.	Actuator Insert Pin	183023500
85.	1 ¼" Closed Blanking Grommet	149547500

S1500H & S150H TRACTOR MANUAL

REAR BODY ASSEMBLY



SECTION 4a

S1500H & S150H BRIGGS MANUAL
REAR BODY ASSEMBLY
PARTS LIST

	PART DESCRIPTION	PART NUMBER
1.	Seat	14947200
2.	Shakeproof Washer	088003700
3.	M8 x 20mm Washer	088003800
4.	Pop Rivet LSR 16mm	12950200
5.	16mm Grommet	52849700
6.	M8 x 16mm Bolt	028001000
7.	M8 x 13mm Washer	089422300
8.	Seat Attachment Spring	25831100
9.	Tool Tray	14848500
10.	PTO Hanging Plate	32733300
11.	Sweeper Lift Lever	32733201
11a	PTO Pivot End Assembly	32704800
12.	Soft Handle Grip	38936500
12a	Bag Tipping Handle Plug	14880500
13.	Handbrake Handle	321124301
14.	Handbrake Link Rod	318961703
15.	Handbrake Chassis Joggle Plate	301137800
16.	Handbrake Chassis Joggle Plate Boss	183027400
17.	Seat Mechanism Handle	149551800
18.	Washer 10.8i.d. 20.70 o.d. x 2mm Thk	088002400
19.	L/H Sweeper Lift Hook	307177100
20.	M10 Nyloc Nut	04886100
21.	Bolt M8 x 20mm	02825900
22.	M8 x40 x3mm Heavy Gauge Washer	08925400
23.	Deck Lift Pin ½ x 1 3/8"	31336800
24.	Spacer (Seat Spring)	31330800
25.	Spring Retaining Washer (seat)	27835400
26.	Adjustable Seat Spring	25858100
27.	M10 x 40 Socket Cap Screw Zinc Plated	028003400
28.	Handbrake Cup Holder	148013900
28a	Handbrake Lever Housing	148014000
29.	C-Series Handbrake Handle Knob	149557300
30.	Handbrake Handle Badge 2002	359505100
31.	Sweeper Lift Bar Spacer H.E.	31323500
32.	Decal PTO Flap	35891200
33.	Handbrake Nylon Bush	149498000
34.	Long Split Pin	06823300
35.	M12 Washer	088001200
36.	R/H Sweeper Lift Hook	30139200
37.	Jubilee Clip	11861500
38.	Spring Handbrake Block Torsion 1.75 Dia	258000600
39.	Bolt M8 x 45mm (Vac)	02941000

MARCH 2011

SECTION 4a

S1500H & S150H BRIGGS MANUAL REAR BODY ASSEMBLY PARTS LIST

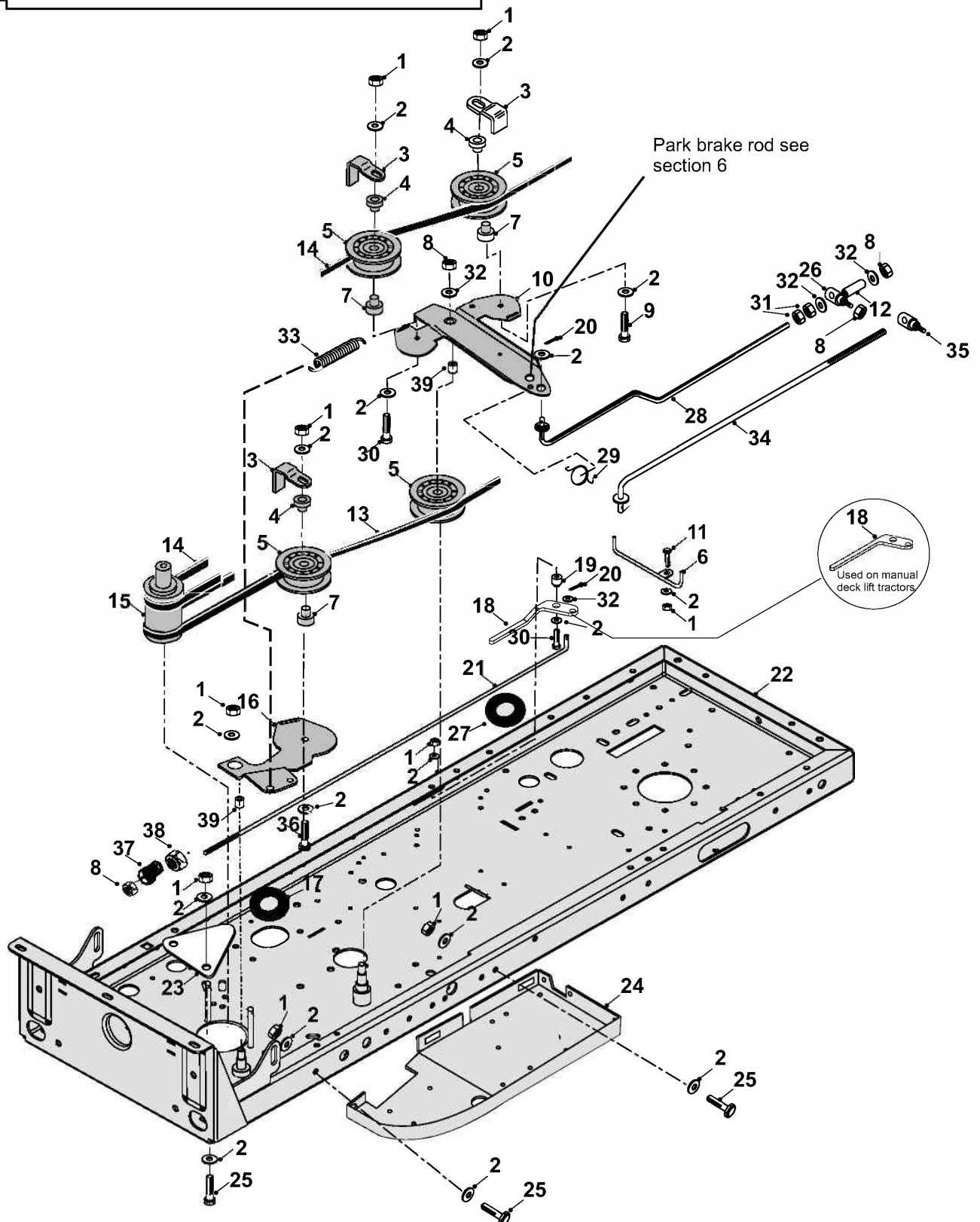
	PART DESCRIPTION	PART NUMBER
40.	PTO Danger Decal	35809500
41.	Spacer 9 x 8.5mm I.D.	18302700
42.	PGC Link Arm (RH)	32725901
42a	PGC Link Arm (LH)	32726001
43.	Seat Pivot Rod	31301800
44.	R-Clip 2mm	06849100
45.	Split Pin 1/2" x 1/8"	06855200
46.	Rear Body Panel manual	327806800
47.	Rubber Seat Spring Retainer	149551900
48.	Sweeper Ball Joint Spacer	183025600
49.	Seat Spring Retainer Plate	301985700
50.	Seat Attachment Channel	301985800
51.	Lever Knob	14804800
52.	PTO Engage Lever	32708702
53.	M8 x 40mm Hx Hd Bolt	018003200
54.	PTO Level Plate – H.E. only	30134500
55.	Nut M8	04920100
56.	PTO Foam Strip	148012200
57.	Seat Release Mechanism Lever	325000601
58.	1/14" Closed Blanking Grommet	149547500
59.	Manual Deck Lift Carry Plate Welded Assembly	327805900
60.	Manual Deck lift Handle Welded Assembly	327805801
61.	Manual Deck Lift Cross Shaft	183528600
62.	Manual Deck Lift Link Slide Plate	301965300
63.	Manual Deck lift Link slide Pin	183528801
64.	Manual Deck Lift Yoke Weld Assembly C Series	327806201
65.	Adjuster Rod Plate welded Assembly	327806100
66.	K46 Oil Tank	148014600
67.	Reservoir Hose	148014800
68.	Sweeper Belt Guide Pin	327012700
69.	Chassis 2WD	32702401
70.	PTO Flap Shell (Manual)	149496400
71.	Seat Running Plate	301985503
72.	PTO Flap Hinge	149496500
73.	Rose Joint 10mm	10872600
74.	Seat Base Plate	301985401
75.	Rear Seat Box	327308500
76.	Vent Valve Breather	Tuff Torq Part No 1948592452
77.	Nut Nyloc M6	04920500
78.	Rscrew M6 x 20mm	018000300
79.	M10 x 30 Bolt	02886000
80.	C series PTO Tension Rod	318963201
81.	Washer M6	089422200
82.	42" Deck Spring	25906200
83.	M6 Socket Screw Cap	148014300
84.	2050 Diesel PTO Spacer	183013800
85.	Manual Deck Lift RH Handle Grip	149550400

85a	Manual deck Lift LH Handle Grip	149550500
86	Manual Deck lift Trigger Rod Weld Assembly	327878100
87	Manual Deck Lift Linkage arm	301965400
88	C Series Deck Lift Pivot Spacer	183529500
89	Manual deck Lift Handle Trigger	149550601
90	Manual Deck Lift RH Rear Body Cover	149550700
91	X Series Deck Clevis Pin	313513100
92	Manual Deck Lift Handle spring	259405900
93	M5 x 30mm Countersunk Screw	028004000
94	M5 x 35mm Countersunk Screw	029425000
95	4mm E Clip	07986100
96	M5 Nut black	048001800
97	Seat Running Plate Spacer	183856700
98	M8 x 3mm Thick Washer	08819800
99	M8 x 25mm Bolt	02826000
100	Park Brake Switch Bracket	301151300
101	Grommet Foot	14946600
102	Stainless Steel Wear Strip	301140300
103	PTO Engage Trunnion	18318000
104	Large Head 4.8 x 10 x 14mm Pop Rivet	128000100

MARCH 2011

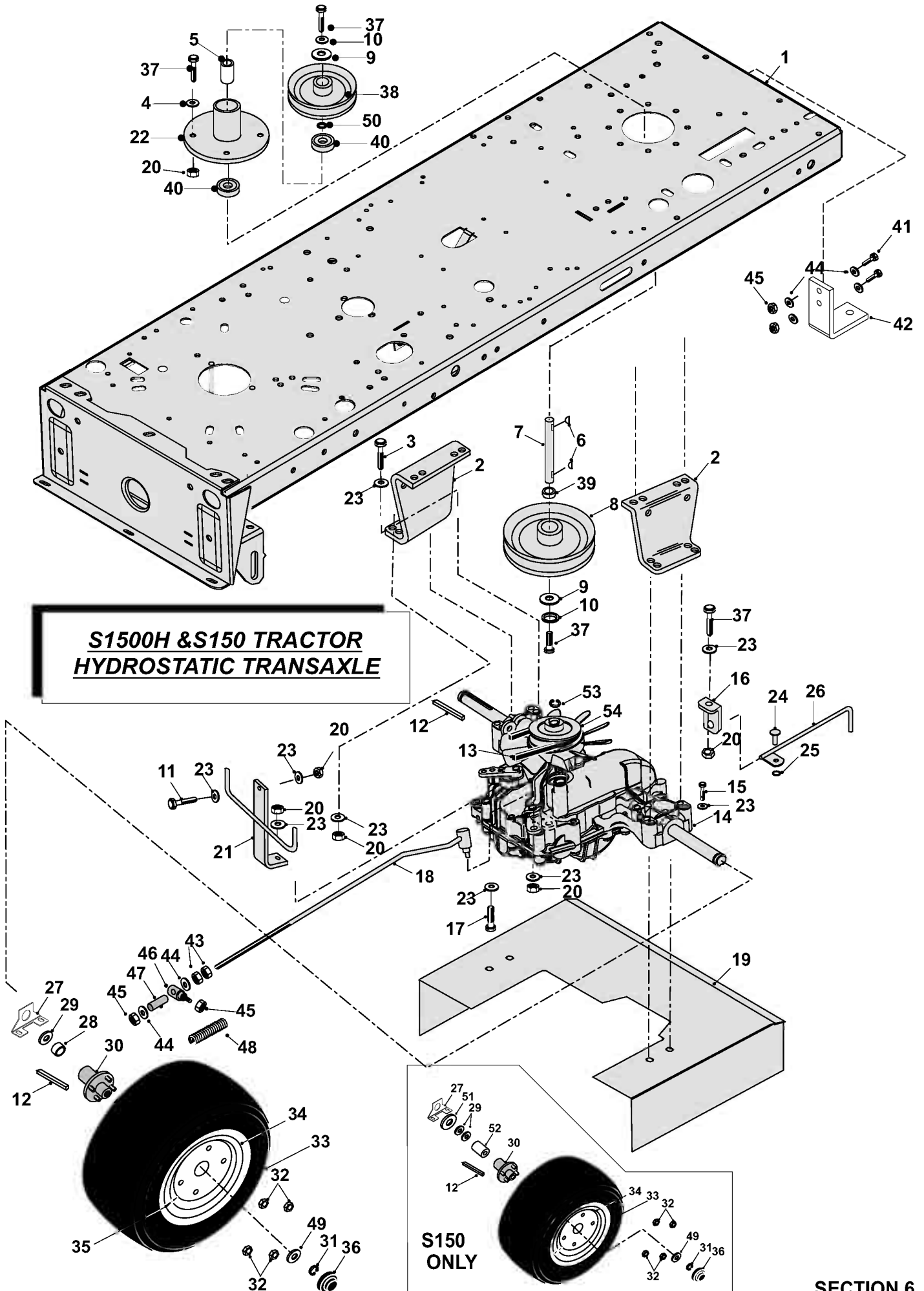
SECTION 4a

S1500H & S150H PTO & TRANSMISSION ASSY



S1500H & S150H BRIGGS TRACTOR
PTO & TRANSMISSION ASSEMBLY
PARTS LIST

	PART DESCRIPTION	PART NUMBER
1.	Nut M8	04920100
2.	M8 Washer	088003700
3.	Belt Retaining Bracket	307187100
4.	Spacer Jockey Wheel	18831600
5.	PTO Jockey Pulley Plastic	20811500
6.	PTO Rear Belt Guide	328955500
7.	Sweeper Jockey Cap	31351100
8.	M10 Nyloc Nut	04886100
9.	Bolt M8 x 40mm mushroom head	018001700
10.	Jockey Pulley Plate	328955100
11.	Bolt M8 x 20mm	02825900
12.	MK3 Park Brake Engage Rod Sleeve	183019100
13.	PTO Drive Belt Dayco A82	22811100
14.	A79 Super 11 Belt Transmission Drive K46	229503400
15.	Magstop Engine Pulley	31330503
16.	PTO Jockey Plate	327360700
17.	Grommet Large	14945600
18.	Manual Lift Deck Tension Rod Electric Lift Deck Tension Rod	541120600 541122600
19.	Pivot (Deck Overlock)	18833700
20.	Split Pin 1/8" x 1"	06823300
21.	Deck Tension Rod	313513701
22.	Chassis 2WD	32702401
23.	Clutch Retaining Bracket	302007000
24.	Running Board R/H Running Board L/H (Not Illustrated)	327177701 327177801
25.	M8 x 25mm Bolt	02826000
26.	Park Brake Engage Rod Trunnion	189514100
27.	1" Grommet	52848000
28.	Hand Brake Engage / Park Brake Rod	318952402
29.	Trunnion damping Spring	259405600
30.	M8 x 45mm Bolt	02941000
31.	Locknut M10	04872100
32.	Washer 10.8 id x 20.7 od x 2mm Thk	088002400
33.	Return Spring	25812201
34.	Transmission Rod	327360900
35.	Trunnion (PTO Engage)	18318000
36.	M8 x 40mm bolt	018003200
37.	Deck Adjuster Nut	189507400
38.	M16 Half Nut	049382500
39.	Oilite Bush	52824700



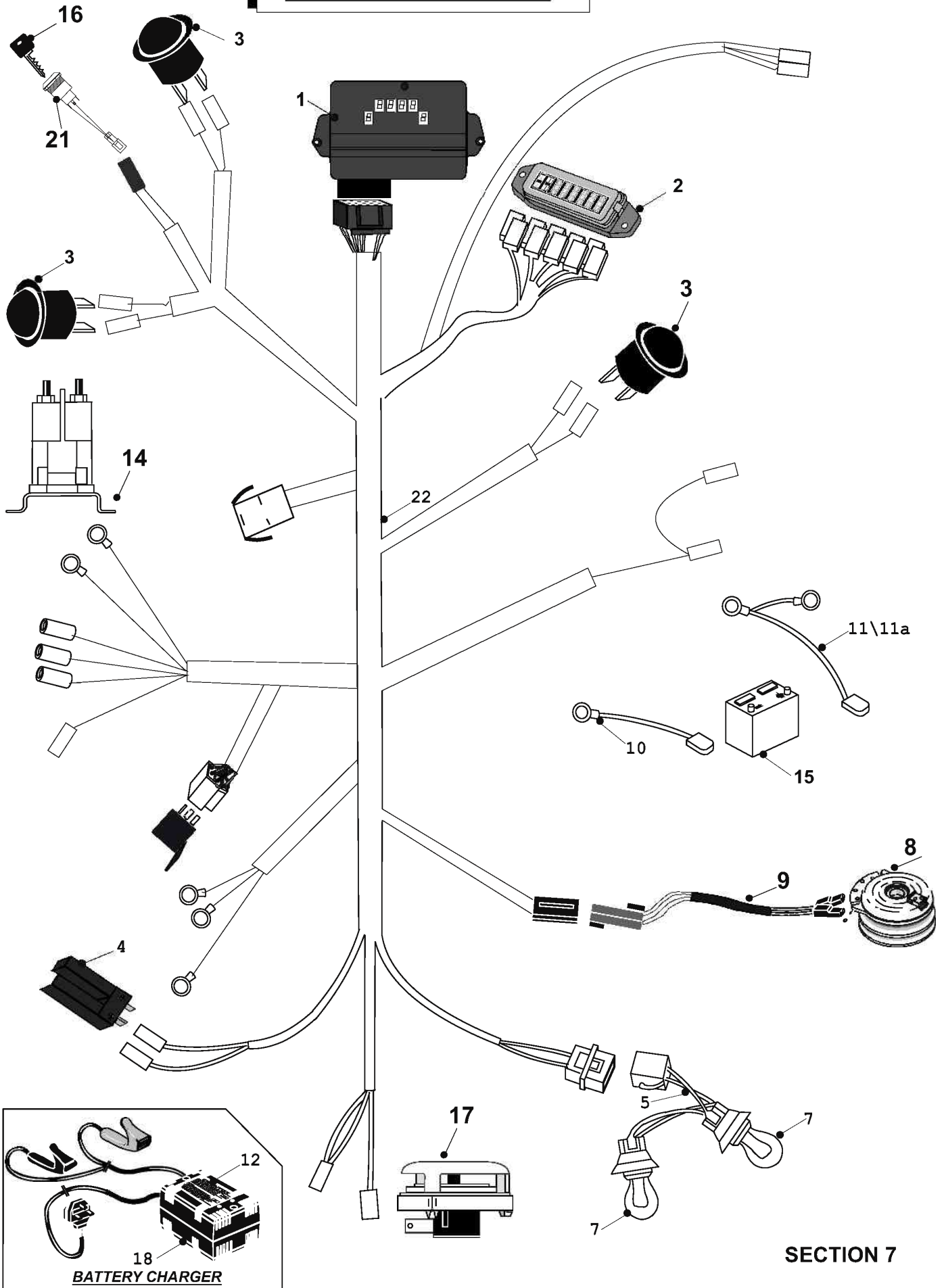
**S1500H & S150H BRIGGS TRACTOR
TRANSAXLE ASSEMBLY
PARTS LIST**

	PART DESCRIPTION	PART NUMBER
1.	Chassis 2WD	32702401
2.	Transaxle Bracket	307025900
3.	M8 x 70mm Hex Bolt Zinc Plated & Clear PAS	028663200
4.	M8 Washer	08819501
5.	PTO Centre Spacer	31334800
6.	Key	09823900
7.	PTO Shaft	32306000
8.	Pulley 7"	20870700
9.	Washer M8 x 25 x 3mm	08819800
10.	M8 Star Washer (Vac)	088003800
11.	Bolt M8 x 25mm	02826000
12.	Key 2" x 3/16" (Rear Wheel)	09830700
13.	A79 Super 11 Belt – K46	229503400
14.	K46 Hydrostatic Transaxle	478000300
15.	Bolt M8 x 65mm	028662700
16.	99 C-Series Dump Rod Bracket	303071400
17.	Bolt M8 x 50mm	018001800
18.	Handbrake Transmission Rod	327360901
19.	K46 Transaxle Deflector	303071002
20.	Nut M8	04920100
21.	Transaxle Support Bracket	327020402
22.	PTO Bearing Housing	32700300
23.	M8 Washer	088003700
24.	1/4" x 1/2" Flat Head Solid Pin	012855800
25.	Starlock Washer 1/4"	07868700
26.	Dump Valve Lever	321123302
27.	K46 Transaxle Thrust Washer	307191802
28.	K46 Transaxle Wheel Spacer	189498701
29.	28.5 x 17mm washer	081258200
30.	Wheel Hub for 20" Wheel c/w studs & nuts	198002000
31.	19mm External Circlip	07921200
32.	C- Series Wheel Nut	048000901
33.	20" Rear Tyre	198001200
	S150 Rear Tyre	198006000
34.	Rear Wheel Rim 20"	198001100
	S150 Rear Wheel Rim	198006200

**S1500H & S150H BRIGGS TRACTOR
TRANSAXLE ASSEMBLY
PARTS LIST**

	PART DESCRIPTION	PART NUMBER
35.	Wheel Valve	14889200
36.	Hub Cap (Moulded)	14811800
37.	Bolt M8 x 20mm	02825900
38.	PTO Pulley 5"	208000600
39.	PTO End Spacer	31306200
40.	Bearing (PTO Housing)	10811600
41.	Bolt M10 x 30mm	02886000
42.	Tow Bracket	29200101
43.	Nut M10	04872100
44.	Washer 10.8 i.d x 20.7 o.d x 2 mm	088002400
45.	M10 Nyloc nut	04866100
46.	Park Brake Engage rod trunnion	183019000
47.	Park Brake Engage Rod Sleeve	174008900
48.	Spring	259405100
49.	46 x 19.5 galv washer	30127800
50.	M16 Washer	088002600
51.	Transaxle Washer 46 x 20 x 2mm	089423700
52.	S150 & 4WD Wheel Spacer	189503400
53.	70mm Spline Pulley	200811600
54.	E Clip	078000800

**S1500H & S150H BRIGGS
MANUAL WIRING LOOM**



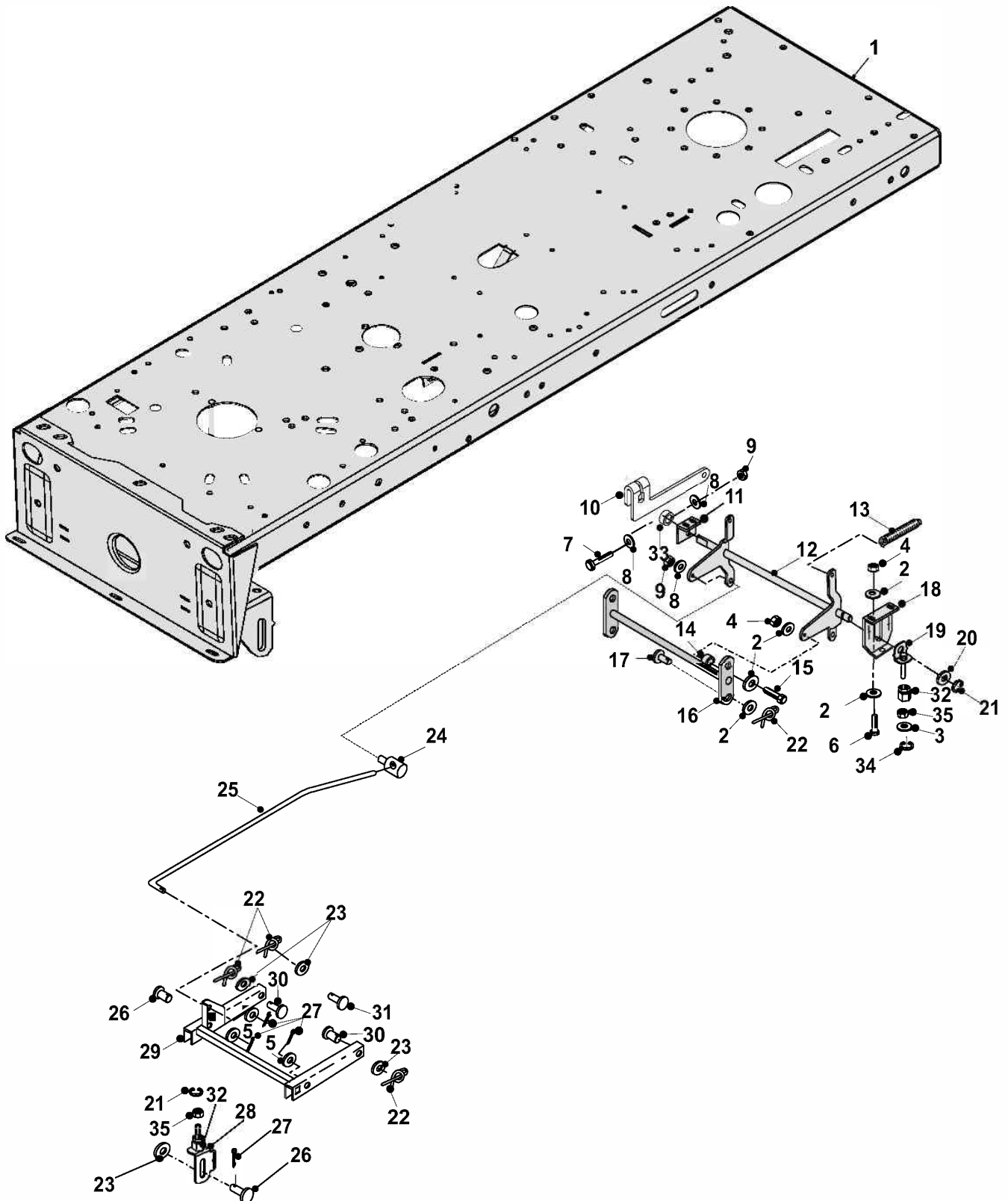
S1500H & S150H TRACTOR
MANUAL WIRING LOOM PARTS LIST

	PART DESCRIPTION	PART NUMBER
1	Main PCB Board – current	449878400
2	2002 Fuse Box Holder	301139400
3	2 Pin Momentary Switch	448008700
4	Position sensor Switch	449666600
5	Headlight Loom	448010400
6	Tie Wrap Mount (not illustrated)	52816800
7	Bulb Hella 21W	448008500
8	Electric Clutch Magstop	44936100
9	Clutch Loom Magstop	44946800
10	Lead Battery to Solenoid	44812602
11	Earth Lead (short)	449662800
11a	Earth Lead (Long)	449662900
12	Battery Charger Decal	359509300
13	Tie Wrap Adhesive (not Illustrated)	52816700
14	Starter Solenoid	44814801
15	Battery 12V (Dry Charged)	458141200
16	Ignition Key	529471700
17	Seat Switch	44949500
18	Battery Charger	449562800
19	10A Amp Fuse (not illustrated)	44889500
20	Fuse Spade 20A (not illustrated)	44835000
21	Ignition Switch	449683300
22	Main wiring loom	449873100
23	Tie Wrap (not Illustrated)	52825400
24	Battery Charger Instructions (not illustrated)	36919400

MARCH 2011

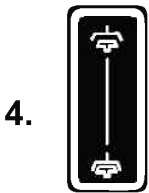
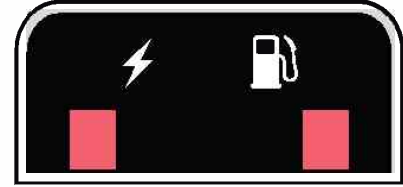
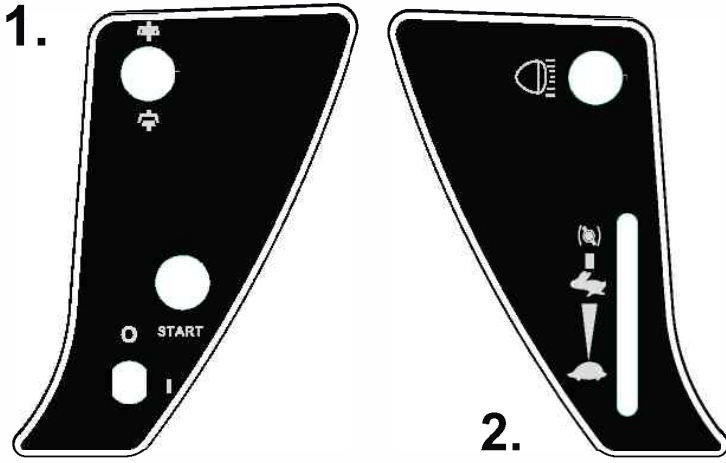
SECTION 07

S1500H & S150H TRACTOR
DECK CRADLE ASSEMBLY

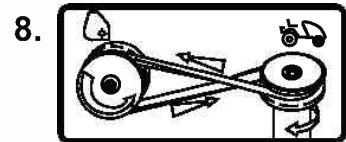
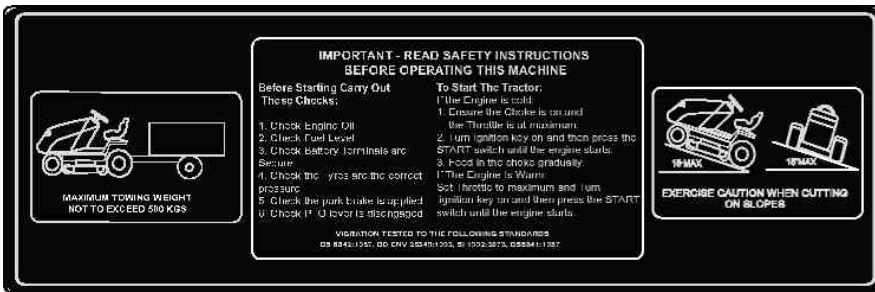


S1500H & S150H BRIGGS TRACTOR
DECK CRADLE ASSEMBLY Parts List

	PART DESCRIPTION	PART NUMBER
1	Chassis 2WD	32702401
2	M8 Washer	088003700
3	Washer 5/8 x 1 1/4"	08822700
4	M8 Nyloc Nut	04950600
5	D Washer	08116100
6	Bolt M8 x 20mm	02825900
7	M10 x 55 Hex Head Bolt	018002400
8	Washer 10.8 i.d. X 20.7 o.d x 2mm Thk	088002400
9	M10 Nyloc Nut	04886100
10	Deck Lift Linkage Arm C Series	301965400
11	Deck Hanging Bracket (Rear)	307189601
12	Deck Hanging Bar (Rear)	327361700
13	Sweeper Lift assist Spring	25908801
14	Spacer 9mm x 8.5mm id	18302700
15	M8 x 30mm Hx Hd Bolt Zinc Plt & Clear Passivated	018001600
16	Deck Lift Cradle Rear	328961100
17	Deck Lift Pin Rear	31337200
18	Rear Deck Level Bracket	301143701
19	Rear Deck Cradle Adjuster	328961400
20	Washer 3/4 T3 LP	08823000
21	M12 'E' Clip	078000800
22	Rue Clip	11836700
23	M12 Washer	088003600
24	2002 Tractor Deck Level Trunnion	189497500
25	Height Adjuster Rod	18805900
26	Deck lift Pin 1/2 x 1 3/4"	31339401
27	Split Pin 1/8" x 1"	06823300
28	Deck Adjustment Plate	327029200
29	Deck Carrying (Front) 1/2 x 1 3/8"	32703700
30	Deck Lift Pin (Front) 3/8 x 1 3/16"	31336800
31	Deck Push Rod Pin	31338200
32	Deck Level Adjuster Nut	189501803
33	Sweeper Bag Link Bar Spacer	31323500
34	19mm External E Clip	07921200
35	M10 Half Nut	04872100



7.



14. S1500HF

15. S150HF



S1500H & S150H BRIGGS TRACTOR

DECALS
PARTS LIST

	PART DESCRIPTION	PART NUMBER
1	C Series RH Manual Decal	359523001
2	C Series LH Dash Throttle & Choke Decal	359522501
3	C Series Display Decal S150 Display Decal	359523101 359532500
4	Rear Body PTO Engage Decal 2003	35882701
5	C-Series Handbrake Handle Badge	359505100
6	Sweeper Height Decal 2003	35937601
7	Instructions Decal	359549100
8	Sweeper Belt Decal (Symbols Only)	35891200
9	PTO Danger Label	35809500
10	Badge Countax Silver	359505800
11	Decal Countax Badge	359513400
12	Noise Label Decal 100db	35809701
13	Rider Deck Danger Decal	35803300
14	S1500H Rear Body Decal	359549800
15	S150H Rear Body Decal	359549700
16	Powered By Briggs Decal	358034900
17	Deck Belt Release	35914600

NOV 2011

SECTION 9