

COUNTAX[®]



V25-50HE TRACTOR
SERVICE DRAWINGS
& PARTS LIST

NOVEMBER 2011

366002800 C

V25-50HE TRACTOR PARTS LIST INDEX 2011

- 1. FRONT AXLE ASSEMBLY**
- 2. TWIN EXHAUST (KAWASAKI ENGINE) ASSEMBLY**
- 3. BONNET ASSEMBLY**
- 4. PEDAL ASSEMBLY**
- 5. CONSOL ASSEMBLY**
- 6. FRONT ACTUATOR & DECK CRADLE ASSEMBLIES**
- 7. P.T.O. TRANSMISSION ASSEMBLY**
- 8. HAND BRAKE ASSEMBLY**
- 9. TUFF TORQ HYDROSTATIC ASSEMBLY**
- 10. HE WIRING LOOM/MANUAL DECK LIFT**
- 11. RUNNING BOARD & REAR BODY ASSEMBLY HE**
- 12. RUNNING BOARD & REAR BODY MANUAL**
- 13. DECALS**

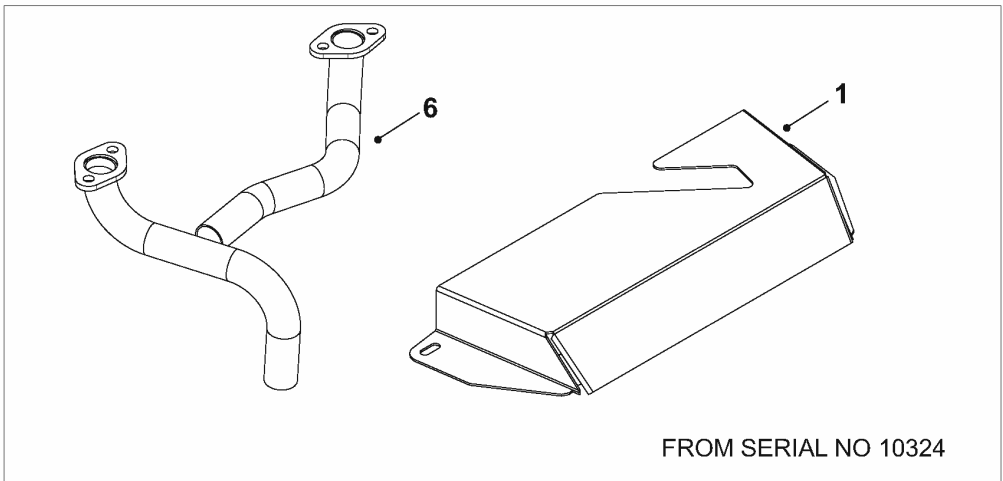
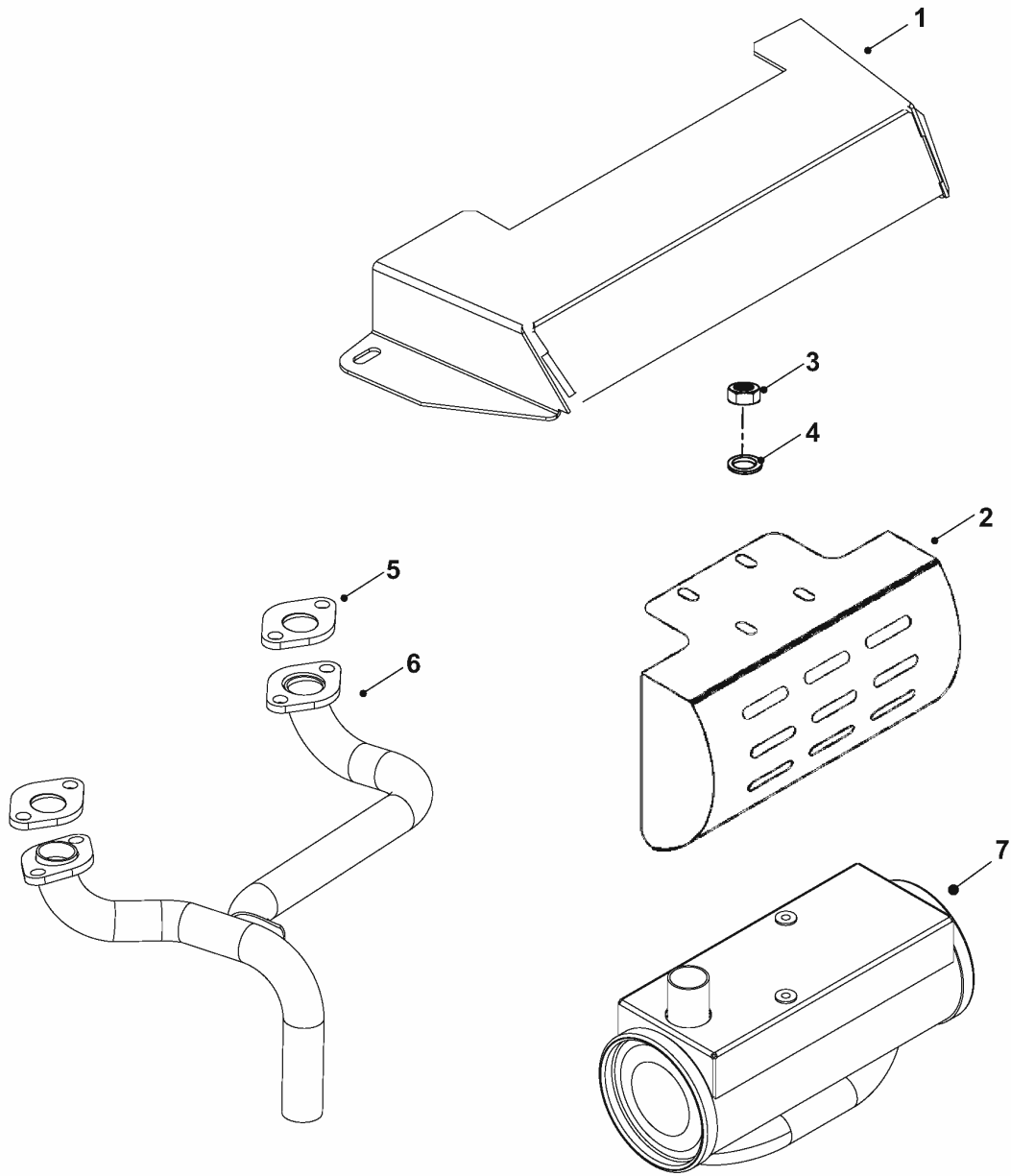
**V25-50HE 2011 TRACTOR
FRONT AXLE ASSEMBLY PARTS LIST**

	PART DESCRIPTION	PART NUMBER
1	M10 Nyloc Nut	04886100
2	M10 Washer	088002400
3	M10 x 60mm Coach Bolt	01800500
4	Chassis	327006300
5	M8 x 20mm Bolt	02825900
6	M8 Washer	088003700
7	M8 Nyloc Nut	04920100
8	Slinger	27122900
9	C Series Axle Beam	327014700
10	Galvanised Washer 28.5 x 17 x 1mm	081258200
11	Front Wheel Bearing	10802200
12	Hub Cap Axle Beam	14811800
13	19mm External Circlip	07921200
14	Stub Axle R/H	327178200
15	Stub Axle L/H	327178300
16	M12 x 80mm Bolt	019478500
17	M12 Washer	088003600
18	Steering Linkage Support Spacer Short	183012700
19	M12 Rose Joint	108728000
20	Steering Link Rod Spacer	183012800
21	M12 Nyloc Nut	049381100
22	Nut M12 half	049381200
23	A2050 Track Rod	183012900
24	M10 x 55mm Bolt	018002400
25	M8 x 25mm Bolt	02826000
26	46 x 13mm Washer	30128100
27	Tyre 16 x 650	198000600
28	Wheel Valve	14889200
29	Wheel Rim	198000700
30	Mild Steel Bull bar	327807600
31	7 X 5/16" Spacer	31302800
32	Deck Tension Cradle	327365700
33	Steering Arm	327173401
34	Bullbar Plastic End Cap	148014400
35	C Series Axle Holder	327014600

MARCH 2011

SECTION 1

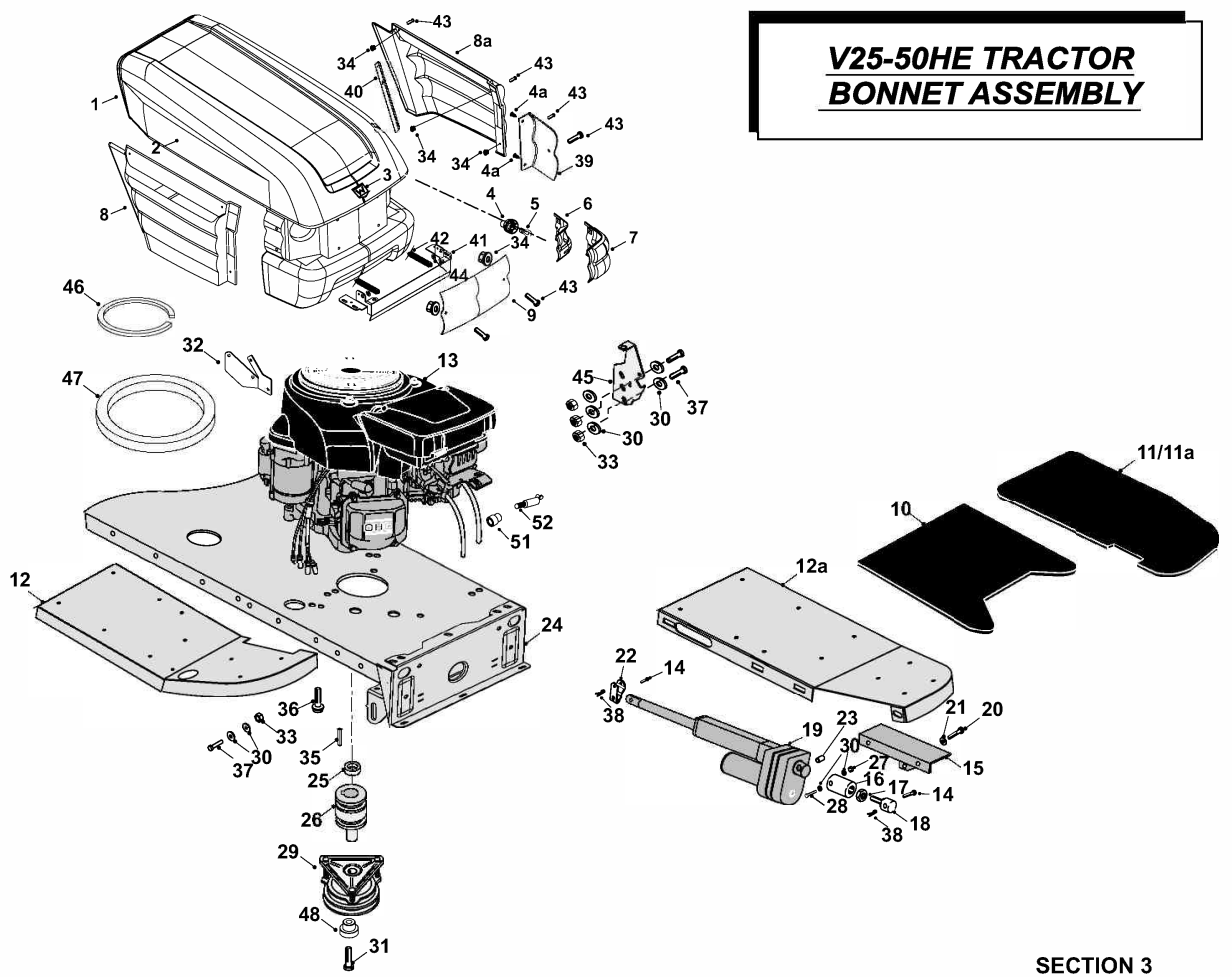
**V25-50HE TWIN EXHAUST ASSEMBLY
KAWASAKI ENGINE**



**V25-50HE TRACTOR
EXHAUST ASSEMBLY
KAWASAKI ENGINE
PARTS LIST 2011**

	PART DESCRIPTION	PART NUMBER
1	V25-50HE Heat Shield upto serial no 10324 T25-4WD Heat Shield from serial no 10324	30840600 541065500
2	Exhaust Cover Galvanised	307199700
3	Full Nut Hex M8 Z/P	04822300
4	M8 Washer	088003700
5	Exhaust Gasket	Supplied by Kawasaki
6	Exhaust Welded Assembly V25-50HE upto serial no 10324 26HP Exhaust Welded Assembly from serial no 10324	32958200 327887800
7	2009 Exhaust L/H Outlet upto serial no 10324 26HP Kawasaki Exhaust Box from serial no 10324	401007001 401008400

**V25-50HE TRACTOR
BONNET ASSEMBLY**



V25-50HTRACTOR
BONNET ASSEMBLY
PARTS LIST

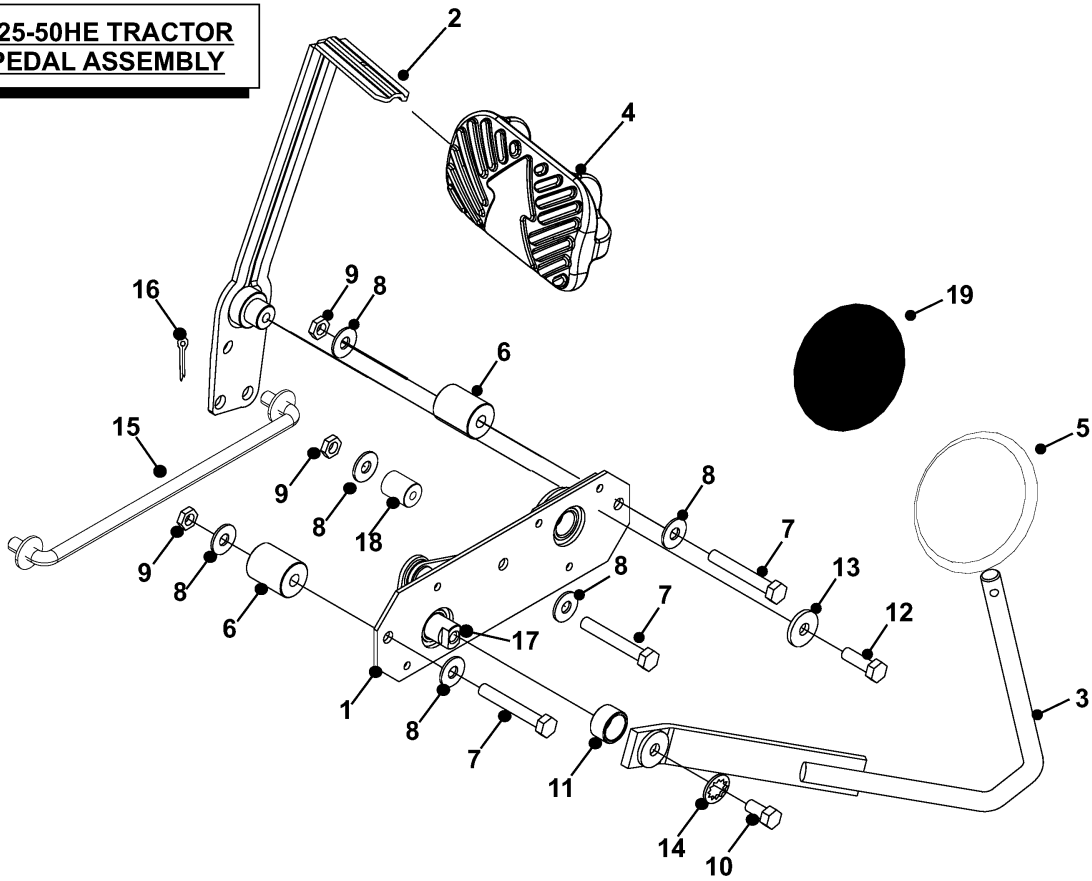
	PART DESCRIPTION	PART NUMBER
1.	WW Bonnet	149551400
2.	WW Side Bonnet Badge	359525100
3.	WW Dome Bonnet Badge	359525200
4.	Headlight Unit – Hella	448008400
4a.	Fir Tree Fastener	148014900
5.	Headlight Bulb 21w – Hella	448008500
6.	L/H Westwood Headlamp R/H Westwood Headlamp	148011400 148011500
7.	L/H Westwood Light Lens R/H Westwood Light Lens	148011200 148011300
8.	Engine Side Panel R/H ww 2008	149551100
8a.	Engine Side Panel L/H ww 2008	149551000
9.	Westwood Bonnet Front Fixing Panel	148011600
10.	Centre Runner Mat	148007400
11.	Running Board Mat L/H	148007200
11a	Running Board Mat R/H	148007300
12	A Series Running Board RH	321122500
12a	A Series Running Board LH	321122400
13.	Kawasaki 25HP	Not Available from Countax
14.	Actuator Pin	189504800
15.	H.E. Mounting Bracket	327015400
16.	Universal Actuator Attachment Body – Aug 03	183028100
17.	Nut M12	049381200
18.	Deck Lift Actuator Adjustment Screw	187184900
19.	Actuator 1200N Hiwin	449664100
20.	M10 x 55mm Hx Head Bolt	018002400
21.	Washer 10.81 i.d. x 20.70d x 2mm Thk	088002400
22.	Universal Deck Lift Arm –Hiwin Actuator	307192400
23.	Actuator Insert Pin	183023500
24.	V25-50HE Chassis	327006300
25.	Engine Pulley Spacer	189520100
26.	V25-50HE Engine Pulley	32957200
27.	Full Nut Hex M8 Z/P	04822300
28.	M8 x 40mm Bolt	018003200
29.	A2050Electric Clutch	44815200
30.	M8 Washer	088003700
31.	Bolt 7/16” UNF x 5.5 UNF	01853800
32	Kawasaki 26HP FS730V Fuel Pump Bracket from serial no 10315	541124300
33	M8 Nyloc Nut	04920100
34	M5 Jack Nut	048001400
35	Engine Key ¼” Square x 1.1/4”	09853401
36	Engine Bolt 3/8” x 1.1/4” BZP	01848700
37	Bolt M8 x20mm	02825900
38	3/32 x ½” Split Pin	06861500

39	WW Bonnet LH Fixing Panel	148011700
	WW Bonnet RH Fixing Panel	148011800
40	WW Side Panel Retainer Bracket LH	301971501
	WW Side Panel Retainer Bracket RH	301971601
41	WW Bonnet Hinge Assembly	327807700
42	Spring	25805200
43	M5 x 25mm Button Head Bolt	018003700
44	Bonnet Pivot Boss	183529500
45	Bonnet Stop LH	301135802
	Bonnet Stop RH	301135902
46	Bonnet Trim	148015000
47	Engine Ring Seal	149549100
48	2050 Engine Pulley Cap	183016800
49	19mm x 19mm Self Adhesive Cable Tie Mount (Not illustrated)	528007400
50	Cable Tie T30L(Not illustrated)	52858400
51	Oil Drain Adaptor	183013902
52	Oil Drain Valve	52851200

MARCH 2011

SECTION 3

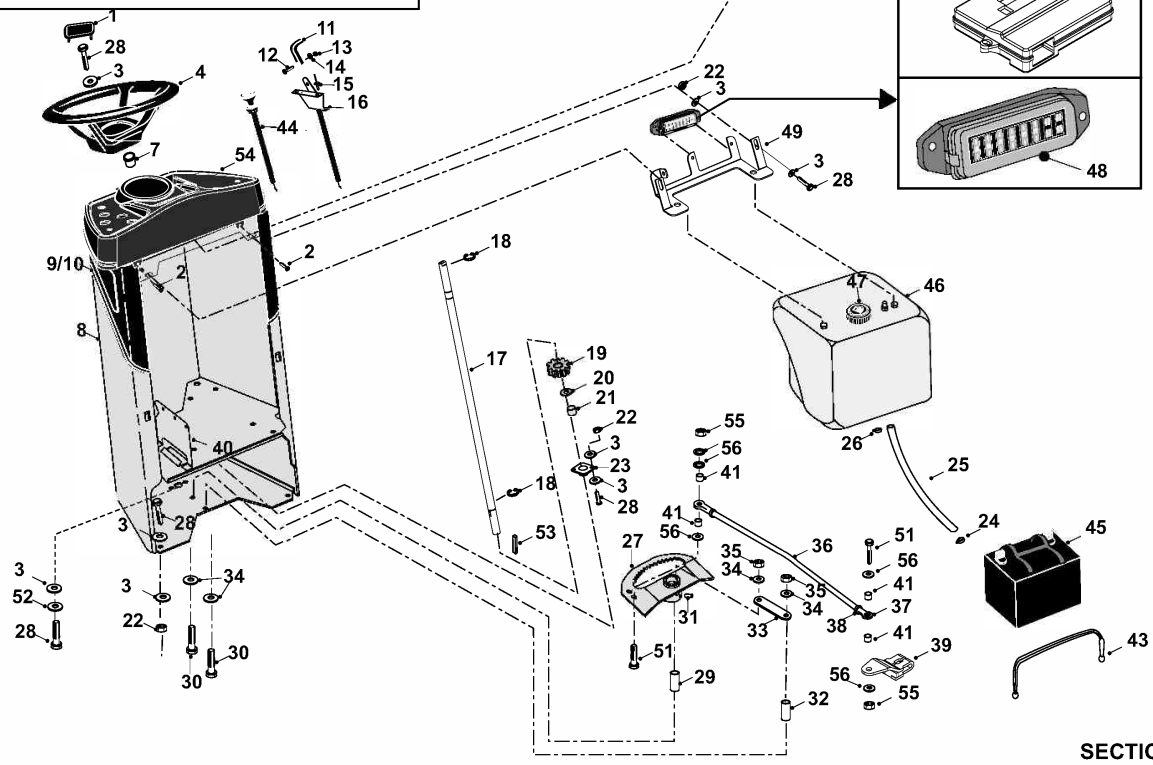
**V25-50HE TRACTOR
PEDAL ASSEMBLY**



V25-50HE TRACTOR
PEDAL ASSEMBLY

	PART DESCRIPTION	PART NUMBER
1	Pedal Cassette	409427400
2	Forward Pedal (part of 409427400)	32952200
3	Reverse Pedal	328958000
4	Forward Pedal Rubber Large	148013700
5	Reverse Pedal disc	183014800
6	Cassette / Chassis Spacer	187186200
7	M8 x 50mm Hex Head Bolt	018003500
8	Washer M8 x 21 x 1.6mm	088003700
9	M8 Nyloc Nut	04920100
10	M8 x 16mm M/Screw	028001000
11	Spacer	183011000
12	Bolt M8 x 25mm	02826000
13	Washer M8 x 25 x 3mm	089418600
14	Serrated Washer	088001700
15	Forward / Reverse Cassette Rod	327362701
16	Split Pin 1" x 1/8"	06823300
17	Cassette Reverse Spindle Welded	327361100
18	Cassette Chassis Spacer	187185600
19	Reverse Pedal Sticker`	148009700

**V25-50HE TRACTOR
CONSOL ASSY**



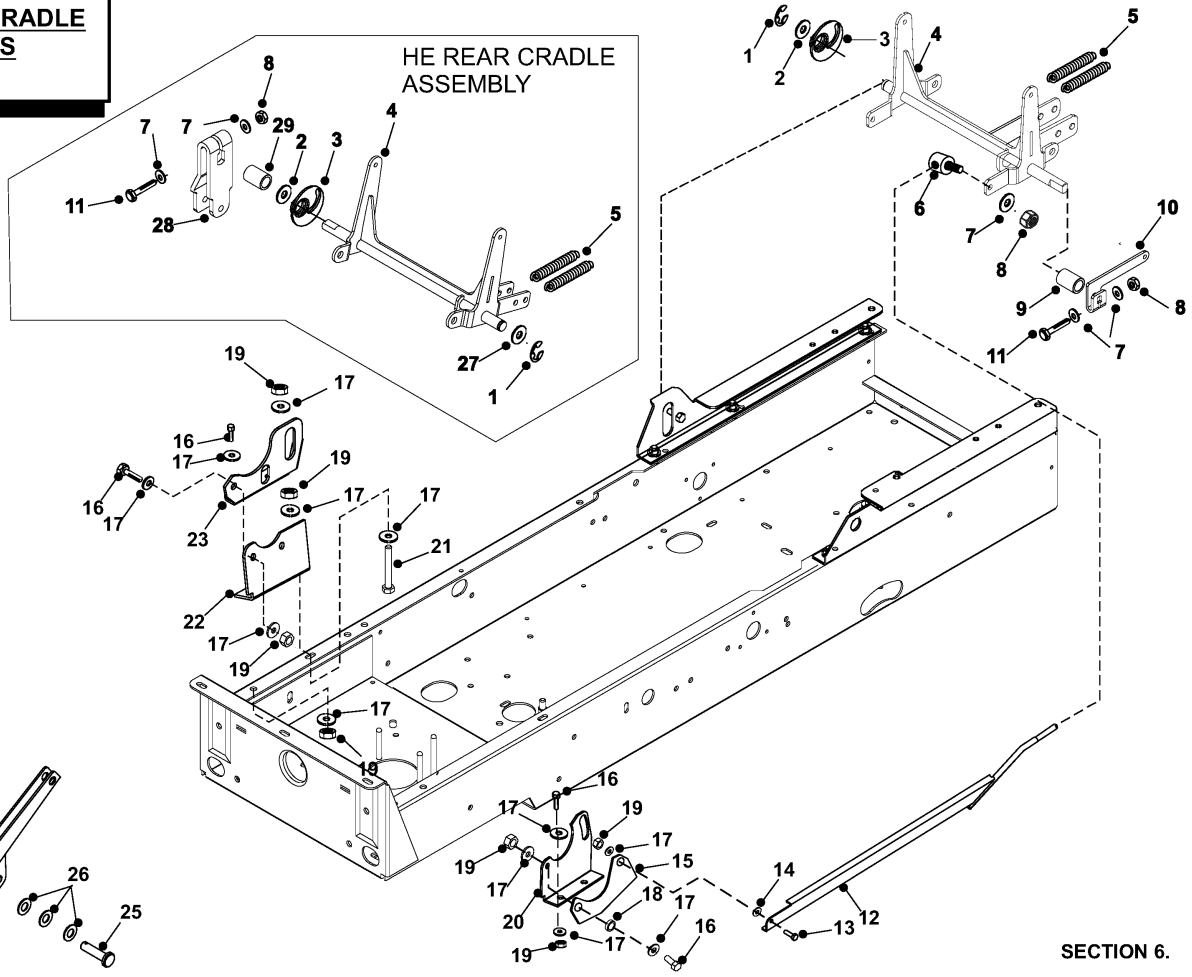
V25-50HE TRACTOR
CONSOL ASSEMBLY
PARTS LIST

	PART DESCRIPTION	PART NUMBER
1.	Steering Wheel Cap	14938700
2.	M5 x 16mm Pozi pan screw	019479500
3.	M8 Washer	088003700
4.	Steering Wheel	14928200
5.	M4 washer	08952500
6.	8 x 5/8" Pozi pan Steel Hilo Screw	029427000
7.	Column Upper Bush	14801800
8.	C Series Consol	327807101
9.	Rubber Knee Pad R/H	148986300
10.	Rubber Knee Pad L/H	148986200
11.	Control Knob	14810400
12.	Set Screw M4 x 12mm Pozi Pan Zinc Plated	02826300
13.	Nut M4 Nyloc T	04826400
14.	M4 Form A Washer BZP	08826200
15.	Rivet 4.8mm x 10mm	12824400
16.	Throttle Cable A25-50HEKawasaki	529471000
17.	Steering Column – C Series	31328401
18.	Circlip 5/8"	07823800
19.	Steering Gear	213112100
20.	Washer 5/8" T3 LP	08822700
21.	Steering Rod Spacer	18401500
22.	M8 Nyloc Nut	04850600
23.	Column Lower Bearing	10801700
24.	Spring Type Hose Clip	11867100
25.	Fuel Feed Pipe 40cm	14803200
26.	Jubilee Clip (Fuel Tank Hose)	11856900
27.	25-50 Steering Quadrant 17 Tooth	327015800
28.	Bolt M8 x20mm	02825900
29.	Steering Quadrant Pivot	31337400
30.	M10 x 65mm Hex Head Bolt BZP	018005300
31.	Grease Nipple 5/16"	11808600
32.	Steering Support Boss	31337500
33.	Steering Link Plate	27102400
34.	Washer 10.81 i.d. x 20.70 d x 2mm Thk	088002400
35.	M10 Nyloc Nut	04886100
36.	V25-50HE Steering Link Rod	318963700
37.	Rod End 12mm	108728000

V25-50HE TRACTOR
CONSOL ASSEMBLY
PARTS LIST

	PART DESCRIPTION	PART NUMBER
38.	M12 Locknut	049381200
39.	Steering Arm	327173401
40.	Relay Mounting Plate	301139801
41.	Steering Track Rod End Spacer	183016900
42.	2 Part PCB Board Case	149552000
43.	Battery Strap	149499500
44.	Choke Cable V25-50HE	529469800
45.	Battery 12v 3AH (Gel)	458141200
46.	Fuel Tank	14803000
47.	Fuel Tank Cap	52803100
48.	2002 Fuse Box Holder	301139400
49.	Fuel Tank & Fuse Holder Bracket	307205800
50.	Main PCB Current	448017005
51.	M12 x 60mm Bolt	019478800
52.	M8 Starlock washer	088003800
53.	Key	09823900
54.	Dashboard Consol Top	148986100
55.	M12 Nyloc Nut	049381100
56.	M12 Washer	088003600

**V25-50HE DECK CRADLE
ASSEMBLIES**



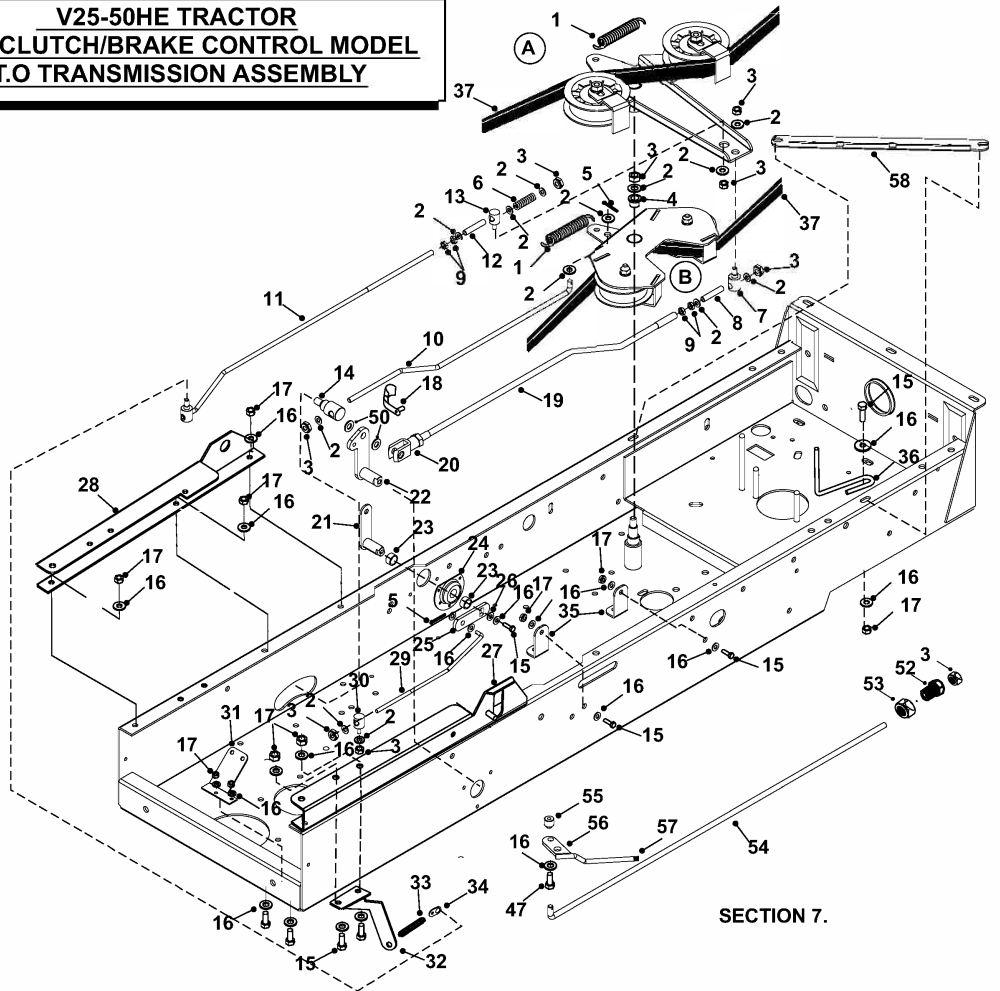
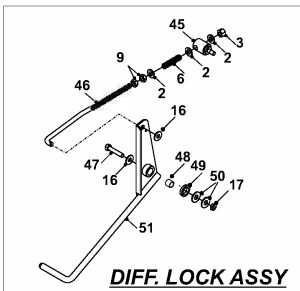
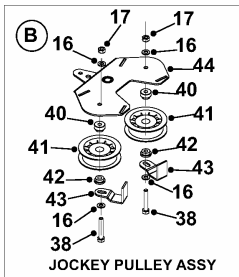
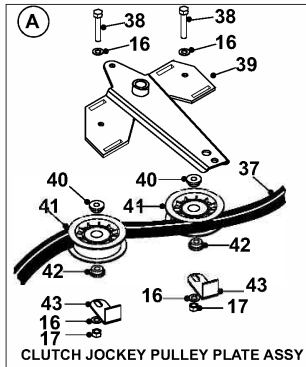
**V25-50HE DECK CRADLE ASSEMBLIES
PARTS LIST**

	PART DESCRIPTION	PART NUMBER
1	M12 E-Clip	07800800
2	3mm Washer	08942700
3	Rear Deck Level Cam	30117600
4	Rear Deck Cradle HE Rear Cradle Assembly	328968300 328958301
5	Deck Assist Spring	25885300
6	Deck Level Trunnion	189497900
7	M10 Washer	088002400
8	M10 Nyloc Nut	04886100
9	Sweeper Bag Ear Spacer	31323500
10	Manual Deck Lift Lower Linkage Arm	301965400
11	M10 x 55mm Bolt	018002400
12	Deck Level Bar	327007900
13	M8 x 20mm Mushroom Head Bolt	01886200
14	Bonnet Pivot Boss	31306103
15	Tractor Deck Adjustment Bracket	541109600
16	M8 x 20mm Bolt	02825900
17	M8 Washer	088003700
18	3.5mm Spacer	18303500
19	M8 Nyloc Nut	04920100
20	2050 RH Front Deck Level Bracket	301054000
21	M8 x 70mm Bolt	01850700
22	2050 LH Front Deck Level Bracket	301053900
23	2050 Deck Lever Bracket	301040001
24	Front Deck Cradle	32703700
25	Deck Lift Pin	31339400
26	M12 Washer	088003600
27	Washer 3/4" T3 LP	08823000
28	Universal Deck Lift Arm- Hiwin Actuator	307192400
29	????????????????	????????

MARCH 2011

SECTION6

**V25-50HE TRACTOR
HAND CLUTCH/BRAKE CONTROL MODEL
P.T.O TRANSMISSION ASSEMBLY**



V25-50HE TRACTOR PTO TRANSMISSION ASSEMBLY PARTS LIST

	PART DESCRIPTION	PART NUMBER
1	Spring Belt Tension	25849600
2	M10 Washer	088002400
3	M10 Nyloc Nut	04886100
4	2.36 Shoulder Boss	18341000
5	Split Pin 1/8" x 1"	06823300
6	Brake Rod Spring	259405100
7	Park Brake Engage Rod Trunnion	187186100
8	Park Brake Sleeve	174008900
9	M10 Half Nut	04872100
10	PTO Engage Rod	313010800
11	Brake Rod Assembly	327022302
12	Brake Rod Sleeve	183019100
13	2050 Jockey Plate Trunnion	183019000
14	PTO Engage Rod Trunnion	18318000
15	M8 x 25mm Bolt	02826000
16	M8 Washer	088003700
17	M8 Nyloc Nut	04920100
18	Clevis Pin	108000500
19	Clutch Link Rod	318963801
20	Clevis Clip	108000600
21	Brake Link Bracket	327022200
22	Handbrake Bearing Link Shaft	328957000
23	Universal Pedal Cassette Spacer	183011000
24	Pedal Cassette housing	301048100
25	Forward Reverse Link Plate	307197700
26	M8 x 25 x 3mm Plated Washer	08819800
27	2050 LH Transaxle Mounting Bracket	327009300
28	2050 RH Transaxle Mounting Bracket	301041700
29	Forward Reverse Rod	313022002
30	Forward Reverse Trunnion	187186500
31	A, V, D Deck Spring Bracket	307198601
32	Spring Plate	301119600
33	Safety Switch Spring	25813801
34	Spring Lug	301122000
35	Dump Valve Bracket	303071400
36	Transmission Front Belt Guide	313006200
37	A91 Belt	228001500
38	M8 x 50mm Bolt	018001800
39	Handbrake 2050 Jockey Plate	321122300
40	Sweeper Jockey Cap Boss	31351100
41	Jockey Pulley	20811500
42	Jockey Pulley Spacer	18831600
43	Belt Keeper	307187100
44	2050 Jockey Pulley Plate Assembly	327363000
45	Diff Lock Pedal Trunnion	183020200
46	Diff Lock Control Rod	313010400
47	M8 x 45mm Bolt	02941000

48	Oilite Bush	52936700
49	PTO End Spacer	31306200
50	Washer m10 x 24 x 2	088004500
51	Pedal Plate	321122200
52	Deck Adjuster Nut	189507400
53	M16 Half Nut	049382500
54	Deck tension Rod	313513701
55	Deck Height Pivot boss	18317400
56	Deck Tension Lever A2050	321122800
57	Plastic Lever Cap	14946200
58	2050 Clutch Bar	302005101
MARCH 2011		SECTION 07

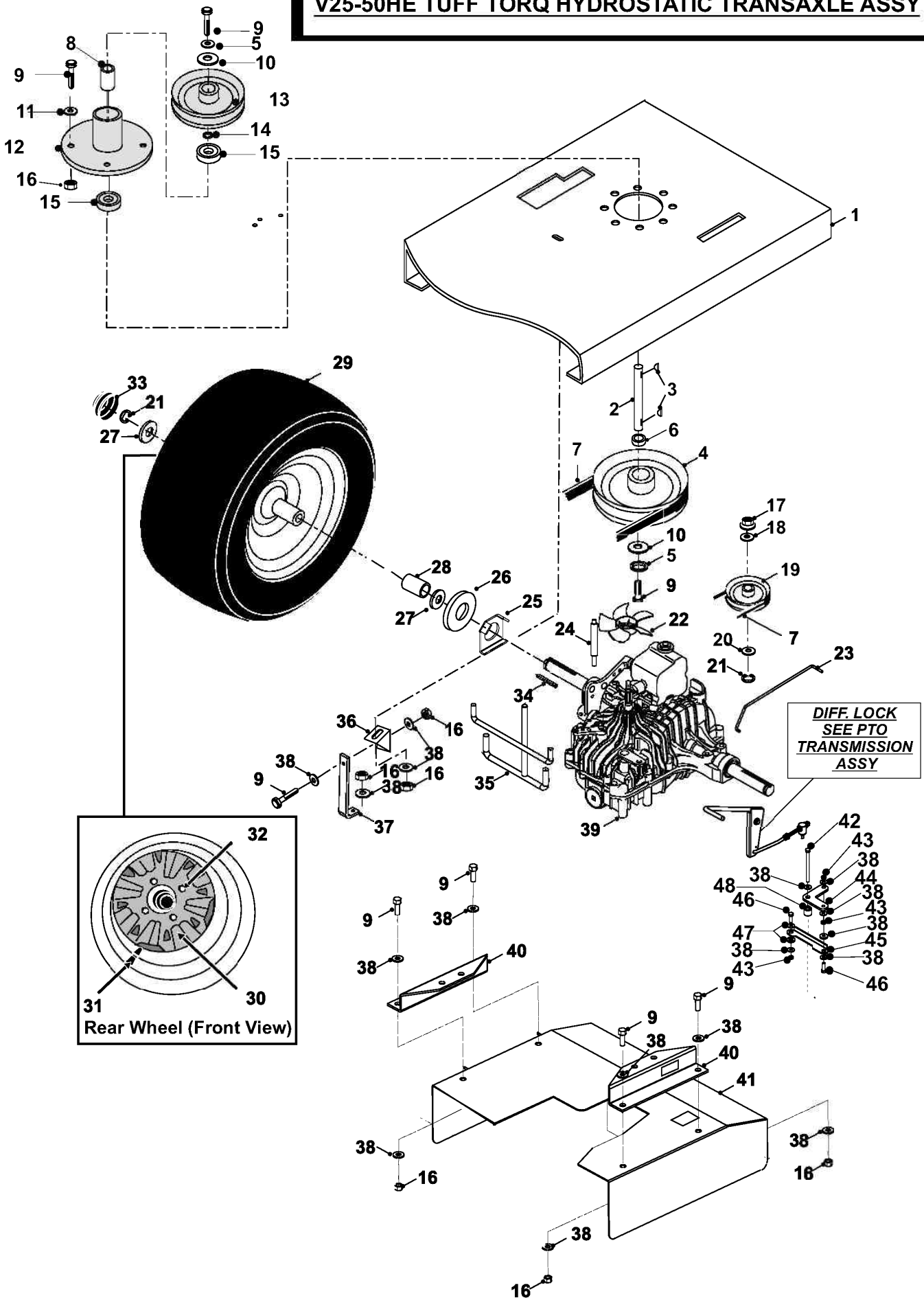
V25-50HE TRACTOR
HANDBRAKE ASSEMBLY
PART LIST

	PART DESCRIPTION	PART NUMBER
1	Handbrake Block	148014000
2	Deck Lift Pin	31339400
3	Washer M12 x 24 x 1.6mm	088003600
4	Split Pin 1" x 1/8"	06823300
5	Spring – Hand Brake Block Torsion	258000600
6	Handbrake Nylon Bush	149498000
7	M8 x 50 Hex Head Bolt BZP	018003500
8	M8 x 8mm Rod End RH Thread Female	10896200
9	Full Nut Hex M8 Z/P	04822300
10	Handbrake Handle Lever Plate Welded Assembly	321124301
11	Pivot	18321000
12	Handbrake Lever Linkage Rod	313006600
13	M8 Nyloc Nut	04920100
14	Deck Float Plate Spacer	18303500
15	M8 x 35mm Bolt	01935100
16	Handbrake Handle	149557300
17	Hand Brake Outer Conrod Connection Plate	307196000
18	Tractor Pedal Cassette Bearing Housing	301048100
19	Bearing	10811600
20	Link Shaft	328957000
21	Handbrake Handle Badge	359505100
22	Bolt M8 x 25mm	02826000
23	M4 x 20mm Screw	02941100
24	Brake Switch Bracket	301151300
25	Position Sensor Switch	449666602
26	M4 Washer	08952500
27	Shaft Spacer	31330002
28	PTO End Shaft Spacer	31306200
29	M4 Nyloc Nut	04826400

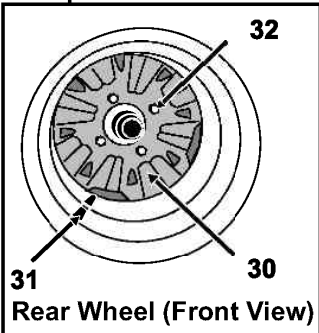
MARCH 2011

SECTION 08

V25-50HE TUFF TORQ HYDROSTATIC TRANSAXLE ASSY



**DIFF. LOCK
SEE PTO
TRANSMISSION
ASSY**



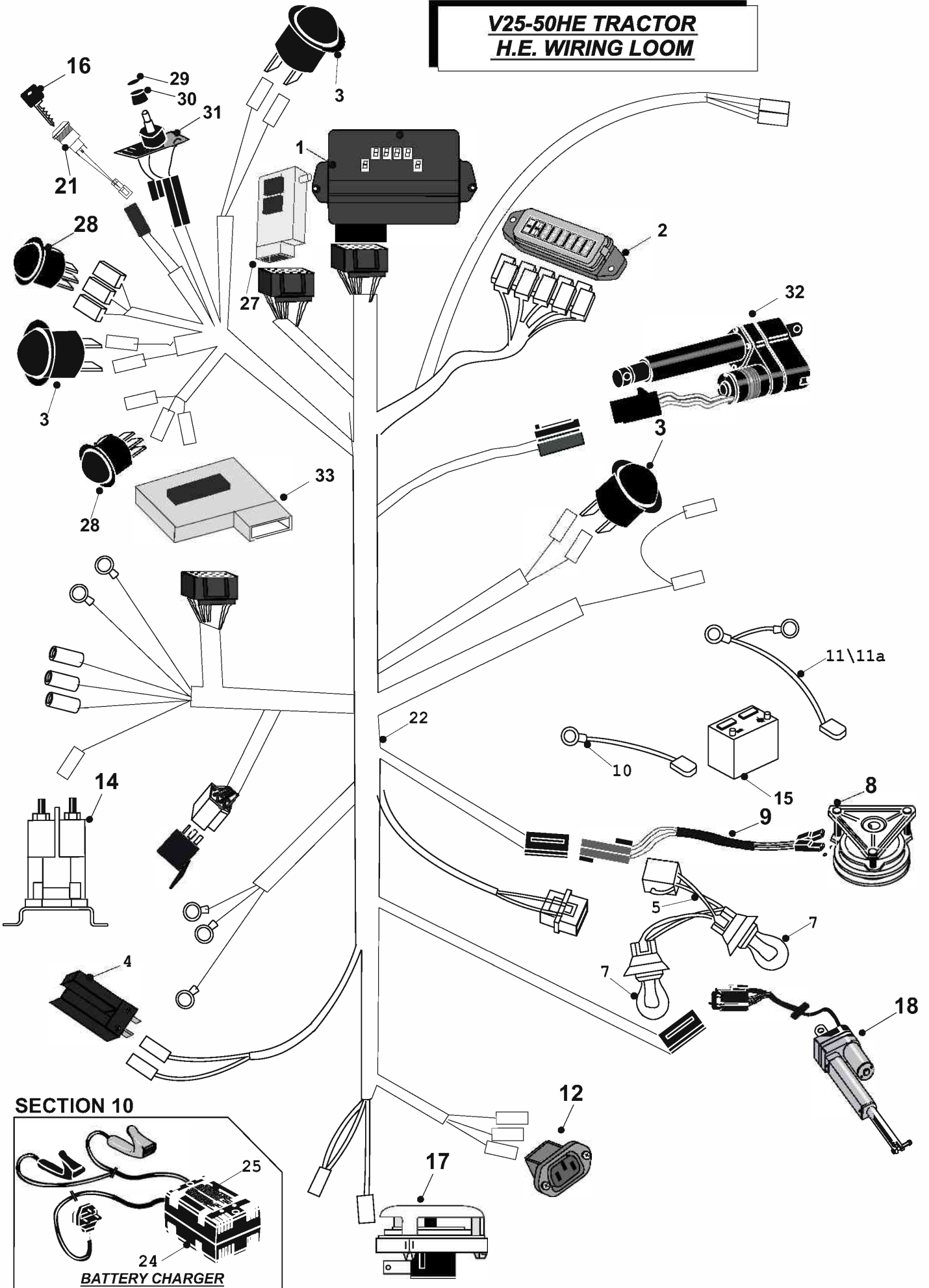
V25-50HE TUFF TORQ HYDROSTATIC PARTS LIST

	PART DESCRIPTION	PART NUMBER
1	25-50HE Chassis	327006300
2	PTO Shaft	32306000
3	Key Woodruff	09823900
4	7" Pulley	20870700
5	M8 Star Washer	088003800
6	PTO End Spacer	31306200
7	A91 Belt	228001500
8	PTO Centre Spacer	31334800
9	M8 x 20mm Bolt	02825900
10	M8 x 25 x 3mm Washer	08819800
11	M8 Washer	08819501
12	PTO Bearing Housing	32700300
13	PTO Pulley 5"	208000600
14	M16 Washer	088002600
15	Bearing	10811600
16	M8 Nyloc Nut	04920100
17	M10 Flange Nyloc Nut	049381600
18	2050 Transaxle Fan Washer	089418800
19	2050 Hydrostatic Box Pulley	20904400
20	M10 Washer	088002400
21	Circlip	078000500
22	K62 Plastic Fan	148008000
23	2050 Dump Valve	313010600
24	2050 Transaxle Steady Rod	313019100
25	Transaxle Thrust Washer	307191901
26	Washer Transaxle	089423500
27	Washer Galvanised 46 x 26mm	089419000
28	2050 Wheel Spacer	183018501
29	2050 Rear Tyre	198000400
30	2050 Rear Wheel Rim	198000500
31	Wheel Valve	14889200
32	1" Keyway Hub	198001300
33	Hub Cap Moulded	14811800
34	Key Rear Wheel	09830700
35	Double belt Guide	327021800
36	Torque Bracket	30137700
37	RH Transaxle Support Bar	292003500
38	M8 Washer	088003700
39	K62 Transmission	478000400
40	Transaxle Grass Deflector Bracket	301119500
41	Transaxle Deflector	301119701
42	Bolt 110mm x M8	019478400
43	M8 Full Nut	04822300
44	Diff Lock Pedal Link Crank	301119200
45	Diff Lock Link	301119300
46	Bolt M8 X 25mm	02826000
47	PTO Plate Spacer	31305100
48	Deck Overlock Pivot	18833702

MARCH 2011

SECTION9

**V25-50HE TRACTOR
H.E. WIRING LOOM**



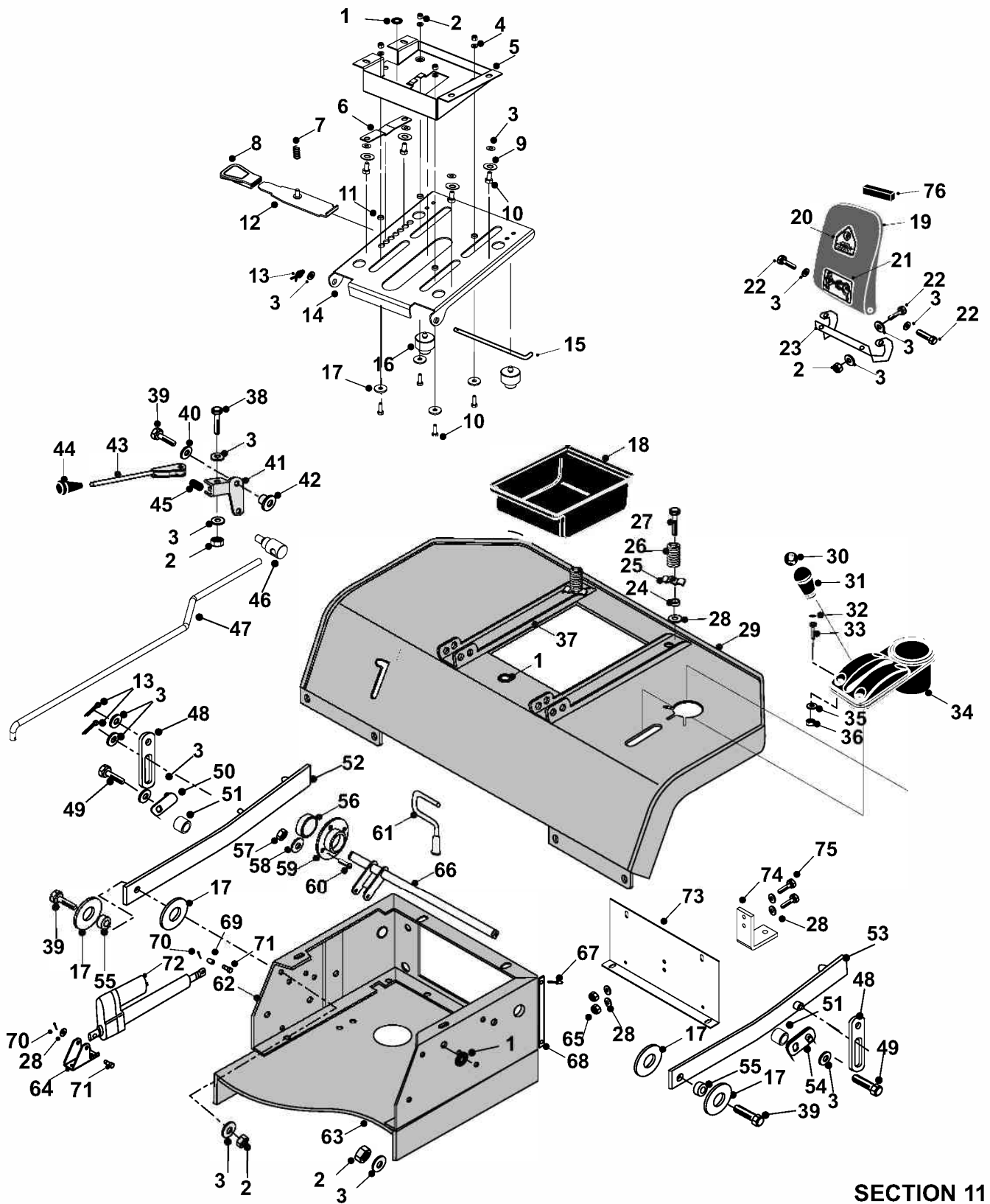
V25-50HE TRACTOR
H.E. WIRING LOOM PARTS LIST

	PART DESCRIPTION	PART NUMBER
1	Main PCB Board – current	448017005
2	2002 Fuse Box Holder	301139400
3	2 Pin Momentary Switch	448008700
4	Position sensor Switch	449666600
5	Headlight Loom	448010400
6	Tie Wrap Mount (not illustrated)	52816800
7	Bulb Hella 21W	448008500
8	Electric Clutch Magstop 2050	44815200
9	Clutch Loom Magstop	44946800
10	Lead Battery to Solenoid (C300H, C300M, C400H & C600H)	44812602
11	Earth Lead (short)	449662800
11a	Earth Lead (Long)	449662900
12	PGC Net Emptying Loom used on C series	448004300
13	Tie Wrap Adhesive (not Illustrated)	52816700
14	Starter Solenoid C300M only	44814801
15	Battery 12V (Dry Charged)	458141200
16	Ignition Key	529471700
17	Seat Switch	44949500
18	Deck Lift Actuator (only used for electric deck lift)	449664100
19	10A Amp Fuse (not illustrated)	44889500
20	Fuse Spade 20A (not illustrated)	44835000
21	Ignition Switch	449683300
22	C Series H.E.wiring loom	449872700
23	Tie Wrap (not Illustrated)	52825400
24	Battery Charger	449562800
25	Battery Charger Decal	359509300
26	Battery Charger Instructions (not illustrated)	36919400
27	Dial Height Board (only used for electric deck lift)	448017104
28	3 pin On/Off/On Switch (only used for electric deck lift)	449665600
29	31mm Collet Knob Cap (only used for electric deck lift)	148011001
30	31mm Collet Knob (only used for electric deck lift)	148010601
31	Dial Height PCB Metal Switch (only used for electric deck lift)	449561501
32	Actuator Warner LA10 serial no:from 00718 to current	448005800
33	H.E. Board	448017200
34	Net Tipping Kit not illustrated	AP010A

MARCH 2011

SECTION 10

V25-50HE TRACTOR HE REAR BODY ASSEMBLY



V25-50HE TRACTOR REAR BODY ASSEMBLY PARTS LIST

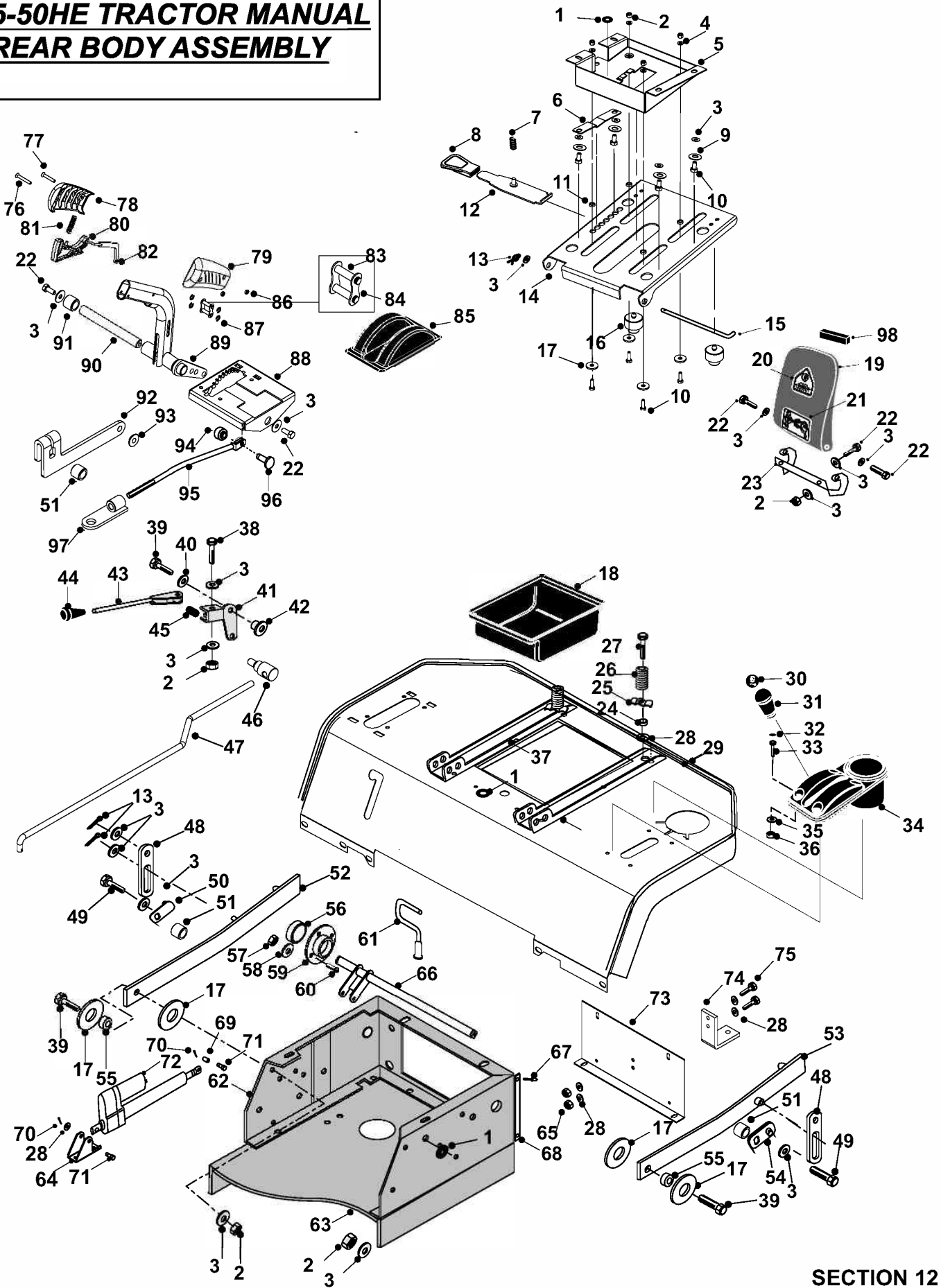
	PART DESCRIPTION	PART NUMBER
1.	16mm Grommet	52849700
2.	M8 Nyloc Nut	04920100
3.	M8 x 20mm Washer	088003700
4.	M8 x 13mm Washer	089423300
5.	Seat Base Plate	301985401
6.	Seat Spring Retainer Plate	301985700
7.	Seat Mechanism Spring	25831100
8.	Seat Mechanism Handle	149551800
9.	Shake Proff Washer	088003800
10.	M8 x 16mm Bolt	028001000
11.	Seat Spacer	183856700
12.	Seat Release Mechanism Lever	325000601
13.	R Clip 2mm	06849100
14.	Seat Running Plate	301985503
15.	Seat Pivot Rod	31301800
16.	Rubber Seat Spring Retainer	149551900
17.	M8 x 40 x 3mm Heavy gauge Washer	08925400
18.	Tool Tray	14848500
19.	PTO Flap Shell (H.E.)	149496300
20.	PTO Danger Decal	35809500
21.	Decal PTO Flap	35891200
22.	M8 x 20mm Bolt	02825900
23.	PTO Flap Hinge	302005200
24.	Spacer (Seat Spring)	31330800
25.	Spring Retaining Washer (seat)	27835400
26.	Adjustable Seat Spring	25858100
27.	M10 x 40 Socket Cap Screw Zinc Plated	028003400
28.	M10 Washer	088002400
29.	Rear Body HE	328954600
30.	Handbrake Handle Badge 2002	359505100
31.	C Series Handbrake Handle Knob	149557300
32.	M6 Socket Screw Cap	148014300
33.	Screw M6 x 20mm	018000300
34.	Handbrake Cup Holder	148013900
35.	M6 Washer	089422200
36.	M6 Nyloc Nut	04920500
37.	Seat Attachment Channel	301985800
38.	M8 x 40mm Bolt	018003200
39.	Bolt M8 x 45mm (Vac)	02941000

MARCH 2011**SECTION 11**

V25-50HE TRACTOR REAR BODY ASSEMBLY PARTS LIST

	PART DESCRIPTION	PART NUMBER
40.	M8 x 25 x 3mm Washer	08819800
41.	PTO lever Plate	30134500
42.	Joggle Plate Boss	183027400
43.	PTO Engage Lever	32708702
44.	Lever Knob	14804800
45.	Spring	25831100
46.	PTO Engage Trunnion	18318000
47.	PTO Engage Rod	313010800
48.	HE Sweeper Lift Plate	30133500
49.	M8 x 25mm Bolt	02826000
50.	HE Sweeper Lift RH	327171600
51.	Sweeper Lift Bar Spacer	31323500
52.	HE Sweeper Lift Arm RH	32720300
53.	HE Sweeper Lift Arm LH	32721100
54.	HE Sweeper Lift LH	327171700
55.	Spacer 9 x 8.3mm I.D.	31302700
56.	Bearing	10811600
57.	M5 Nyloc Nut	14885900
58.	M5 Washer	088002800
59.	Bearing Housing	27106600
60.	M5 x 15mm Screw	019479500
61.	Sweeper Belt Guide Pin	327012700
62.	Rear Seat Box	327010401
63.	Chassis A2550	327006300
64.	Actuator Mounting Bracket	302005600
65.	M10 Nyloc Nut	04886100
66.	Cross Shaft Deck Lift	327009400
67.	Pop Rivet Large Head 4.8 x 10 x 14mm	128000100
68.	Stainless Steel wear Strip	301140300
69.	Actuator Insert Pin	183023500
70.	1/8" x 1/2" Split Pin	06855200
71.	10mm Actuator Pin	189504800
72.	Deck Actuator	448002800
73.	2050 Rear Chassis Panel	301041600
74.	Tow Bracket	29200100
75.	M10 x 30mm Bolt	02886000
76.	PTO Foam Strip	148012200

V25-50HE TRACTOR MANUAL REAR BODY ASSEMBLY



V25-50HE TRACTOR REAR BODY ASSEMBLY PARTS LIST

	PART DESCRIPTION	PART NUMBER
1.	16mm Grommet	52849700
2.	M8 Nyloc Nut	04920100
3.	M8 x 20mm Washer	088003700
4.	M8 x 13mm Washer	089423300
5.	Seat Base Plate	301985401
6.	Seat Spring Retainer Plate	301985700
7.	Seat Mechanism Spring	25831100
8.	Seat Mechanism Handle	149551800
9.	Shake Proff Washer	088003800
10.	M8 x 16mm Bolt	028001000
11.	Seat Spacer	183856700
12.	Seat Release Mechanism Lever	325000601
13.	R Clip 2mm	06849100
14.	Seat Running Plate	301985503
15.	Seat Pivot Rod	31301800
16.	Rubber Seat Spring Retainer	149551900
17.	M8 x 40 x 3mm Heavy gauge Washer	08925400
18.	Tool Tray	14848500
19.	PTO Flap Shell (H.E.)	149496300
20.	PTO Danger Decal	35809500
21.	Decal PTO Flap	35891200
22.	M8 x 20mm Bolt	02825900
23.	PTO Flap Hinge	302005200
24.	Spacer (Seat Spring)	31330800
25.	Spring Retaining Washer (seat)	27835400
26.	Adjustable Seat Spring	25858100
27.	M10 x 40 Socket Cap Screw Zinc Plated	028003400
28.	M10 Washer	088002400
29.	Rear Body Manual	327809500
30.	Handbrake Handle Badge 2002	359505100
31.	C Series Handbrake Handle Knob	149557300
32.	M6 Socket Screw Cap	148014300
33.	Screw M6 x 20mm	018000300
34.	Handbrake Cup Holder	148013900
35.	M6 Washer	089422200
36.	M6 Nyloc Nut	04920500
37.	Seat Attachment Channel	301985800
38.	M8 x 40mm Bolt	018003200
39.	Bolt M8 x 45mm (Vac)	02941000

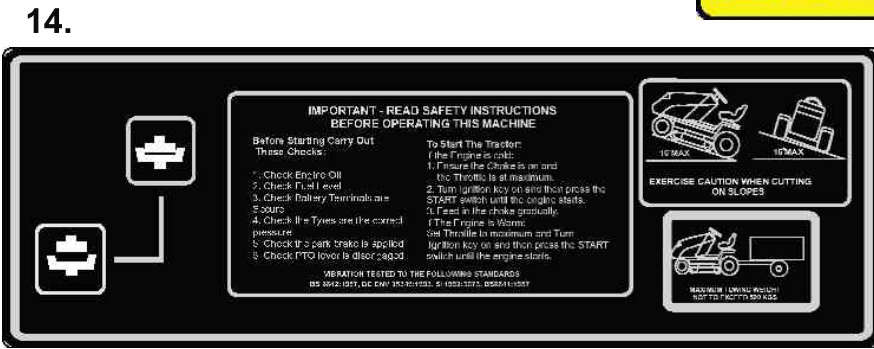
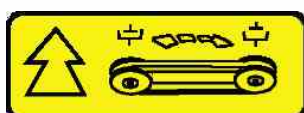
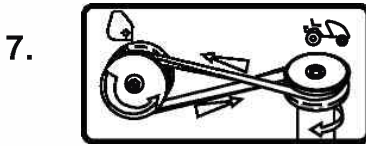
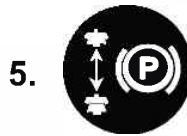
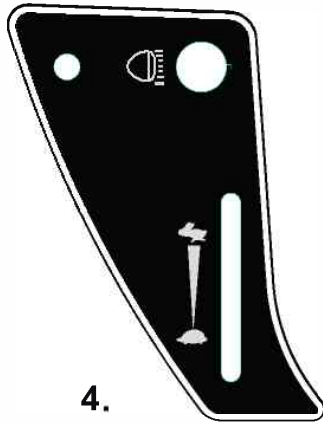
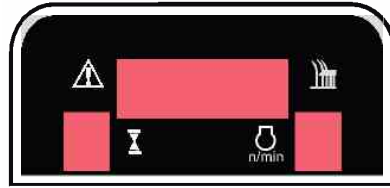
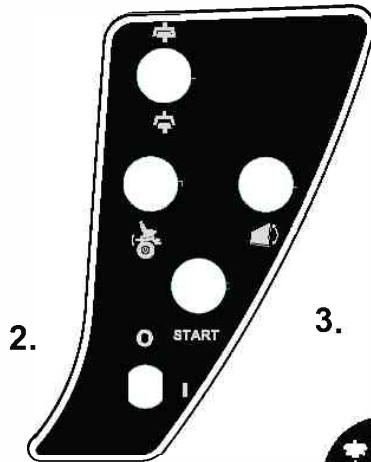
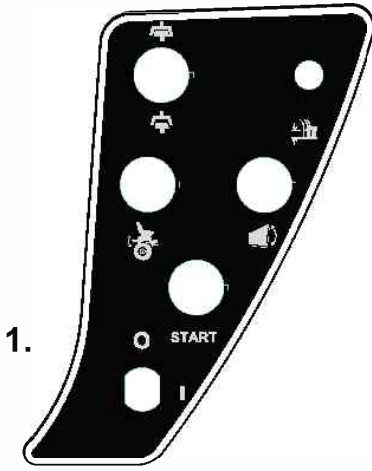
MARCH 2011**SECTION 12**

V25-50HE TRACTOR REAR BODY ASSEMBLY PARTS LIST

	PART DESCRIPTION	PART NUMBER
40.	M8 x 25 x 3mm Washer	08819800
41.	PTO lever Plate	30134500
42.	Joggle Plate Boss	183027400
43.	PTO Engage Lever	32708702
44.	Lever Knob	14804800
45.	Spring	25831100
46.	PTO Engage Trunnion	18318000
47.	PTO Engage Rod	313010800
48.	HE Sweeper Lift Plate	30133500
49.	M8 x 25mm Bolt	02826000
50.	HE Sweeper Lift RH	327171600
51.	Sweeper Lift Bar Spacer	31323500
52.	HE Sweeper Lift Arm RH	32720300
53.	HE Sweeper Lift Arm LH	32721100
54.	HE Sweeper Lift LH	327171700
55.	Spacer 9 x 8.3mm I.D.	31302700
56.	Bearing	10811600
57.	M5 Nyloc Nut	14885900
58.	M5 Washer	088002800
59.	Bearing Housing	27106600
60.	M5 x 15mm Screw	019479500
61.	Sweeper Belt Guide Pin	327012700
62.	Rear Seat Box	327010401
63.	Chassis A2550	327006300
64.	Actuator Mounting Bracket	302005600
65.	M10 Nyloc Nut	04886100
66.	Cross Shaft Deck Lift	327009400
67.	Pop Rivet 4.8 x 10 x 14mm	128000100
68.	Stainless Steel wear Strip	301140300
69.	Actuator Insert Pin	183023500
70.	1/8" x 1/2" Split Pin	06855200
71.	10mm Actuator Pin	189504800
72.	Deck Actuator	448002800
73.	2050 Rear Chassis Panel	301041600
74.	Tow Bracket	29200100
75.	M10 x 30mm Bolt	02886000
76.	M5 x 35mm Countersunk Screw	029425000
77.	M5 x 30mm Countersunk Screw	028004000
78.	Manual Deck Lift RH Handle Grip	149550400
79.	Manual deck Lift LH Handle Grip	149550500
80.	Manual deck Lift Handle Trigger	149550601
81.	Manual Deck Lift Handle spring	259405900
82.	Manual Deck lift Trigger Rod Weld Assembly	327878100
83.	Manual Deck Lift Link Slide Plate	301965300
84.	Manual Deck lift Link slide Pin	183528801
85.	Manual Deck Lift RH Rear Body Cover	149550700
86.	M5 Nut black	048001800
87.	4mm E Clip	07986100

88	Manual Deck Lift Carry Plate Welded Assembly	327805900
89	Manual Deck lift Handle Welded Assembly	327805801
90	Manual Deck Lift Cross Shaft	183528600
91	2050 Diesel PTO Spacer	183013800
92	Manual Deck Lift Linkage arm	301965400
93	C Series Deck Lift Pivot Spacer	183529500
94	Sweeper Ball Joint Spacer	183025600
95	Manual Deck Lift Yoke Weld Assembly C Series	328968400
96	X Series Deck Clevis Pin	313513100
97	Adjuster Rod Plate welded Assembly	327806100
98	PTO Foam Strip	148012200

V25-50HE TRACTOR DECALS



15. **V25-50HE**



V25-50HE TRACTOR
DECALS
PARTS LIST

	PART DESCRIPTION	PART NUMBER
1.	C Series RH Dash Standard Decal	359522801
2.	C Series RH No Dial Height Decal	359522701
3.	C Series Display Decal	359523101
4.	C Series LH Dash Decal Throttle	359522601
5.	Handbrake Handle Badge	359505100
6.	Sweeper height Decal	35937601
7.	Sweeper Belt Decal	35891200
8.	Decal W Badge	359525200
9.	PTO Danger Decal	35809500
10.	105 db Decal	359497101
11.	Badge Westwood Silver	359525100
12.	Belt Release Decal	35914600
13.	Rider Deck Danger Decal	35803300
14.	V25-50HE Rear Body Instruction Decal	359550600
15.	V25-50HE Rear Body Decal	359550200
16.	Powered by Kawasaki Rectangle Decal	359538600

NOVEMBER 2011

SECTION 13