

# COUNTAX



## COUNTAX RIDER SERVICE DRAWINGS & PARTS LISTS

### **Countax Limited**

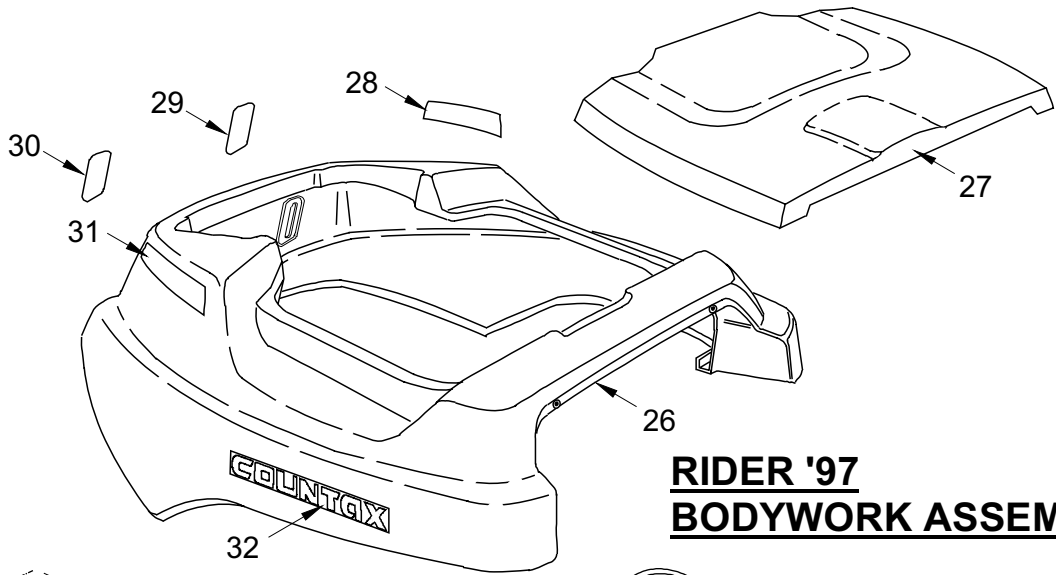
Countax House  
Haseley Trading Estate  
Great Haseley  
Oxford OX44 7PF

Telephone: +44 (0) 1844 278 097  
Facsimile: +44 (0) 1844 278792  
EMail: [email@countax.com](mailto:email@countax.com)  
Web Site: <http://www.countax.com>

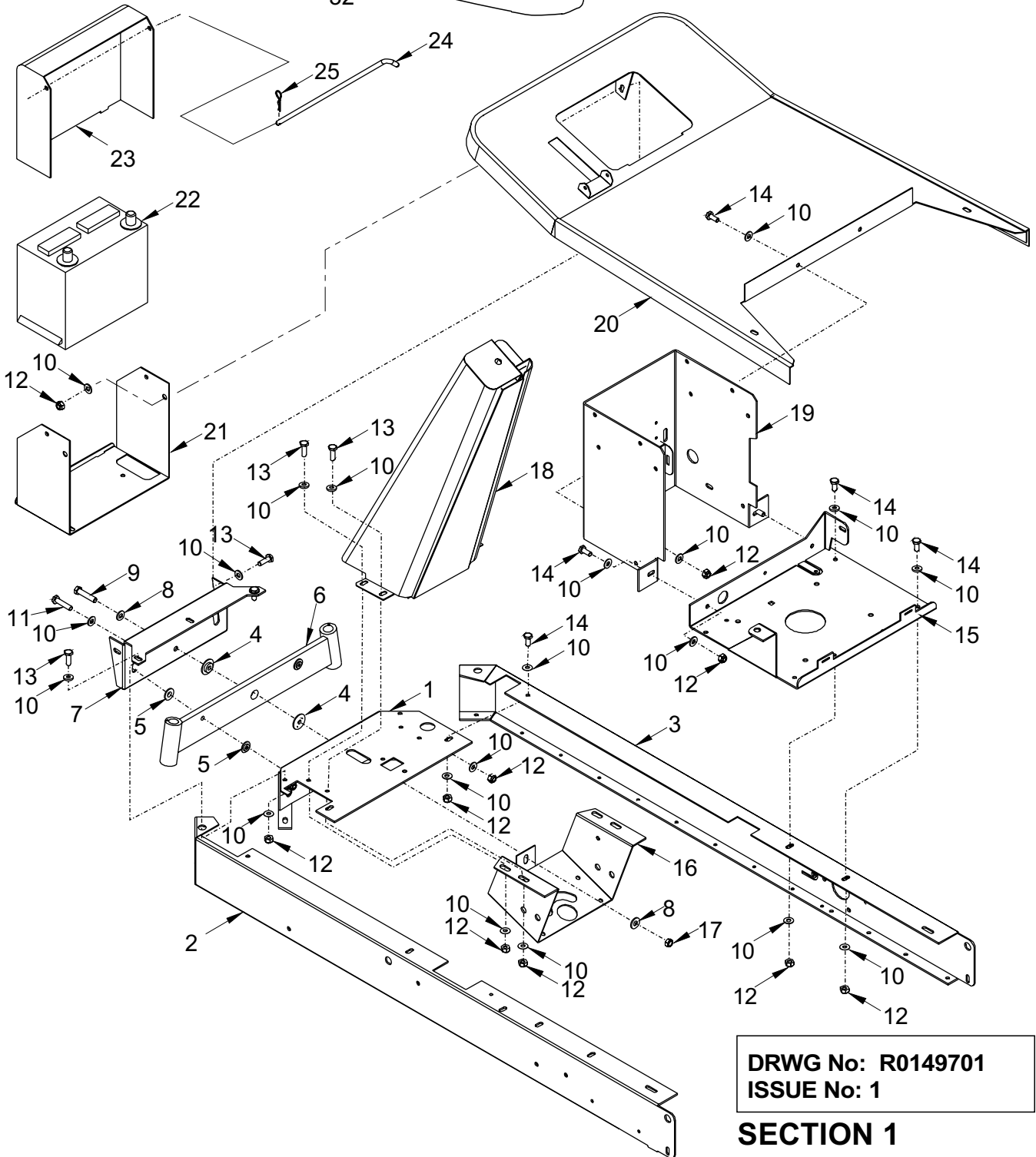
*Manufacturers of Britain's  
No.1 Range of Garden Tractors  
and Ride-on Mowers*

**RIDER**  
**SECTION INDEX**

<b>DESCRIPTION</b>	<b>SECTION NUMBER</b>
<b>Body Assembly</b>	<b>1</b>
<b>Foot Controls Body &amp; Consol Assembly</b>	<b>1A</b>
<b>Steering Console Assembly</b>	<b>2</b>
<b>Seat Assembly</b>	<b>3</b>
<b>Gear Lever/Brake/Sweeper Lift Assembly</b>	<b>4</b>
<b>Manual Transaxle Assembly</b>	<b>5</b>
<b>Hydro Transaxle Assembly</b>	<b>6</b>
<b>Engine &amp; Exhaust Assembly</b>	<b>7</b>
<b>Wiring Loom</b>	<b>8</b>
<b>Honda /Tecumseh Wiring Loom</b>	<b>8A</b>
<b>Cutter Deck Assembly</b>	<b>9</b>
<b>Mulcher Deck Assembly</b>	<b>9A</b>
<b>Powered Grass Collector Assembly</b>	<b>10</b>
<b>Powered Grass Collector Net Assembly</b>	<b>11</b>



**RIDER '97  
BODYWORK ASSEMBLY**



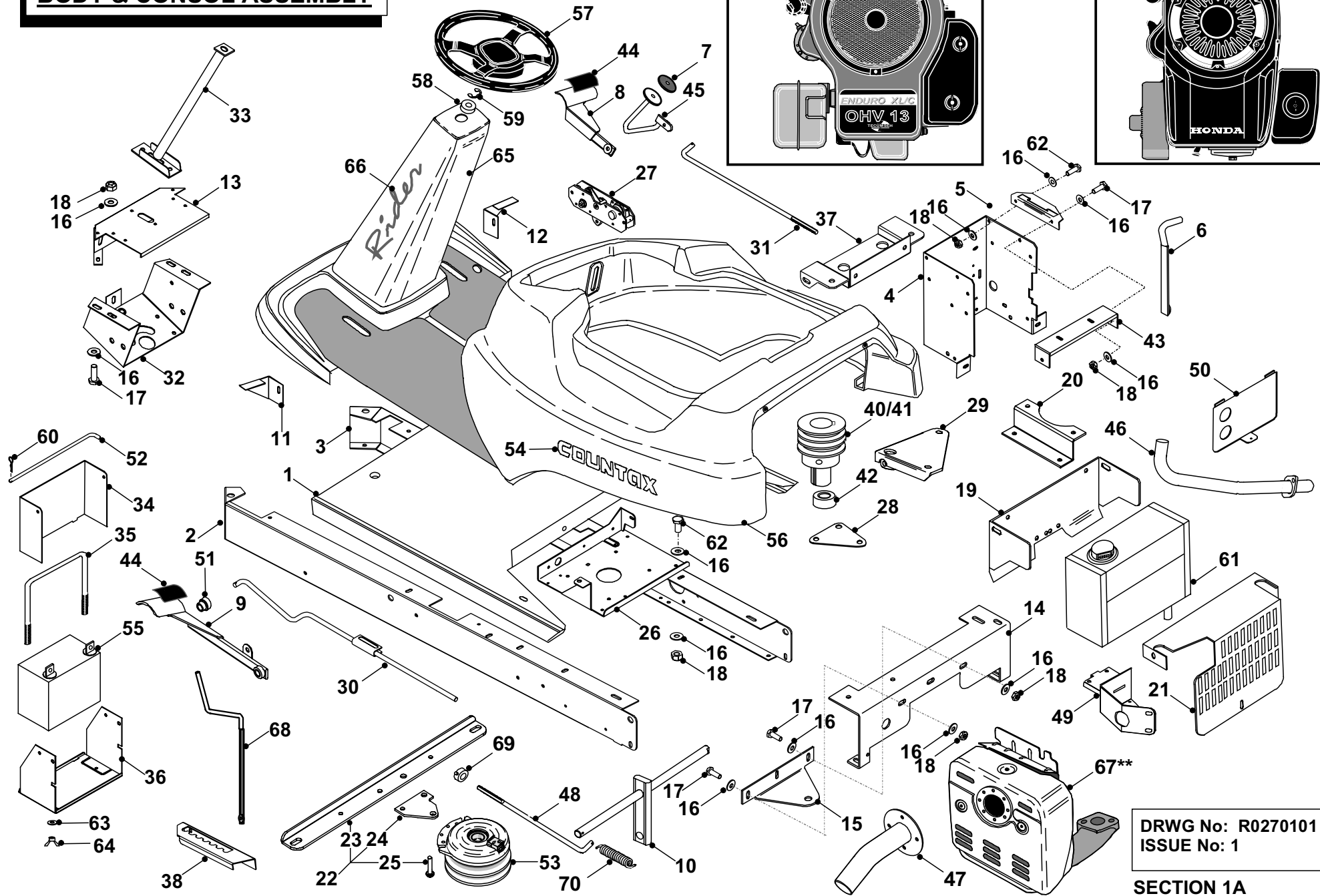
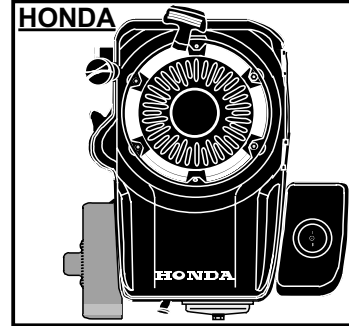
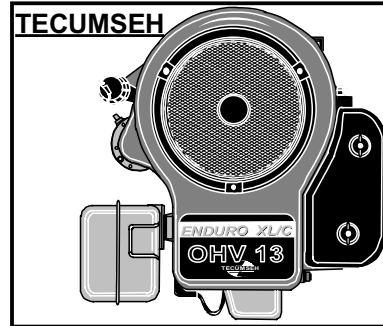
**DRWG No: R0149701  
ISSUE No: 1**

**SECTION 1**

**RIDER '97  
BODYWORK ASSEMBLY  
PARTS LIST**

	<b>PART DESCRIPTION</b>	<b>PART NUMBER</b>
1	Console Mounting Plate	301010600
2	Chassis Beam L / H	301010500
3	Chassis Beam R / H	301010400
4	Front Axle Pivot	18310700
5	Pivot Boss	31306100
6	Axle Beam Assembly	32716900
7	Axle Plate	301010200
8	Washer 3/8"	08820100
9	Bolt 3/8" UNF x 1 3/4"	01820400
10	Washer 5/6" T4	08819700
11	Bolt 5/16" UNF x 1 1/2"	01820700
12	Nyloc Nut 5/16" UNF	04827500
13	Set Screw 5/16" x 1"	02819600
14	Set Screw 5/16" x 3/4	02827600
15	Engine Mounting Plate	301010800
16	Steering Box	301011100
17	Nyloc Nut 3/8" UNF	04820200
18	Console Assembly	327003600
19	Seat Box Assembly	327003400
20	Floor Panel Assembly	327003500
21	Battery Tray	301007300
22	Battery	45814100
23	Battery Cover	30140100
24	Battery Rod	31323600
25	2mm R-Clip	07823700
26	Body Moulding	148000900
27	Engine Cover	148001100
28	Decal - Gear Change (Hydro)	35946100
29	Decal - Throttle Control	35900800
30	Decal - Park Brake	35946000
31	Decal - Cutter Height	35945700
32	Countax Badge	35932500

**RIDER FOOT CONTROLS  
BODY & CONSOL ASSEMBLY**



DRWG No: R0270101  
ISSUE No: 1

SECTION 1A

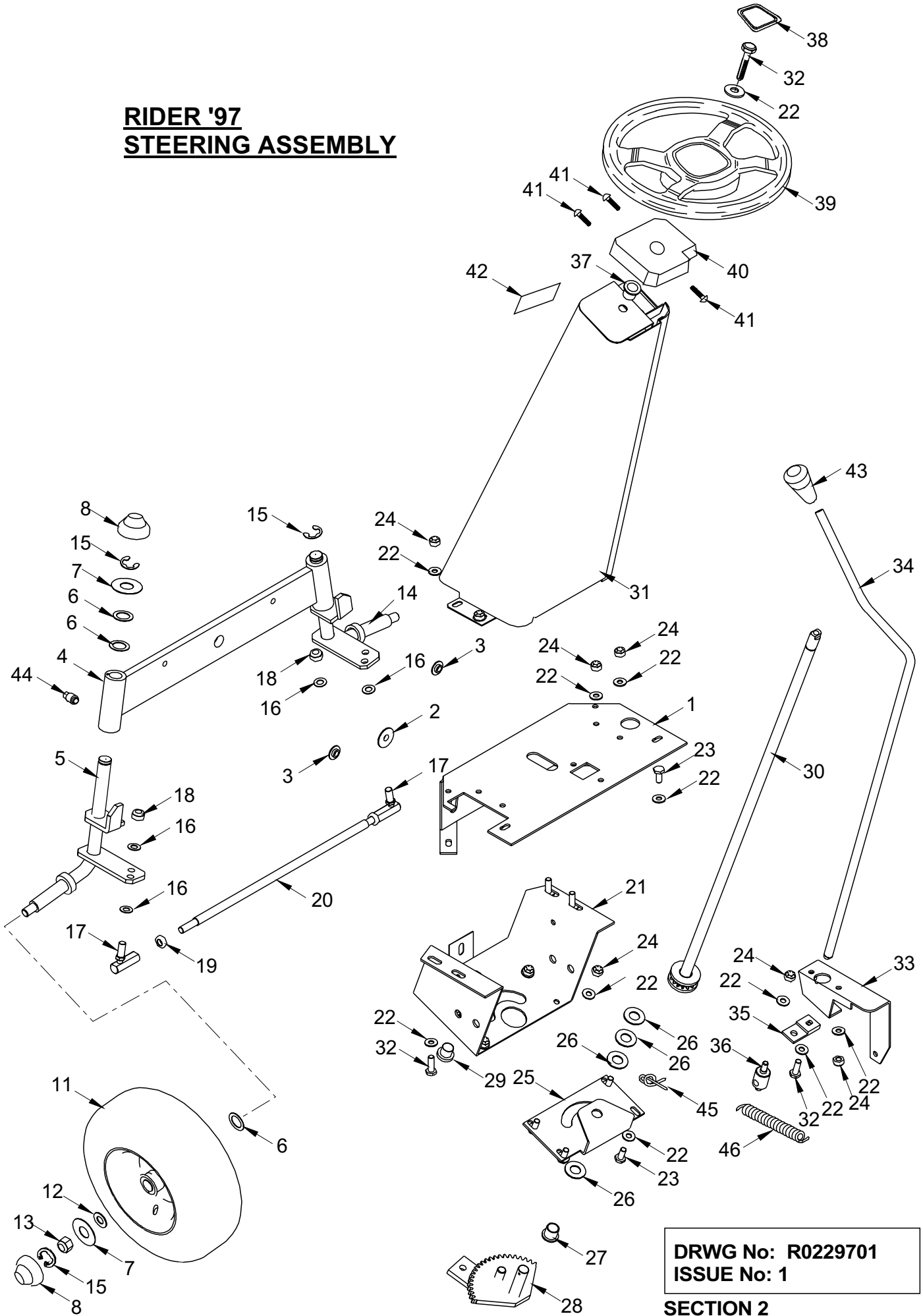
**RIDER FOOT CONTROL**  
**BODY & CONSOL ASSEMBLY**  
**PARTS LIST**

	PART DESCRIPTION	PART NUMBER
1.	Floor Assembly	327017700
2.	LH Chassis Beam	301061400
3.	RH Chassis Beam	301061500
4.	Seatbox	301061800
5.	Deck Level Guide	301060900
6.	Deck Engage Lever Assembly	327019100
7.	Reverse Pedal Assembly	327017500
8.	Forward Pedal Assembly	327017400
9.	Clutch Pedal Assembly	327017100
10.	Deck Tension Cross Shaft	327017600
11.	LH Side Bracket	301061000
12.	RH Side Bracket	301061100
13.	Consul Mounting Bracket	301060600
14.	Tow Plate Cross Member	301067700
15.	Tow Plate	301067800
16.	Washer 5/16"	08819700
17.	Bolt 5/16" UNF x 1"	02819600
18.	Nut Nyloc 5/16" UNF	04827500
19.	Tecumseh Exhaust Shield	301068100
20.	Fuel Tank Bracket	301068000
21.	Tecumseh Exhaust Rear Heat Shield	301066700
22.	Universal Clutch Bar Assembly	327019200
23.	Clutch Bar	301066300
24.	Clutch Bar Plate	301066500
25.	Clutch Bar Pin	183016200
26.	Tecumseh Mounting Plate	301066600
27.	Pedal Cassette Assembly	405006000
28.	Transaxle Damper Bracket	301062600
29.	Control Lever Assembly	307018100
30.	Brake / Clutch Rod Assembly	327018000
31.	Hydro Forward / Reverse Rod	313008800
32.	Steering Boss	301061900
33.	Steering Tube Assembly	327017800
34.	Battery Cover	301062200
35.	Battery Clamp	313008500
36.	Battery Box	301062100
37.	Seat Box Beam	301009300
38.	Tecumseh Deck Height Gate	301067100
39.	Tecumseh Engine Mounting Plate	301066600
40.	Honda Engine Pulley	183016000
41.	Tecumseh Engine Pulley	183015900

**RIDER FOOT CONTROL**  
**BODY & CONSOL ASSEMBLY**  
**PARTS LIST**

	PART DESCRIPTION	PART NUMBER
42	Honda Engine Pulley Spacer	183016100
43	Tecumseh Seat Box Brace	301067200
44	Rectangular Rubber Pedal Pad	148009600
45	Circular Rubber Pedal Pad	148009700
46	Tecumseh Engine Exhaust Pipe	327019400
47	Honda Engine Exhaust Pipe	327017900
48	Deck Engage Rod	313008700
49	Tecumseh Exhaust Mounting Bracket	327019300
50	Tecumseh Transmission Heat Shield	301087300
51	Floor Mats ( LH & RH) Complete Set	148005500
52	Battery Rod	31323600
53	Magstop Electric Clutch	44936100
54	Side Body Decals 'Countax'	35932500
55	Battery 12v Sealed	458141200
56	Body Moulding	148000900
57	Steering Wheel	14928200
58	Steering Top Collar	183015300
59	E-Clip	07823700
60	R. Clip 2mm	07823700
61	Exhaust Box	327004100
62	Set Screw 5/16" x 3/4"	02827600
63	Washer 1/4" T4 HP	08874300
64	Wing Nut	04822600
65	Rider Front Mould	148005600
66	'Rider' Steering Consul Decal	358005000
67	Honda Exhaust Assembly **	327025000
68	Deck Engage Lever Assembly	327017300
69	Spring Stop Collar	31320400
70	Brake Rod Spring	258000400
	<p>** Sold only as complete assembly which comprise of the following components:  Qty 1 Exhaust Cover  Qty 1 Exhaust Box  Qty 1 Heat Shield  Qty 1 Exhaust Manifold  Plus Fixings  If any of these parts are required separately, the Manufacturer Honda should be contacted for their Availability.</p>	

**RIDER '97  
STEERING ASSEMBLY**



**DRWG No: R0229701  
ISSUE No: 1**

**SECTION 2**

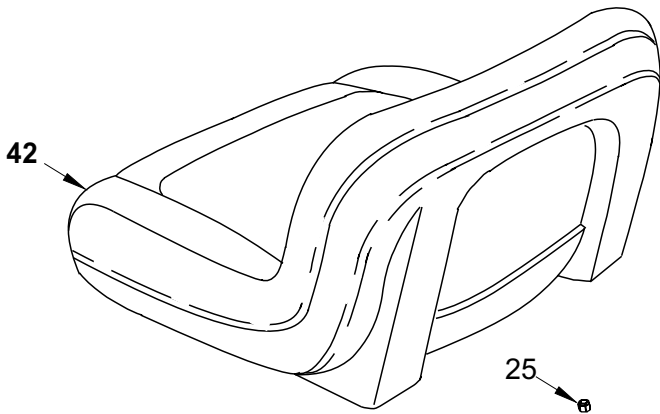


**RIDER '97  
STEERING ASSEMBLY  
PARTS LIST**

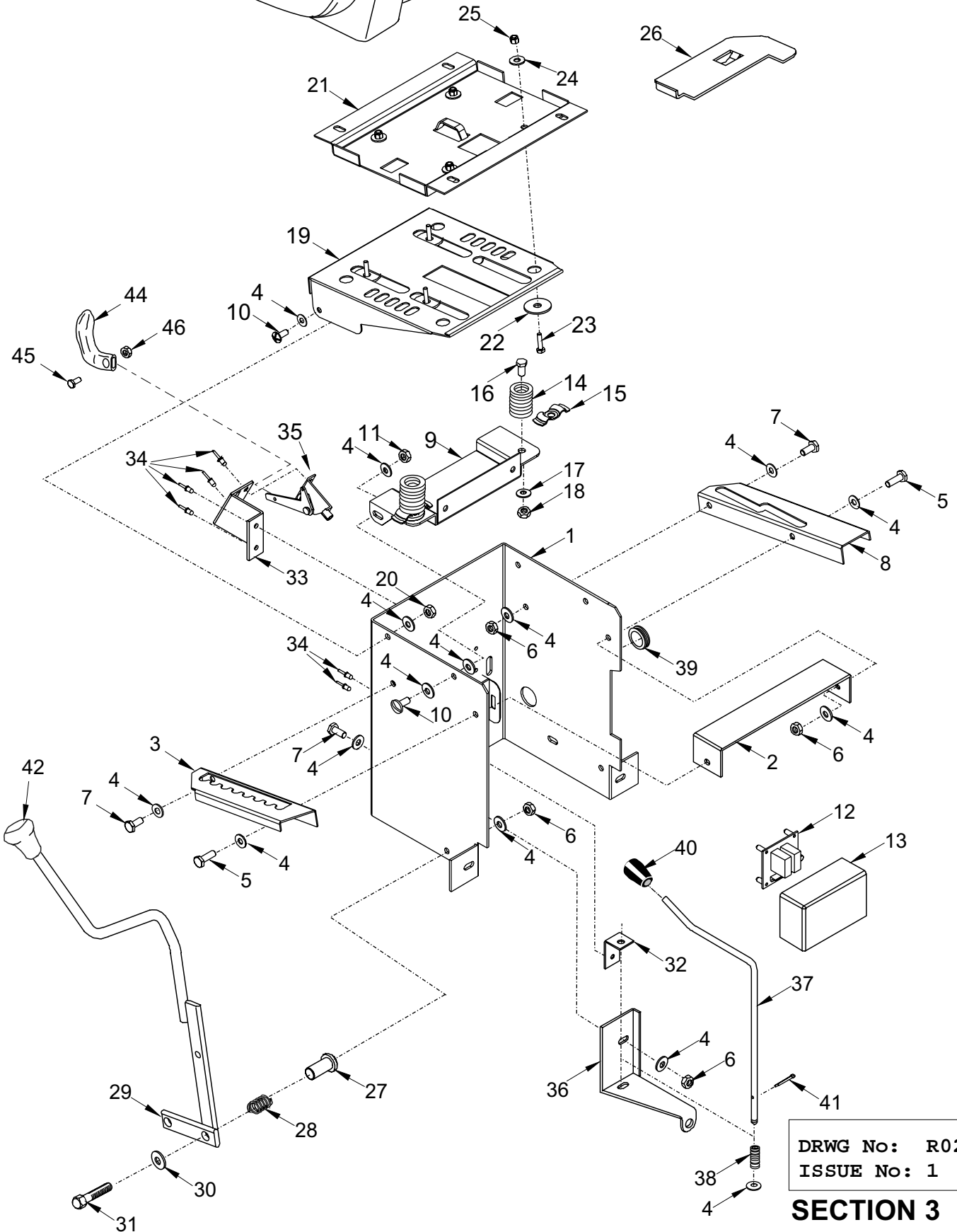
	<b>PART DESCRIPTION</b>	<b>PART NUMBER</b>
1	Console Mounting Plate	301010600
2	Front Axle Pivot	18317500
3	Axle Pivot Boss	31306100
4	Axle Beam Assembly	32716900
5	Stub Axle Assembly L/H Stub Axle Assembly L/H (Rider`99)	327003700 327026100
6	Washer 19mm	08829900
7	Washer 3/4" x 1 1/4"	08823000
8	Hub Cap	14811800
9	Front Wheel Assembly	32717100
10	Bearing	10880000
11	Front Tyre Front Tyre (Rider `99)	19877200 19939400
12	Washer 1/2" ID LP	08822500
13	Nyloc Nut 1/2" UNC	04875000
14	Stub Axle Assembly R/H Stub Axle Assembly R/H (Rider`99)	327003800 327026200
15	E - Clip	07823200
16	Washer 3/8"	08820100
17	Ball Joint 10mm	10883100
18	Nyloc Nut M10	04886100
19	Locknut M10	04872100
20	Track Rod	183002100
21	Steering Box	301011100
22	Washer 5/6" T4	08819700
23	Set Screw 5/16" UNF x 3/4	02827600
24	Nyloc Nut 5/16" UNF	04827500
25	Steering Quadrant Plate	30136900
26	Washer 5/8" x 1 1/4" OD	08822700
27	Steering Quadrant Bush	18341000
28	Steering Quadrant	32723600
29	Steering Column Bush	18341100
30	Steering Column	323000100
31	Steering Console	327003600
32	Set Screw 5/16" x 1"	02819600
33	Deck Engagage Support	313001500
34	Deck Engage Lever	313001600

**RIDER '97  
STEERING ASSEMBLY  
PARTS LIST**

35	Deck Engage Plate	30101070
36	Deck Engage Rod Trunion	31320000
37	Nylon Bush	14801800
38	Steering Wheel Cap	14938700
39	Steering Wheel	14928200
40	Plastic Consol	148001300
41	Pop rivet 4mm Black	12824100
42	Decal - Deck Height	35900700
43	Lever Knob	14804800
44	Grease Nipple	11808600
45	Rue Clip	11836700
46	Rue Clip	11836700
47	Bush Upper Column	14801800



# RIDER '97 SEAT BOX ASSEMBLY



DRWG No: R0219701  
ISSUE No: 1

## SECTION 3

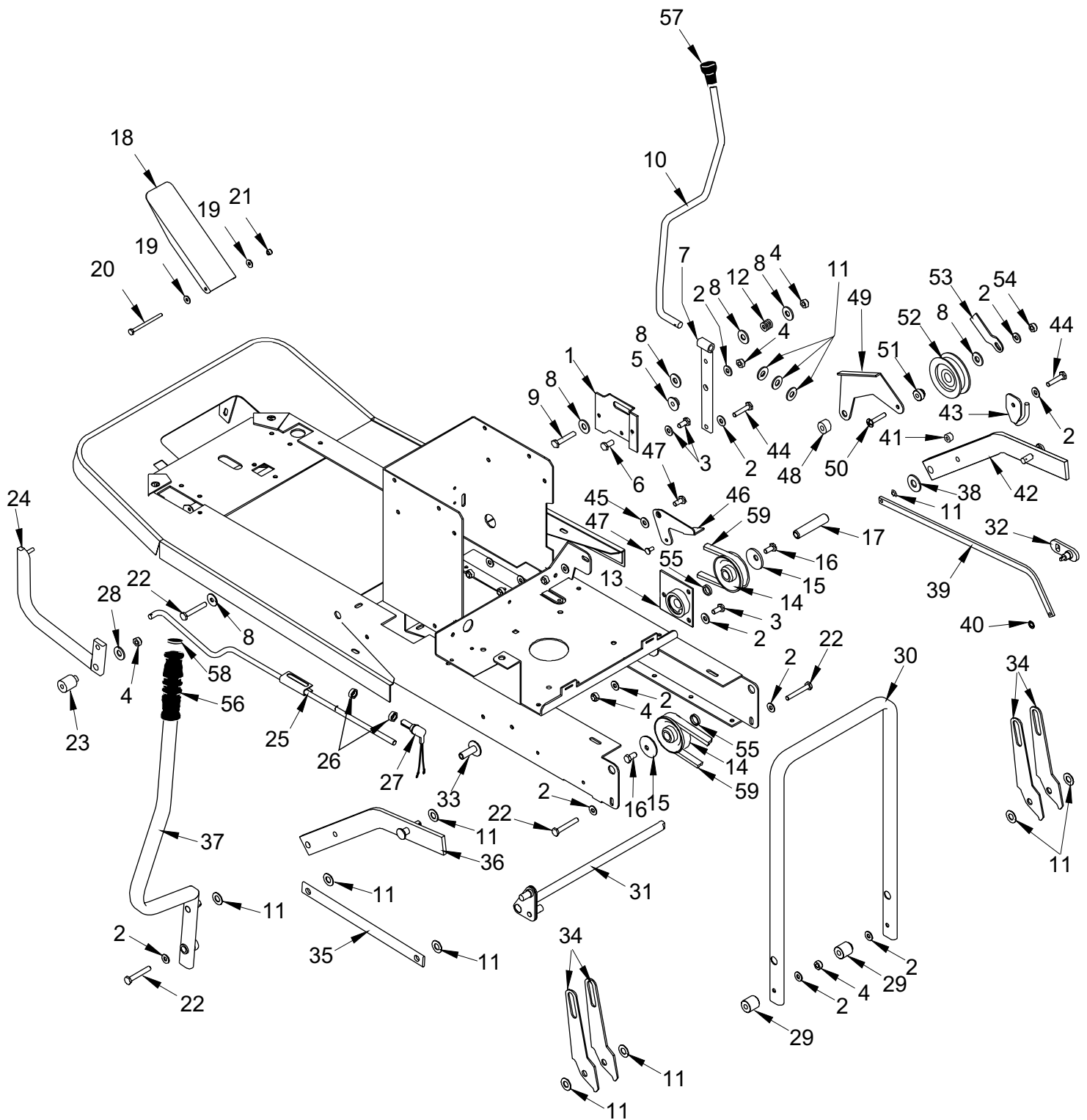
**RIDER '97  
SEAT BOX ASSEMBLY PARTS LIST**

	<b>PART DESCRIPTION</b>	<b>PART NUMBER</b>
1	Seat Box Assembly	327003400
2	Seat Box Brace	301008000
3	Deck Height Gate	301009100
4	Washer 5/6" T4	08819700
5	Set Screw 5/16" x 1"	02819600
6	Nyloc Nut 5/16" UNF	04827500
7	Set Screw 5/16" x 3/4	02827600
8	Speed Control Gate	301009200
9	Seat Box Beam	301009300
10	Screw head bolt M8	01886200
11	Nyloc Nut M8	04850600
12	P C Board	44881000
13	P C Board Cover	14851100
14	Seat Spring	25858100
15	Seat Spring Retaining Washer	27835400
16	Set Screw 3/8" x 3/4" UNF	02874500
17	Washer 3/8"	08820100
18	Nyloc Nut 3/8" UNF	04820200
19	Seat Adjust Plate Lower	301009400
20	Locknut M8	04822300
21	Seat Adjust Plate Upper	301009500
22	Washer 40mm x 8.3mm x 3mm	08104400
23	Set Screw 1/4" x 3/4" UNF	02827700
24	Washer 1/4"	08827800
25	Nyloc Nut 1/4" UNF	04819400
26	Seat Adjuster Handle	301009600
27	Deck Height Lever Pivot	18323700
28	Lever Spring	25906700
29	Deck Height Lever Assembly	327001500
30	Washer 5/16" x 1" HG	08819800
31	Bolt 5/16" x 2 1/4" UNF	01827000
32	Park Brake Plate	301009700
33	Throttle Mounting Plate	301009800
34	Rivet 5mm x 14mm	12847900
35	Throttle Control	52880400
36	Brake Switch Plate	301009900
37	Park Brake Rod	313001700
38	Park Brake Spring	25805000
39	Grommet 5/8" Open	52849200
40	Pear Tip Knob	14886900

**RIDER '97  
SEAT BOX ASSEMBLY  
PARTS LIST**

41	Split Pin	06849000
42	Lever Knob	14804800
43	Seat	14946800
44	Throttle Lever Control	14810400
45	Screw M4 x 12mm Pozi Pan	02826300
46	Nyloc Nut M4	04826400

**RIDER '97**  
**GEAR LEVER, BRAKE & SWEEPER LIFT ASSEMBLY**



DRWG No: R0179701  
ISSUE No: 1

SECTION 4

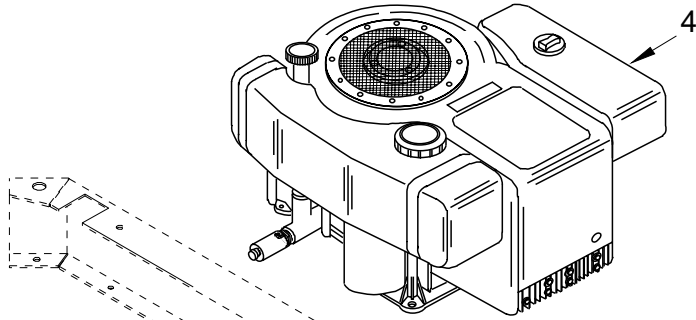
**RIDER '97  
GEAR LEVER, BRAKE & SWEEPER LIFT ASSEMBLY  
PARTS LIST**

	PART DESCRIPTION	PART NUMBER
1	Bridge Plate	30139100
2	Washer 5/16" T4	08819700
3	Set Screw 5/16" UNF x 3/4"	02827600
4	Nyloc Nut 5/16" UNF	04827500
5	Bridge Plate Pivot	183003400
6	Set Screw 5/16" UNF x 1"	02819600
7	Speed Control Lever Lower	32721500
8	Washer 5/16" x 1" HG	08819800
9	Bolt 5/16" UNF x 2"	01820900
10	Speed Control Lever	313001300
11	Washer 1/2" ID x 1" OD	08822500
12	Universal Compression Spring	25906700
13	PTO Bearing Housing Assembly	40501000
14	3" Pulley Assembly	20870800
15	Dome Washer 3/8" x 1.3/4" x 1/8"	08819900
16	Set Screw 3/8" UNF x 3/4"	02825200
17	Transfer Shaft	18312100
18	Brake Pedal Plate	301012100
19	Washer M6	088000300
20	Bolt M6 x 80 mm	018001100
21	Nyloc Nut M6	04920500
22	Bolt 5/16" UNF x 2.1/4"	01821200
23	Brake Pedal Pivot	183002800
24	Brake Pedal Link Bar Assembly	327004000
25	Clutch Rod Assembly	327001800
26	Nut M12 Fine Nylon	04859000
27	Safety Switch	44945001
28	Washer 8.5mm ID x 30mm OD HG	08125800
29	Rose Joint Boss	31302400
30	Lift Hoop	174001100
31	Sweeper Lift Pivot Assembly	327002200
32	PTO Pivot End	327002100
33	Sweeper Lift Lever Pivot	374001200
34	Sweeper Lift Hook	301006800
35	Transport Linkage Bar	302000300
36	Sweeper Lift Arm Assembly L/H	327002400
37	Sweeper Lift Lever Assembly	327001900
38	Washer 40mm OD x 10mm ID	08824600
39	Sweeper Disengage Bar	302000200
40	Washer 1/4" INT Shakeproof	08824200

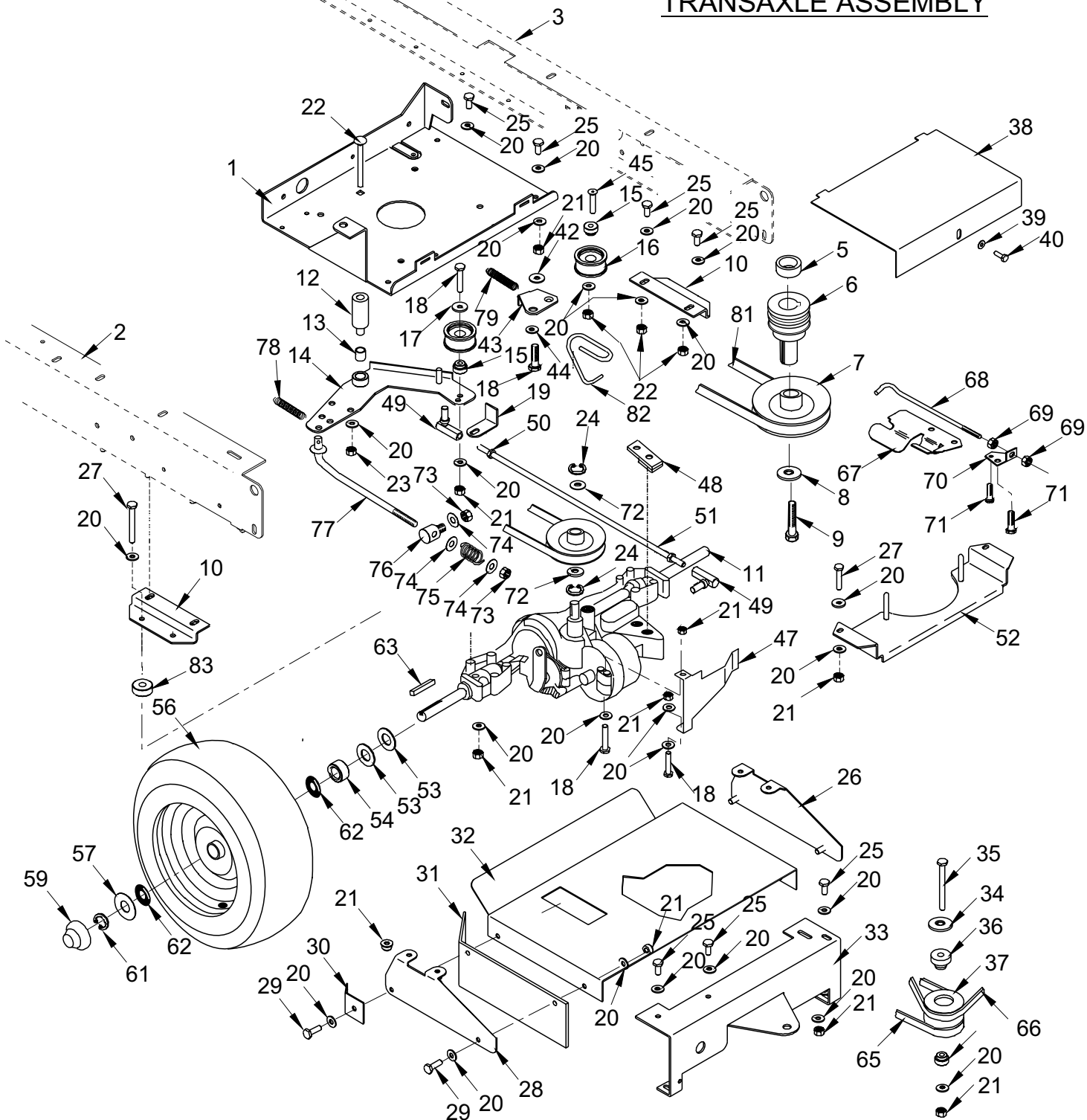
**RIDER '97  
GEAR LEVER, BRAKE & SWEEPER LIFT ASSEMBLY  
PARTS LIST**

	PART DESCRIPTION	PART NUMBER
41	Spacer 5/16" x 9mm	18302700
42	Sweeper Lift Arm Assembly R/H	327002300
43	Sweeper Belt Retaining Bracket	32727400
44	Bolt 5/16" UNF x 1.3/4"	01820800
45	Bonnet Pivot Boss	31306100
46	Disengage Triangle	301006900
47	Clevis Pin 1/4"	31340800
48	Sweeper Disengage Pivot	183001600
49	Sweeper Disengage Assembly	327002500
50	Bolt M8 x 40mm Roofing	01912800
51	Jockey Wheel Spacer	18831600
52	Jockey Wheel	20811500
53	Sweeper Disengage Assembly Belt Guide	301012200
54	Nyloc Nut M8	04850600
55	PTO Bearing Spacer	17403500
56	Soft Foam Grip	38936500
57	Lever Knob	14804800
58	Soft Foam Grip End Plug	14880500
59	Sweeper Belt Dayco Super 2 A 50	228000300





**RIDER '97 - MANUAL  
TRANSAXLE ASSEMBLY**



**DRWG No: R0209701  
ISSUE No: 1**

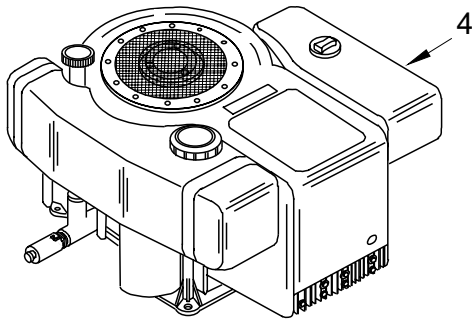
**SECTION 5**

**RIDER '97  
MANUAL TRANSAXLE ASSEMBLY  
PARTS LIST**

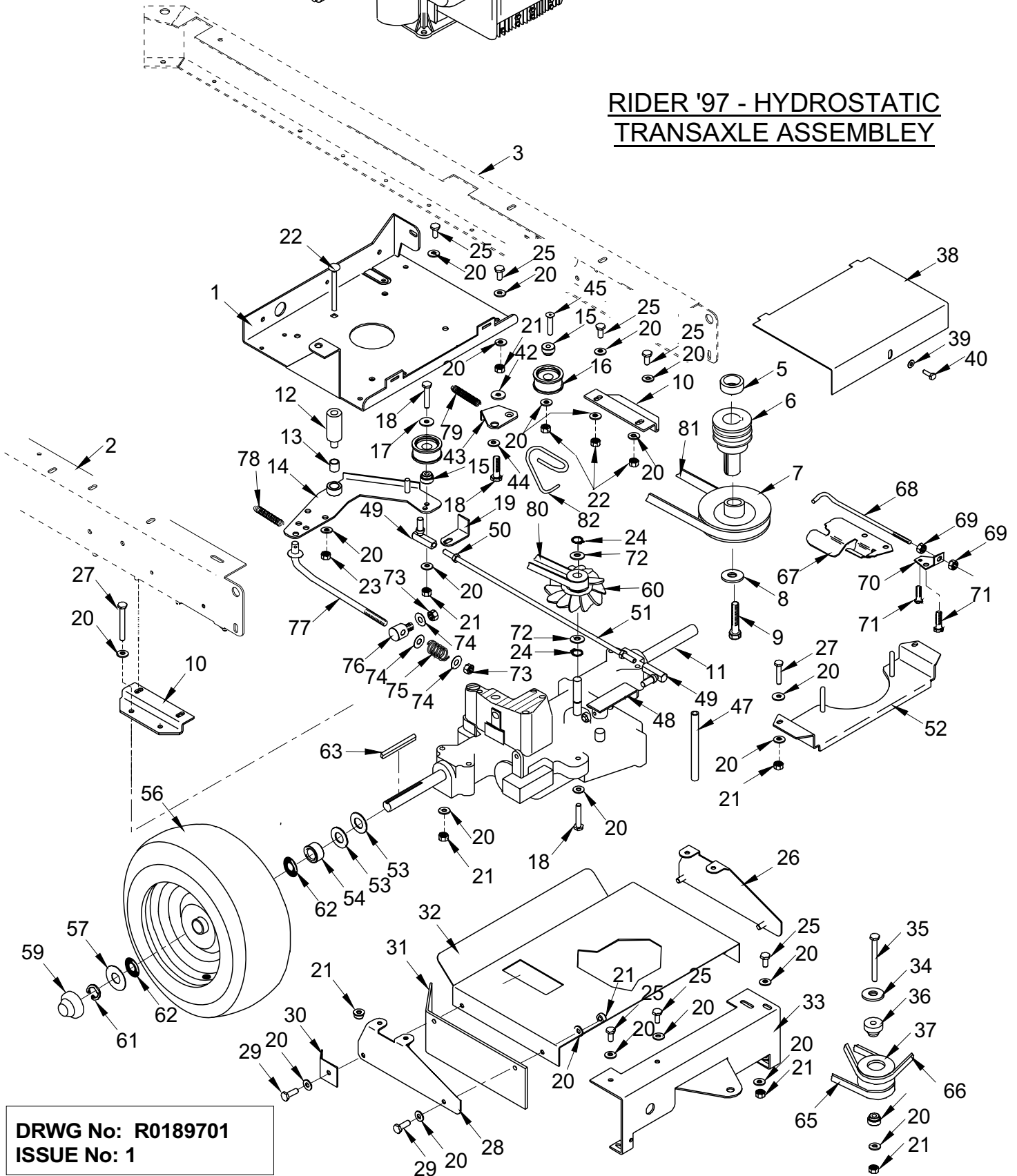
	<b>PART DESCRIPTION</b>	<b>PART NUMBER</b>
1	Engine Mounting Plate	301010800
2	Chassis Beam L / H	301010500
3	Chassis Beam R / H	301010400
4	Engine	N/A
5	Engine Spacer	31854000
6	Engine Pulley	18322600
7	5" Pulley Assembly	20869501
8	Engine Pulley Cap	18312200
9	Bolt 7/16" UNF x 3"	01881300
10	Transaxle Mounting Bracket	301011700
11	Tecumseh 5 Speed Manual Transmission	52877700
12	Clutch Pivot Post	183001800
13	Oilite Bush Non - Flanged	52824700
14	Clutch Arm Assembly	32726300
15	Jockey Pulley Spacer	18831600
16	2" Plastic Idler Pulley	20880800
17	Washer 5/16" x 1" Hg	08819800
18	Bolt 5/16" UNF x 1 3/4"	01820800
19	Belt Guide	30132900
20	Washer 5/6" T4	08819700
21	Nyloc Nut 5/16" UNF	04827500
22	Screw head bolt M8 X 85	01912800
23	Nyloc Nut M8	04850600
24	Circlip 15mm	07907400
25	Set Screw 5/16" x 3/4	02827600
26	Transaxle Bracket L/H	30134800
27	Bolt 5/16" UNF x 2 3/4"	01821200
28	Transaxle Bracket R/H	30135300
29	Set Screw 5/16" x 1"	02819600
30	Transaxle Rubber Bracket	30134900
31	Transaxle Rubber	14887201
32	Transaxle Deflector Plate	30138100
33	Tow Plate	301011900
34	Washer 5/16" x 7/8"	08832100
35	Bolt 5/16" UNF x 3 1/2"	01827100
36	Pulley Support Boss	18322300
37	Drive Pulley	18322500
38	Transaxle Cover	301012000
39	Washer 1/4" T3 LP	08825600
40	Set Screw 1/4" UNF x 3/4"	01827700
41	Nyloc Nut 1/4" UNF	04819400

**MANUAL TRANSAXLE ASSEMBLY  
PARTS LIST**

42	PTO Engage Plate Boss	30305100
43	PTO Tension Plate	30135000
44	Washer 5/6" T3 LP	08819500
45	Allen Bolt M8 x 40mm CSK HD	01918500
46	Bolt 5/16" UNF x 1 1/2"	01820700
47	Transaxle Torque Bracket	30129100
48	Speed Control Arm Assembly	32726100
49	Ball Joint M8	10896200
50	Locknut M8	04822300
51	Gear Select Rod	18316600
52	Deck Belt Guide	327003900
53	Wheel Washer	08822900
54	Transaxle Spacer	18311000
55	Rear Wheel Assembly	32717700
56	Rear Tyre	19843800
57	Galvanised Washer	30127800
58	E - Clip 19mm	07823200
59	Hub Cap	14811800
60	Transaxle 7" Pulley	20870700
61	E - Clip 3/4"	07823200
62	'O' Ring	24898700
63	Key 3/16" x 2" Sq.	09830700
65	Belt Dayco Super 2 A32	22905400
66	Belt XPZ 750	22879800
67	Dump Valve Plate	30133800
68	Dump Valve Rod	18322800
69	Nyloc Nut 1/4" UNC	04897500
70	Dump Valve Arm Bracket	30133900
71	Bolt M4 x 15mm	01917000
72	Washer	40502600
73	Nyloc Nut 3/8" UNF	04820200
74	Washer 3/8"	08820100
75	Compression Spring	25808300
76	Brake Rod Trunion	18326700
77	Brake Rod	327001600
78	Brake Return Spring	25812201
79	PTO Belt Tension Spring	25849601
80	Belt Dayco Super 2 A32	22905400
81	Belt Dayco Super 2 B48	22876402
82	Belt Guide	313001800
83	Transaxle Spacer	18314400



**RIDER '97 - HYDROSTATIC  
TRANSAXLE ASSEMBLY**



**DRWG No: R0189701  
ISSUE No: 1**

**SECTION 6**

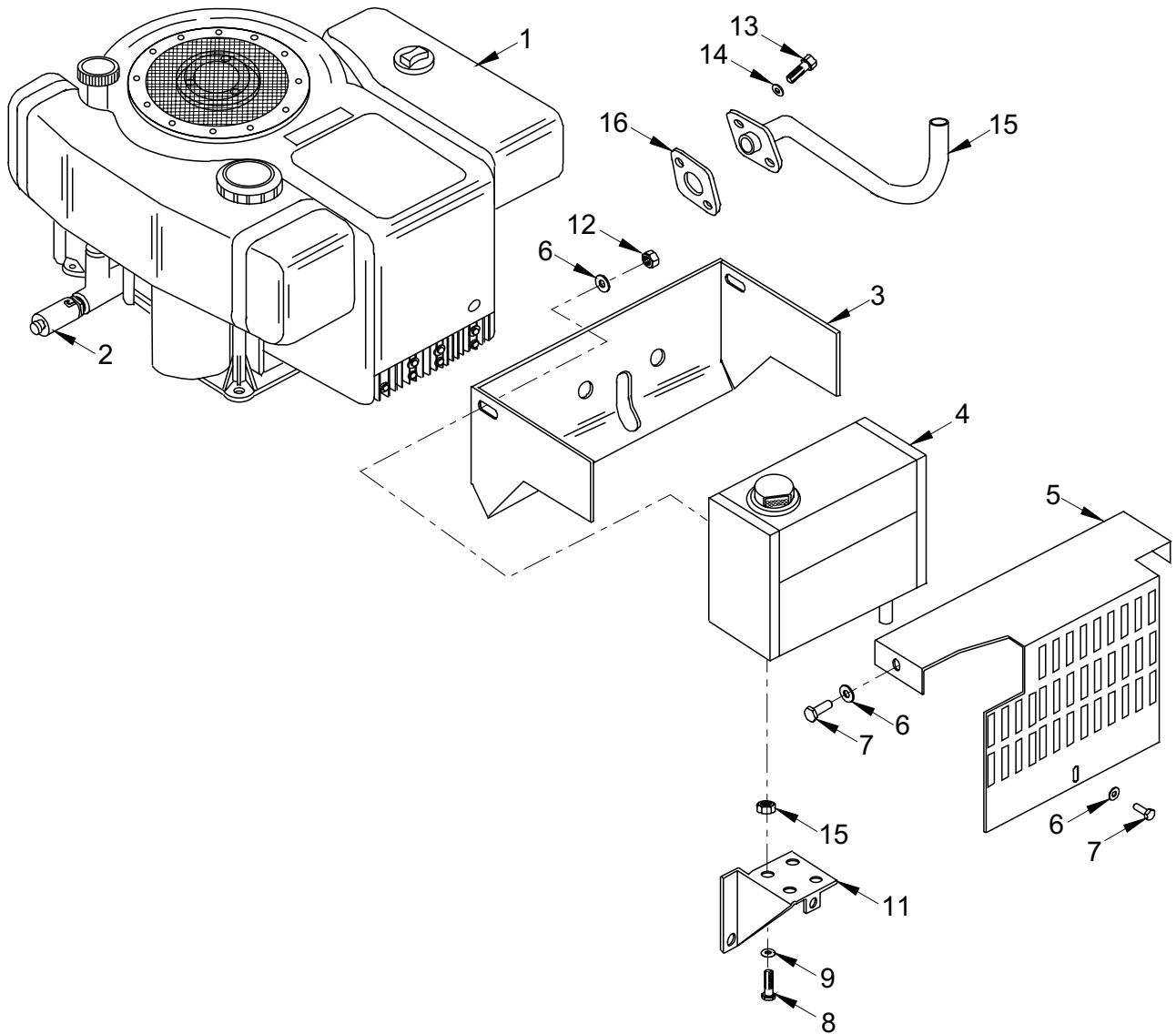
**RIDER '97  
HYDROSTATIC TRANSAXLE ASSEMBLY  
PARTS LIST**

	<b>PART DESCRIPTION</b>	<b>PART NUMBER</b>
1	Engine Mounting Plate	301010800
2	Chassis Beam L / H	301010500
3	Chassis Beam R / H	301010400
4	Engine	N/A
5	Engine Spacer	31854000
6	Engine Pulley	18322600
7	5" Pulley Assembly	20869501
8	Engine Pulley Cap	18312200
9	Bolt 7/16" UNF x 3"	01881300
10	Transaxle Mounting Bracket	301011700
11	Tuff Torq Hydrostatic Transaxle	47902501
12	Clutch Pivot Post	183001800
13	Oilite Bush Non - Flanged	52824700
14	Clutch Arm Assembly	32726300
15	Jockey Pulley Spacer	18831600
16	2" Plastic Idler Pulley	20880800
17	Washer 5/16" x 1" Hg	08819800
18	Bolt 5/16" UNF x 1 3/4"	01820800
19	Belt Guide	30132900
20	Washer 5/6" T4	08819700
21	Nyloc Nut 5/16" UNF	04827500
22	Screw headed bolt M8 X 85	01912800
23	Nyloc Nut M8	04850600
24	Circlip 15mm	07907400
25	Set Screw 5/16" x 3/4	02827600
26	Transaxle Bracket L/H	30134800
27	Bolt 5/16" UNF x 2 3/4"	01821200
28	Transaxle Bracket R/H	30135300
29	Set Screw 5/16" x 1"	02819600
30	Transaxle Deflector Bracket	30134900
31	Transaxle Rubber	14887201
32	Transaxle Deflector Plate	30138100
33	Tow Plate	301011900
34	Washer 5/16" x 7/8"	08832100
35	Bolt 5/16" UNF x 3 1/2"	01827100
36	Pulley Support Boss	18322300
37	Drive Pulley	18322500
38	Transaxle Cover	301012000
39	Washer 1/4" T3 LP	08825600
40	Set Screw 1/4" UNF x 3/4"	01827700
41	Nyloc Nut 1/4" UNF	04819400

**RIDER '97  
HYDROSTATIC TRANSAXLE ASSEMBLY  
PARTS LIST**

42	PTO Engage Plate Boss	30305100
43	PTO Tension Plate	30135000
44	Washer 5/6" T3 LP	08819500
45	Allen Bolt M8 x 40mm CSK HD	01918500
46	Bolt 5/16" UNF x 1 1/2"	01820700
47	Transaxle Torque Arm	183001900
48	Speed Control Arm Assembly	32726100
49	Ball Joint M8	10896200
50	Locknut M8	04822300
51	Gear Select Rod	18316600
52	Deck Belt Guide	327003900
53	Wheel Washer	08822900
54	Transaxle Spacer	18311000
55	Rear Wheel Assembly	32717700
56	Rear Tyre	19843800
57	Galvanised Washer	30127800
58	E - Clip 19mm	07823200
59	Hub Cap	14811800
60	Transaxle Pulley & Fan Assembly	40505400
61	E - Clip 3/4"	07823200
62	'O' Ring	24898700
63	Key 3/16" x 2" Sq.	09830700
64	Transaxle Deflector Bracket	30134900
65	Belt Dayco Super 2 A32	22905400
66	Belt XPZ X750	22879800
67	Dump Valve Plate	30133800
68	Dump Valve Rod	18322800
69	Nyloc Nut 1/4" UNC	04897500
70	Dump Valve Arm Bracket	30133900
71	Bolt M4 x 15mm	01917000
72	Washer	40502600
73	Nyloc Nut 3/8" UNF	04820200
74	Washer 3/8"	08820100
75	Compression Spring	25808300
76	Brake Rod Trunnion	18326700
77	Brake Rod	327001600
78	Brake Return Spring	25812201
79	PTO Belt Tension Spring	25849601
80	Belt Dayco Super 2 A26	22905300
81	Belt Dayco Super 2 B48	22876402
82	Belt Guide	313001800

**RIDER '97**  
**ENGINE & EXHAUST ASSEMBLY**



DRWG No: R0169701  
ISSUE No: 1

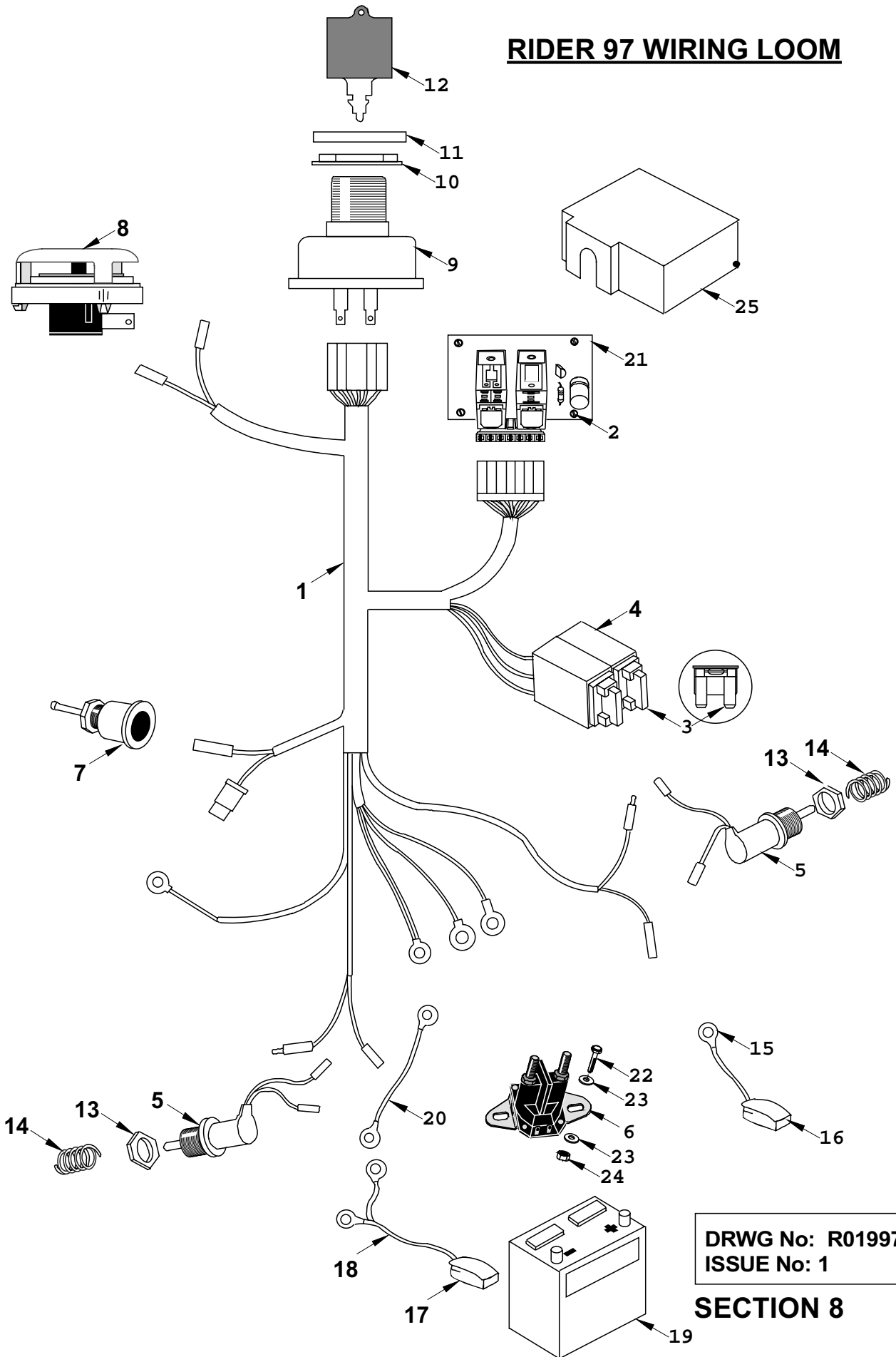
SECTION 7

**RIDER '97  
ENGINE & EXHAUST ASSEMBLY  
PARTS LIST**

	PART DESCRIPTION	PART NUMBER
1	Briggs & Stratton 11.5hp Engine	N/A
2	Oil Drain Valve	52851200
3	Exhaust Cover - Front	301012300
4	Exhaust Box	327004100
5	Exhaust Cover - Back	301012400
6	Washer 1/4" T3 LP	08827800
7	Set Screw 1/4" UNF x 3/4"	02827700
8	Set Screw M6 x 30mm Taptite	03901100
9	Washer 1/4" Shakeproof	08855100
10	Washer 5/16" x 7/8" LP	08832100
11	Exhaust Box Support Bracket	301012500
12	Nut 1/4" UNF Nyloc	04819400
13	Screw 5/16" X 5/8" Whit Socket Cap Head	02902400
14	5/16" Spring Washer	08827300
15	Exhaust Manifold	17403800
16	Exhaust Gasket ( Briggs & Stratton )	N/A



# RIDER 97 WIRING LOOM

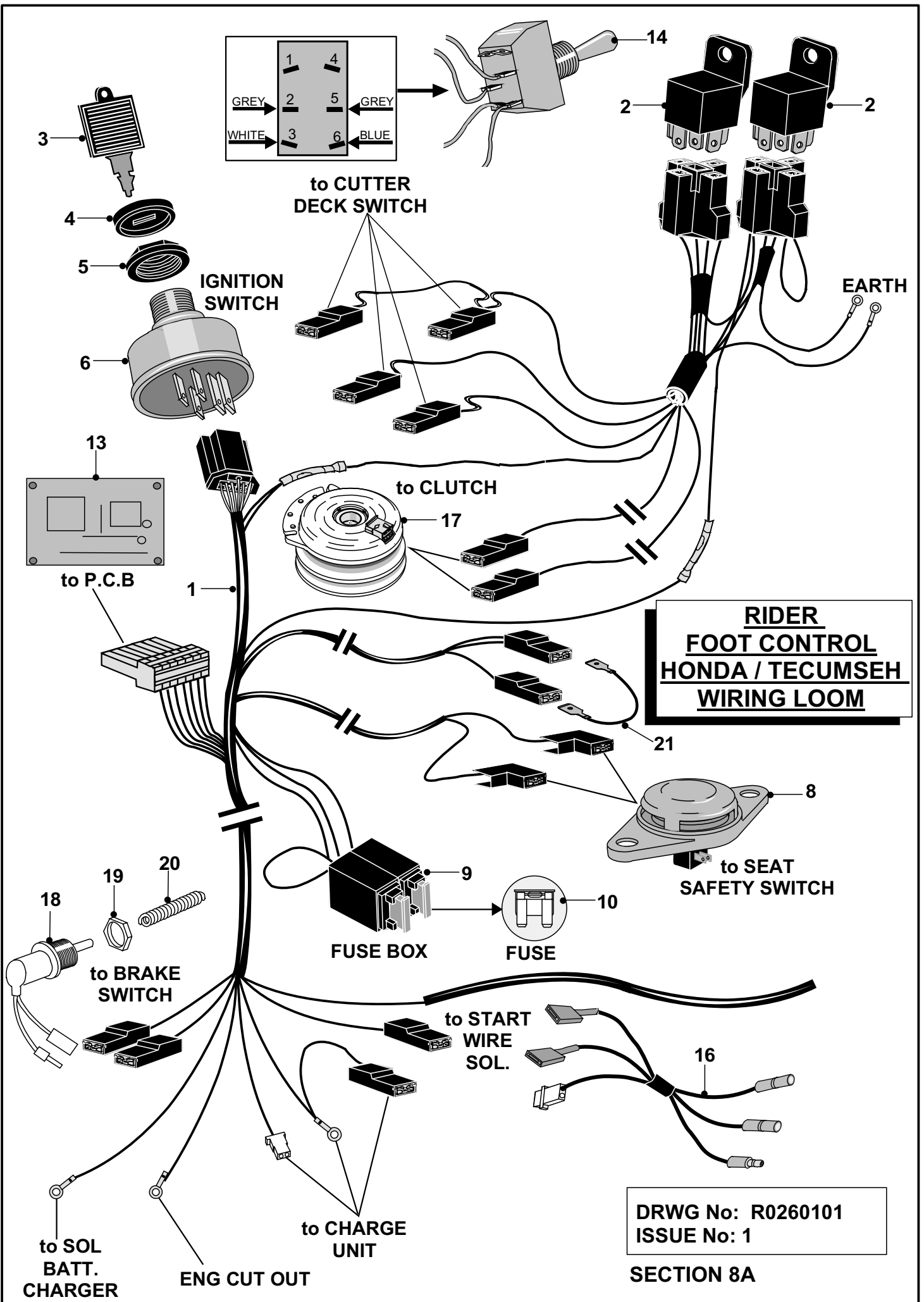


DRWG No: R0199701  
ISSUE No: 1

## SECTION 8

**RIDER '97  
WIRING LOOM  
PARTS LIST**

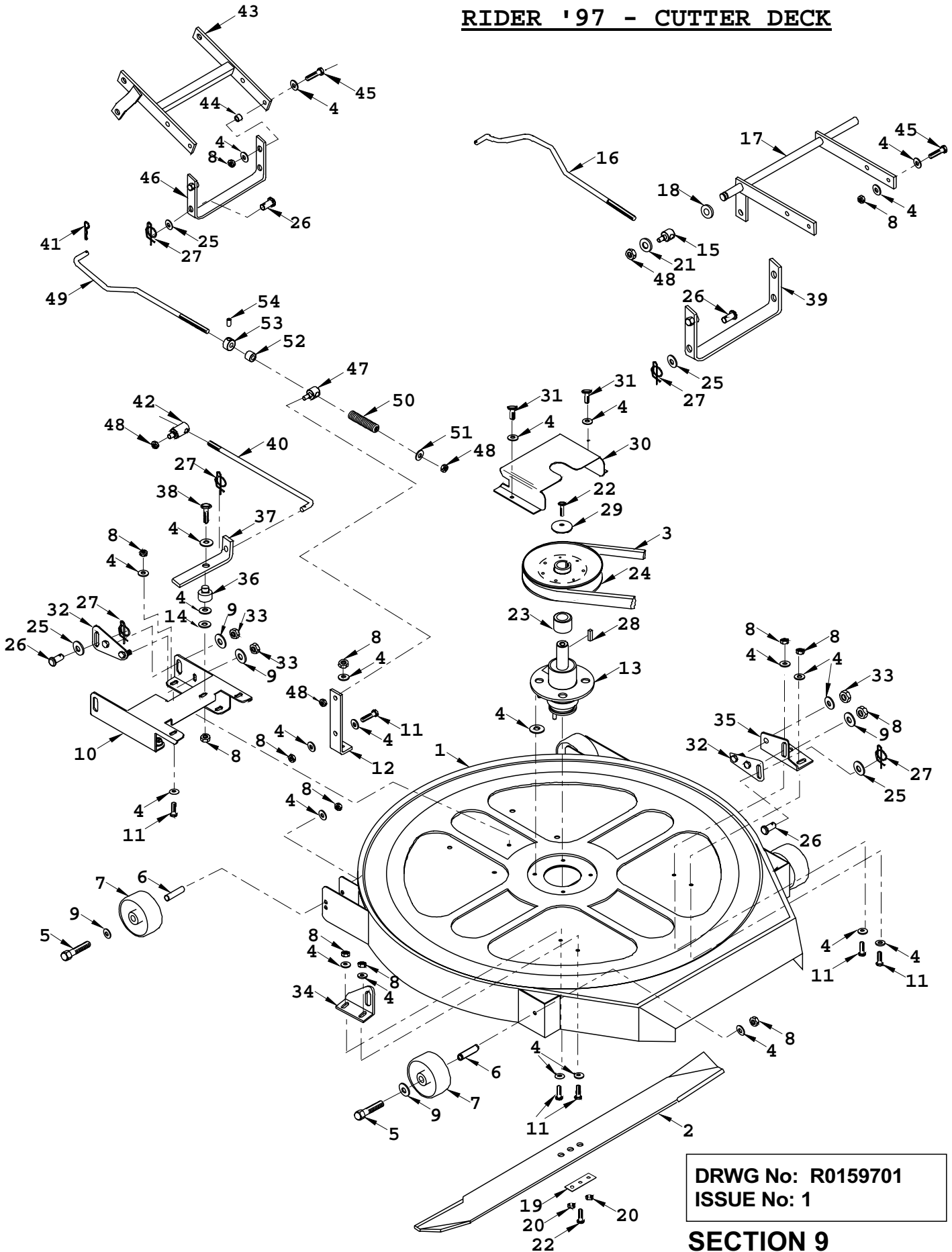
	PART DESCRIPTION	PART NUMBER
1	Wiring Loom	448000800
2	Printed Circuit Board	44881000
3	Fuse 10A	44889500
4	Fuse Block	14835100
5	Safety Switch	44945001
6	Solenoid	44814801
7	PTO Socket (Optional)	44815100
8	Seat Switch	44949500
9	Ignition Switch	44812900
10	Ignition Fixing Nut	52813200
11	Ignition Cap Bezel	52813100
12	Ignition Key	52813000
13	Nut M12 Fine Nylon	04859000
14	Safety Switch Spring	25813801
15	Red Lead To Battery Solenoid	44905600
16	Battery Connector (+) Red	44812700
17	Battery Connector (-) Black / Blue	44812800
18	Black Lead Battery To Chassis	44905700
19	Battery 12v	45814100
20	Solenoid To Starter Lead (Red)	44877100
21	Printed Circuit Board Peg	26818800
22	Bolt 1/4" UNF x 3/4"	02827700
23	Washer 1/4" T3 LP	08827800
24	Nut 1/4" UNF Nyloc	04819400
25	Printed Circuit Board Cover	14851100



**RIDER FOOT CONTROL**  
**HONDA / TECUMSEH WIRING LOOM**  
**PARTS LIST**

	PART DESCRIPTION	PART NUMBER
1.	Honda / Tecumseh Wiring Loom	448000802
2.	Relay	449559100
3.	Ignition Key	52813000
4.	Ignition Cap Bezel	52813100
5.	Ignition Fixing Nut	52813200
6.	Ignition Switch	44812900
7.	Mag stop Clutch	44936100
8.	Seat Safety Switch	44945001
9.	Fuse Box	14835100
10.	Fuse 10A	44889500
11.	Transmission Safety Switch	44945001
12.	Safety Switch Spring	25813801
13.	Printed Circuit Board	44945900
14.	Cutter Deck Switch	448001400
15.	Wiring Loom	448006000
16.	Honda Wiring Lomm Extension	448004700
17.	Magstop Electric Clutch	44936100
18.	Safety Switch	44945001
19.	Nut M12 Fine Nylon	04859000
20.	Safety Switch Spring	25813801
21.	Wiring Loop	448005000

# RIDER '97 - CUTTER DECK



DRWG No: R0159701  
ISSUE No: 1

## SECTION 9

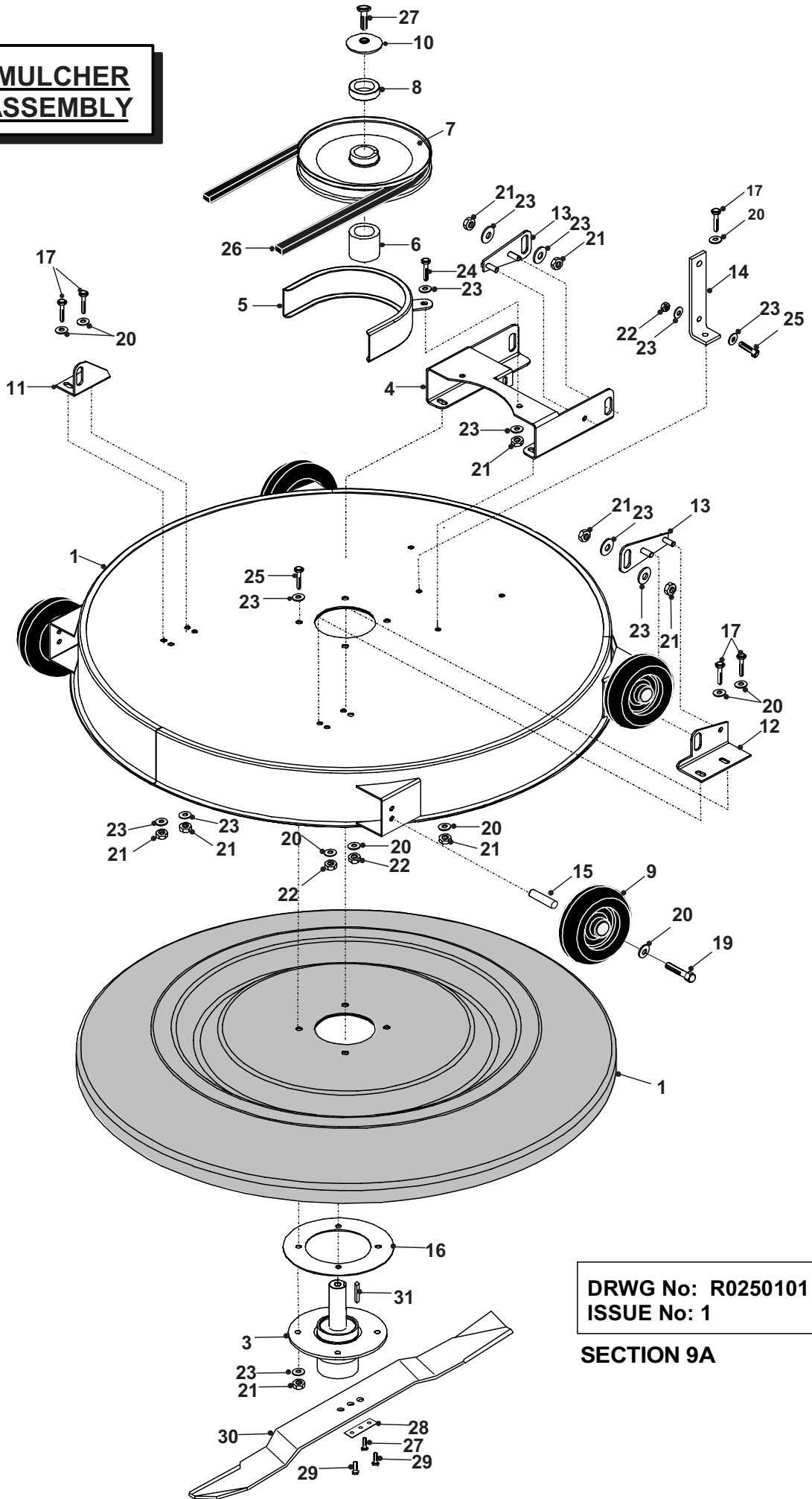
**RIDER '97  
CUTTER DECK  
PARTS LIST**

	PART DESCRIPTION	PART NUMBER
1	Deck Shell Complete	32717201
2	Blade 30"	16876601
3	Deck Belt Dayco Super 2 B48	22876402
4	Washer 5/16" T4 HP	08819700
5	Bolt 5/16" UNF x 2 3/4"	01821200
6	Anti - Scalp Wheel Hub	31337600
7	Anti - Scalp Wheel	19905500
8	Nyloc Nut 5/16" UNF	04827500
9	Washer 5/16" x 1" HG	08819800
10	Deck Bridge	301008700
11	Set Screw 5/16" UNF x 1"	02819600
12	Deck Engage Post	202000100
13	Deck Bearing Housing Assembly	40500902
14	Washer 5/16" T3 HP	08819500
15	Deck Level Trunnion	18311600
16	Deck Level Rod	313001400
17	Rear Deck Hanging Bar Assembly	327001700
18	E - Clip	07823400
19	Cutter Blade Locking Tab	30128300
20	Locknut M8	04822300
21	Washer 3/8"	08822800
22	Set Screw 3/8" UNF x 1 1/4"	02825300
23	Deck Drive Pulley Spacer	31328301
24	Deck Drive Pulley Assembly	32729000
25	Washer 1/2" T3 LP	08822500
26	Deck Lift Pin	31337200
27	Rue Clip	11836700
28	Key 1/4" x 1/4" x 1"	09830600
29	Dome Washer 3/8" x 1 3/4" x 1/8"	08819900
30	Deck Belt Guard	301008600
31	Set Screw 5/16" UNF x 3/4"	02827600
32	Deck Adjustment Plate	30127400
33	Nyloc Nut M8	04920100
34	Rear Deck Hanging Bracket L/H	30121400
35	Rear Deck Hanging Bracket R/H	30139700
36	Deck Brake Pivot	183002800
37	Deck Brake Bar	30205800
38	Bolt 5/16" UNF x 2"	01820900
39	Rear Deck Hanging Bar Cradle	30205900
40	Deck Brake Rod	18320700
41	R - Clip 2mm	07823700

**RIDER '97  
CUTTER DECK  
PARTS LIST**

42	Deck Brake Trunnion	18813800
43	Front Deck Hanging Bar Assembly	32717300
44	Spacer 5/16" x 9mm	18302700
45	Bolt 5/16" UNF x 1 1/4"	01820600
46	Front Deck Hanging Bar Cradle	30205100
47	Deck Engage Rod Trunnion	31320000
48	Nyloc Nut 3/8" UNF	04820300
49	Deck Engage Rod	31320500
50	Deck Engage Rod Spring	25899900
51	Washer 3/8"	08822800
52	Deck Engage Rod Spacer	18325900
53	Deck Engage Spring Stop	31320400
54	Screw 5/16" Whit x 5/8" Socket Cap Head	02902400

# RIDER MULCHER DECK ASSEMBLY



DRWG No: R0250101  
ISSUE No: 1

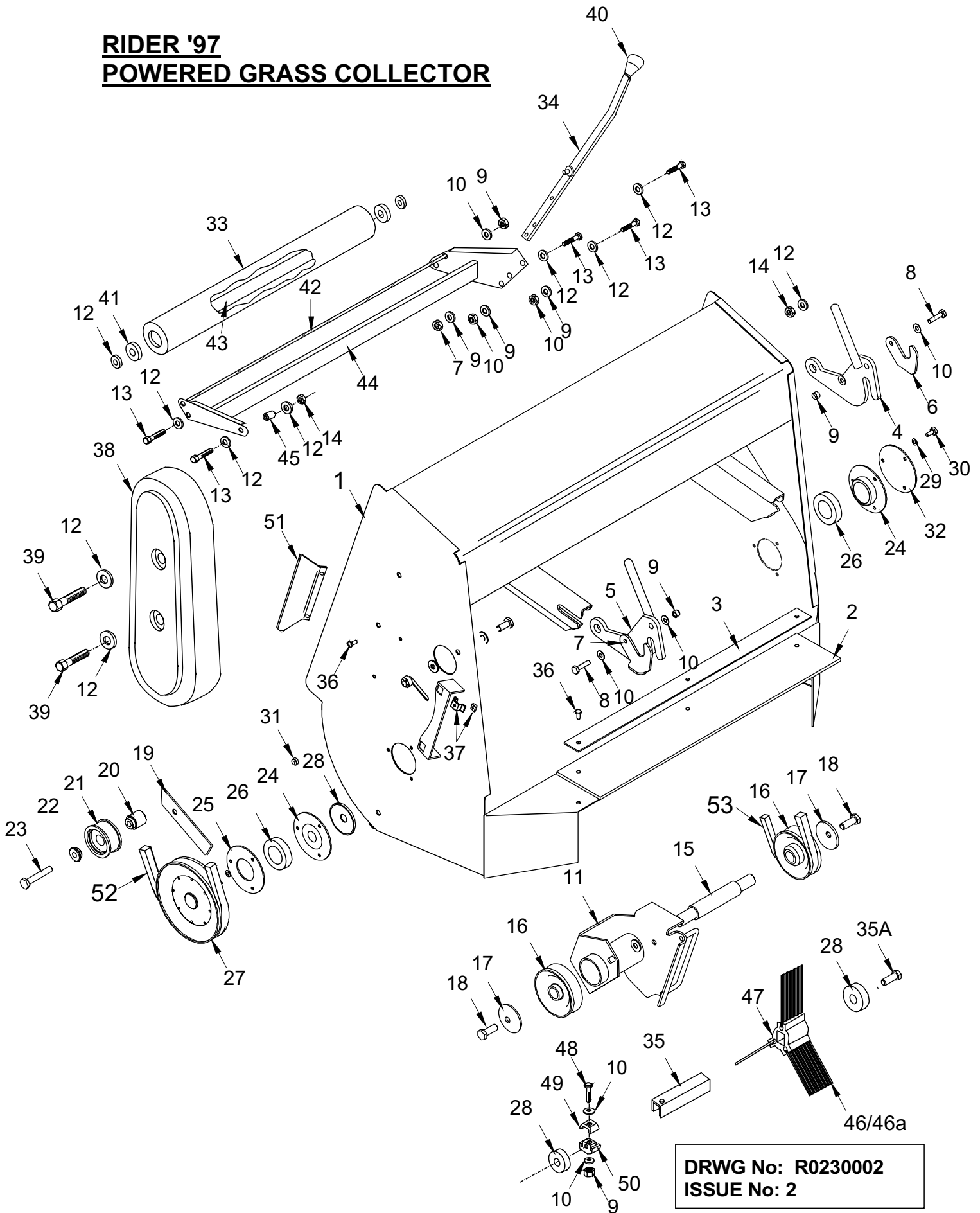
SECTION 9A



**RIDER MULCHER DECK**  
**PARTS LIST**

	PART DESCRIPTION	PART NUMBER
1.	Mulcher Deck Assembly	327019600
2.	Mulcher Deck Liner	148004100
3.	Mulcher Deck Bearing Housing Assembly	405006300
4.	Mulcher Deck Brake Bridge	301065800
5.	Deck Drive Pulley Guard	327019000
6.	Deck Drive Pulley Spacer	31328300
7.	Deck Drive Pulley	20870200
8.	Mulcher Deck Top Pulley Spacer	183015700
9.	Anti Scalp Wheel	19905500
10.	Domed Washer	088119900
11.	Rear Deck Hanging Bracket	30121300
12.	Rear Deck Hanging Bracket	30139700
13.	Deck Adjustment Bracket	30127400
14.	Deck Engage Post	202000100
15.	Scalp Wheel Hub	31337600
16.	Mulcher Deck Bearing Housing Spacer Ring	301068600
17.	Roofing Bolt M8 x 25mm	01902300
18.	Bonnet Pivot Boss	31306100
19.	Bolt 5/16" x 2.1/2"	01821100
20.	Washer M8	08819800
21.	Nut Nyloc 5/16 UNF	04827500
22.	Nut Nyloc M8	04850600
23.	Washer 5/16"	08819700
24.	Screw Hex Hd 5/16" UNF x 3/4"	02827600
25.	Screw Hex Hd 5/16" UNF x 1"	02819600
26.	Dayco Belt Super 2	22876402
27.	Screw Hex Hd 5/16" UNF x 1.3/4"	02820000
28.	Locking Tab	27111200
29.	Screw Hex Hd M8 x 12mm	028001100
30.	30" Mulcher Blade	169381100
31.	Key 1/4"sq x 1.1/4"	09853400

# **RIDER '97 POWERED GRASS COLLECTOR**



**DRWG No: R0230002  
ISSUE No: 2**

**SECTION 10**

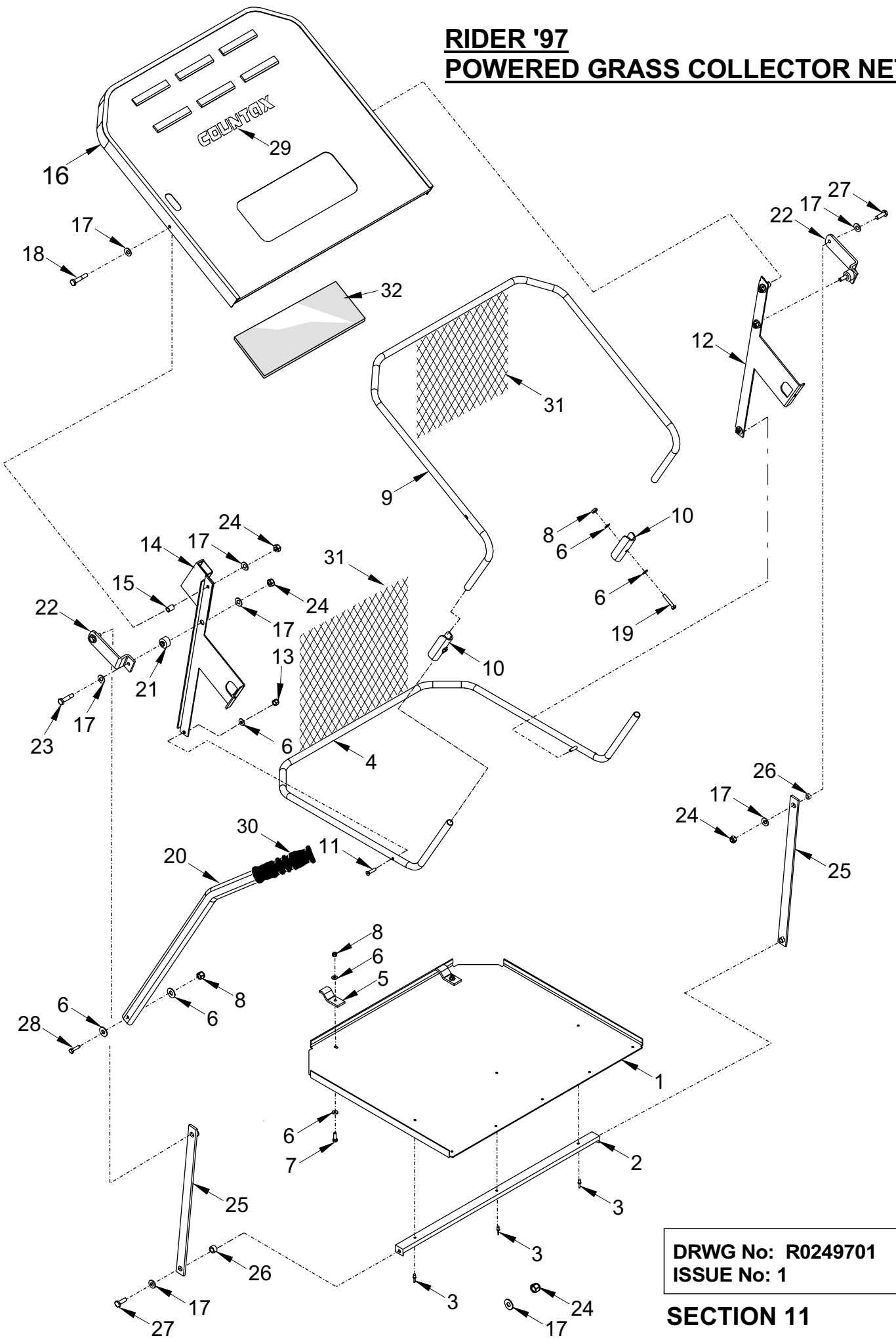
**RIDER '97  
POWERED GRASS COLLECTOR  
PARTS LIST**

	PART DESCRIPTION	PART NUMBER
1	Sweeper Body	327004400
2	Sweeper Rubber Flap	148001400
3	Sweeper Rubber Plate	301031700
4	Locking Handle L/H	27707701
5	Locking Handle R/H	27707801
6	Locking Lug L/H	30149800
7	Locking Lug R/H	30150300
8	Set Screw 1/4" x 1" UNF	02857600
9	Nyloc Nut 1/4" UNF	04819400
10	Washer 1/4" T3 LP	08827800
11	Bearing Housing Assembly	327004300
12	Washer 5/16" T4 HP	08819500
13	Set Screw 5/16" x 3/4" UNF	02827600
14	Nyloc Nut 5/16" UNF	04827500
15	Idler Shaft	18309800
16	3" Pulley Assembly	20870800
17	Dome Washer	08819900
18	Set Screw 3/8" x 1" UNF	02869400
19	Cover Plate	30126000
20	Jockey Spacer Plate	31350400
21	2" Plastic Idler Pulley	20880800
22	Jockey Cap Boss	31351100
23	Bolt 5/16" x 2" UNF	01820900
24	Bearing Housing 17mm	27106600
25	Idler Shaft Bearing Plate	30126200
26	Bearing 17mm	10845500
27	5" Brush Stock Pulley Assembly	327002600
28	Slinger	30121800
29	Washer M5	08911500
30	Set Screw M5 x 12mm	01942500
31	Nyloc Nut M5	04885900
32	Bearing Cup	30117500
33	Roller	327002700
34	Height Adjustment Lever	32734200
35	Brush Stock Spindle Short	31323900
35A	Brush Stock Spindle	31350100
36	Pop Rivet 4.8 x 16mm	12860100
37	Captive Nut M8	04825800
38	Plastic Pulley Cover	14880200
39	Bolt 5/16" x 2.1/2"	01821100
40	Lever Knob	14804800

**RIDER '97  
POWERED GRASS COLLECTOR  
PARTS LIST**

	PART DESCRIPTION	PART NUMBER
41	Bearing 6203 3RS	10811600
42	Wire Scraper	528000400
43	Roller Shaft Internal	31329100
44	Roller Housing	32730000
45	Roller Plate Brush	31329200
46	Sweeper Bristle (webbed)	14936300
46a	Sweeper Bristle (non-webbed)	14898100
47	Bristle Boss	14833000
48	Bolt 1/4" UNF x 1.3/4"	01832400
49	Brush Drive Moulding - Top	14834100
50	Brush Drive Moulding - Bottom	14832900
51	Deck Grass Deflector Bracket	301013200
52	Belt A47 Delco Super 2	22898000
53	Belt SPZ762	22879900

**RIDER '97**  
**POWERED GRASS COLLECTOR NET**



DRWG No: R0249701  
ISSUE No: 1

**SECTION 11**

**RIDER '97  
POWERED GRASS COLLECTOR NET  
PARTS LIST**

	PART DESCRIPTION	PART NUMBER
1	Galvanised Floor	301007600
2	Floor Brace	321000500
3	Rivet	12847900
4	Bag Frame Bottom	174001900
5	Floor Clamping Plate	301008400
6	Washer 1/4"	08827800
7	Set Screw 1/4" X 3/4" UNF	02827700
8	Nyloc Nut 1/4" UNF	04819400
9	Bag Frame Top	174001800
10	Bag Frame Clamping Plate	30149600
11	Screw M6 X 30mm C/Sunk	018000100
12	L/H Goalpost	327003100
13	Nyloc Nut M6	04920500
14	R/H Goalpost	301008300
15	Bag Lid Spacer	48309100
16	Bag Lid Assembly	327003200
17	Washer 5/6" T4	08819700
18	Bolt 5/16" X 1 3/4" UNF	01820800
19	Bolt 1/4" X 1 1/2" UNF	01820500
20	Bag Tipping Handle	174001600
21	Bag Pivot Spacer	183002700
22	Link Plate	301008100
23	Bolt 5/16" X 1 1/2" UNF	01820700
24	Nyloc Nut 5/16" UNF	04827500
25	Link Arm	301008200
26	Spacer	31302800
27	Set Screw 5/16" X 1"	02819600
28	Bolt 1/4" x 1.1/4" UNF	01820400
29	Decal (Countax)	35894300
30	Net Tipping Foam Grip	38936500
31	Net	52877800
32	Window	40504200